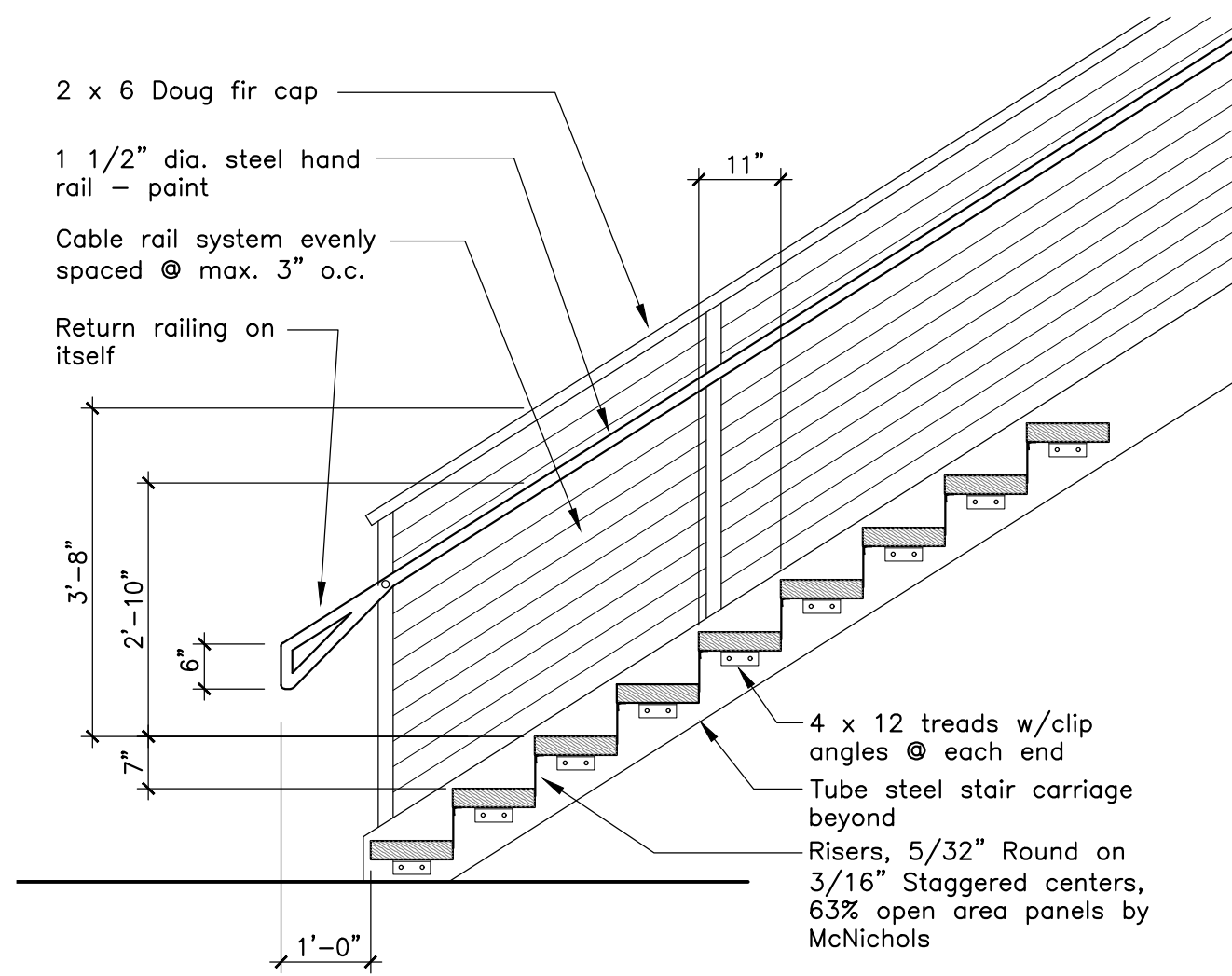
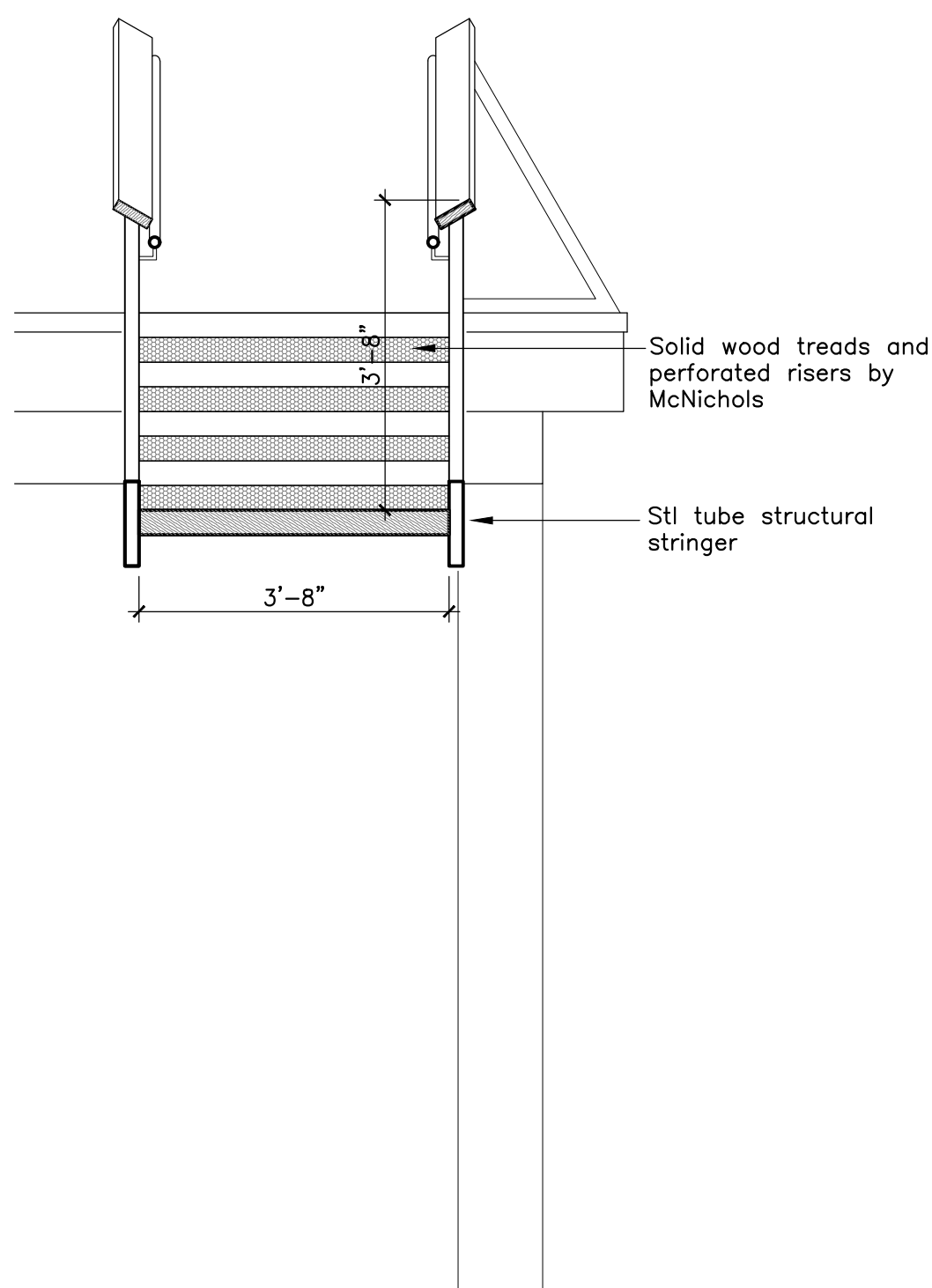


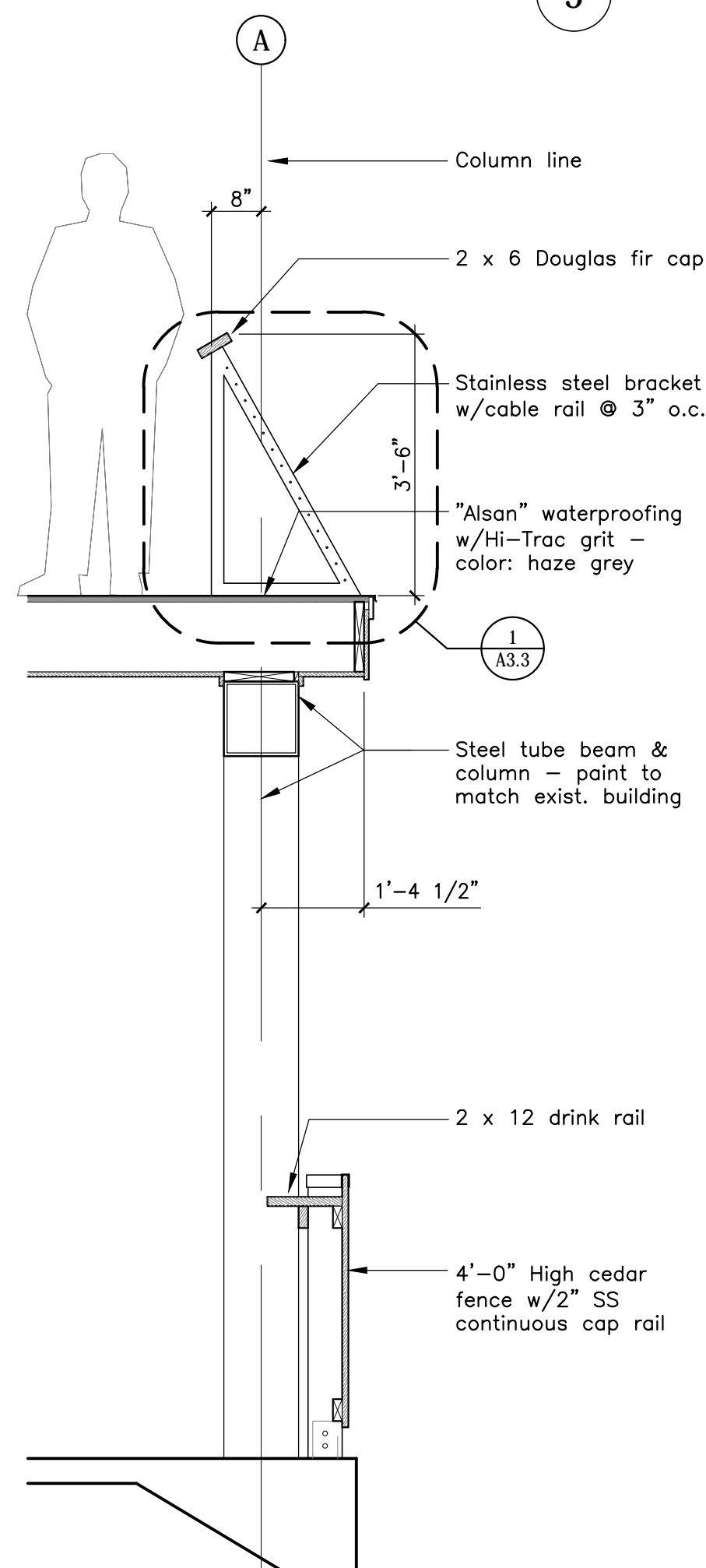
7 Stair Section
Scale: 1/2" = 1'-0"



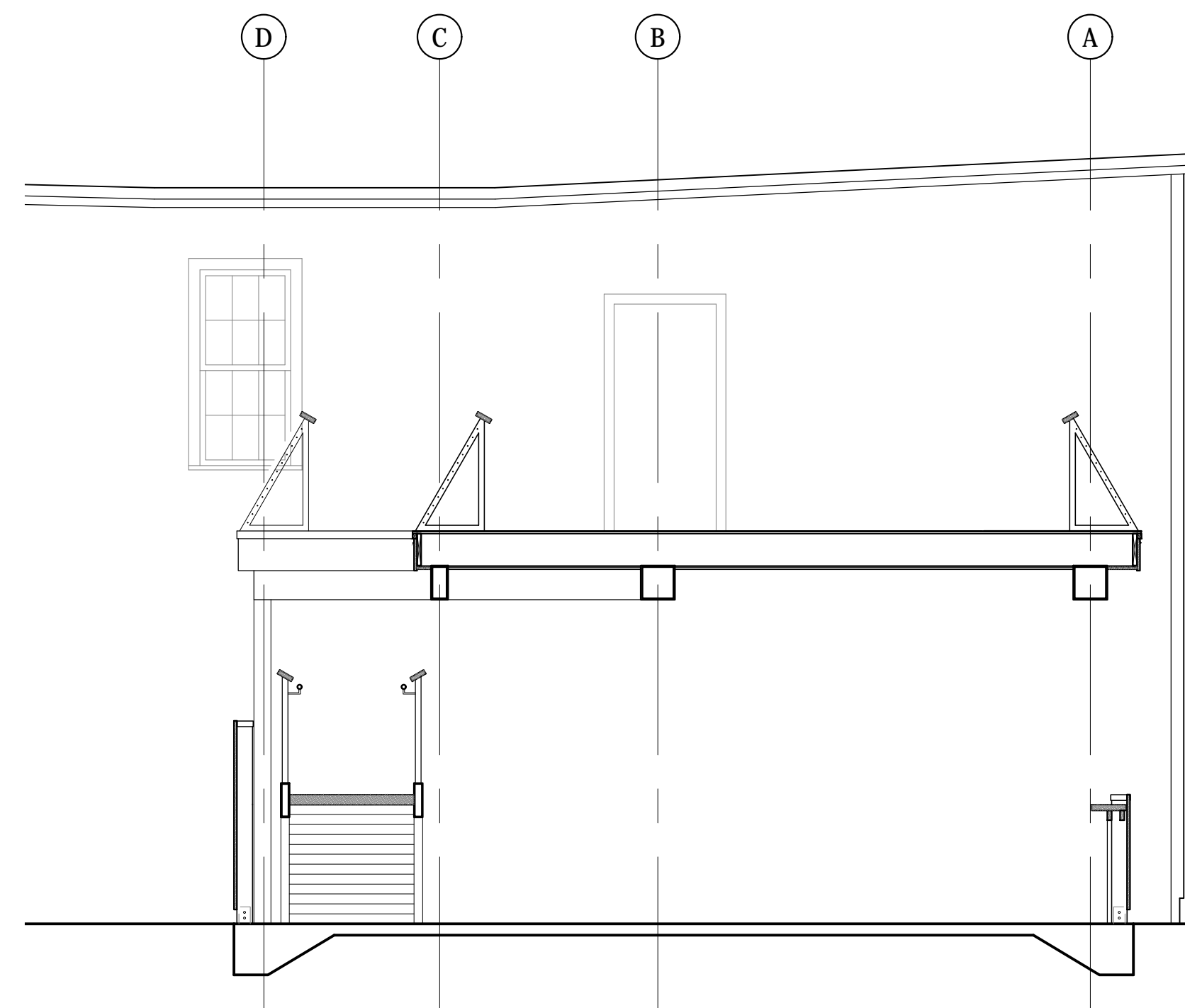
6 Stair Section
Scale: 1/2" = 1'-0"



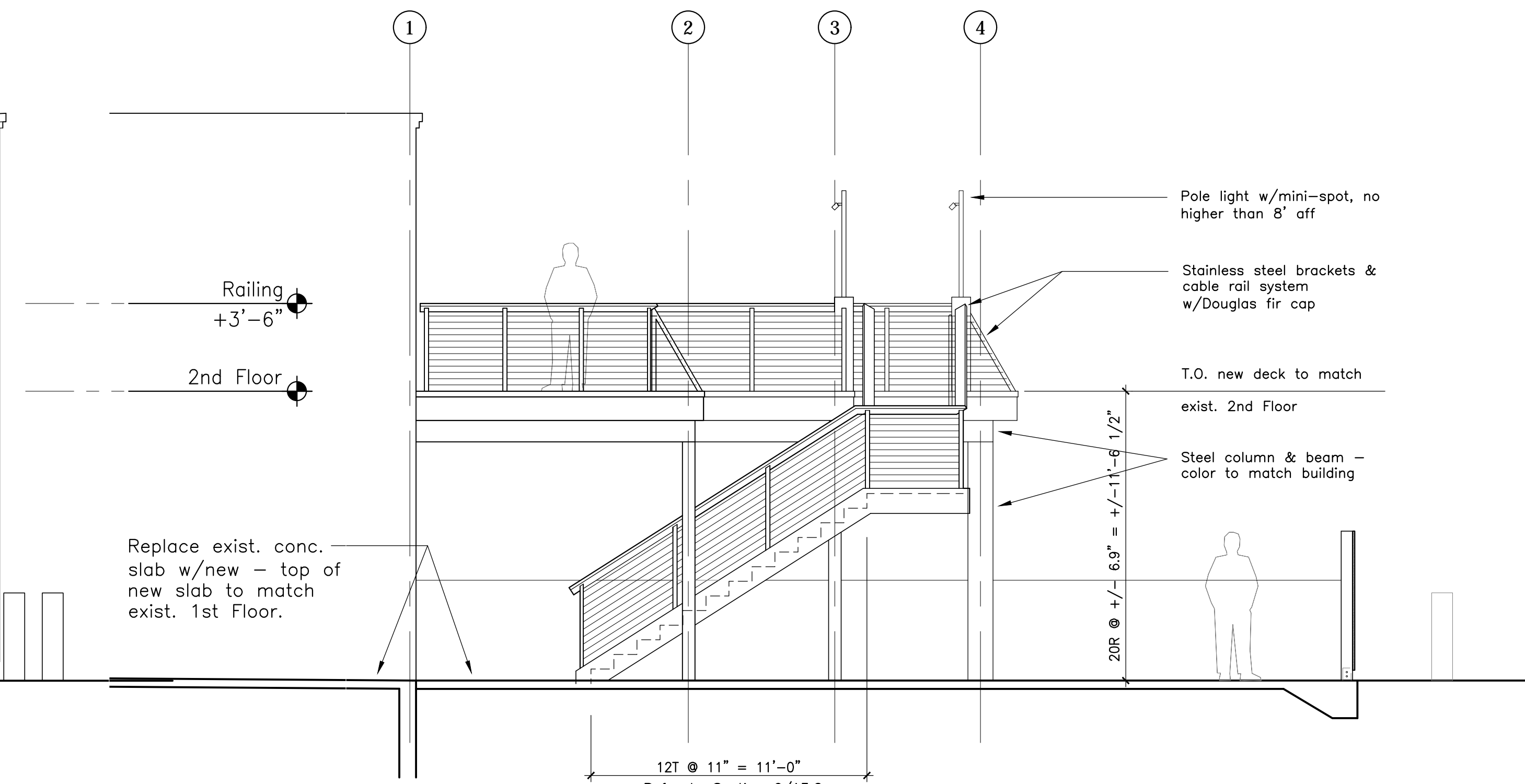
4 Stair Section
Scale: 1/2" = 1'-0"



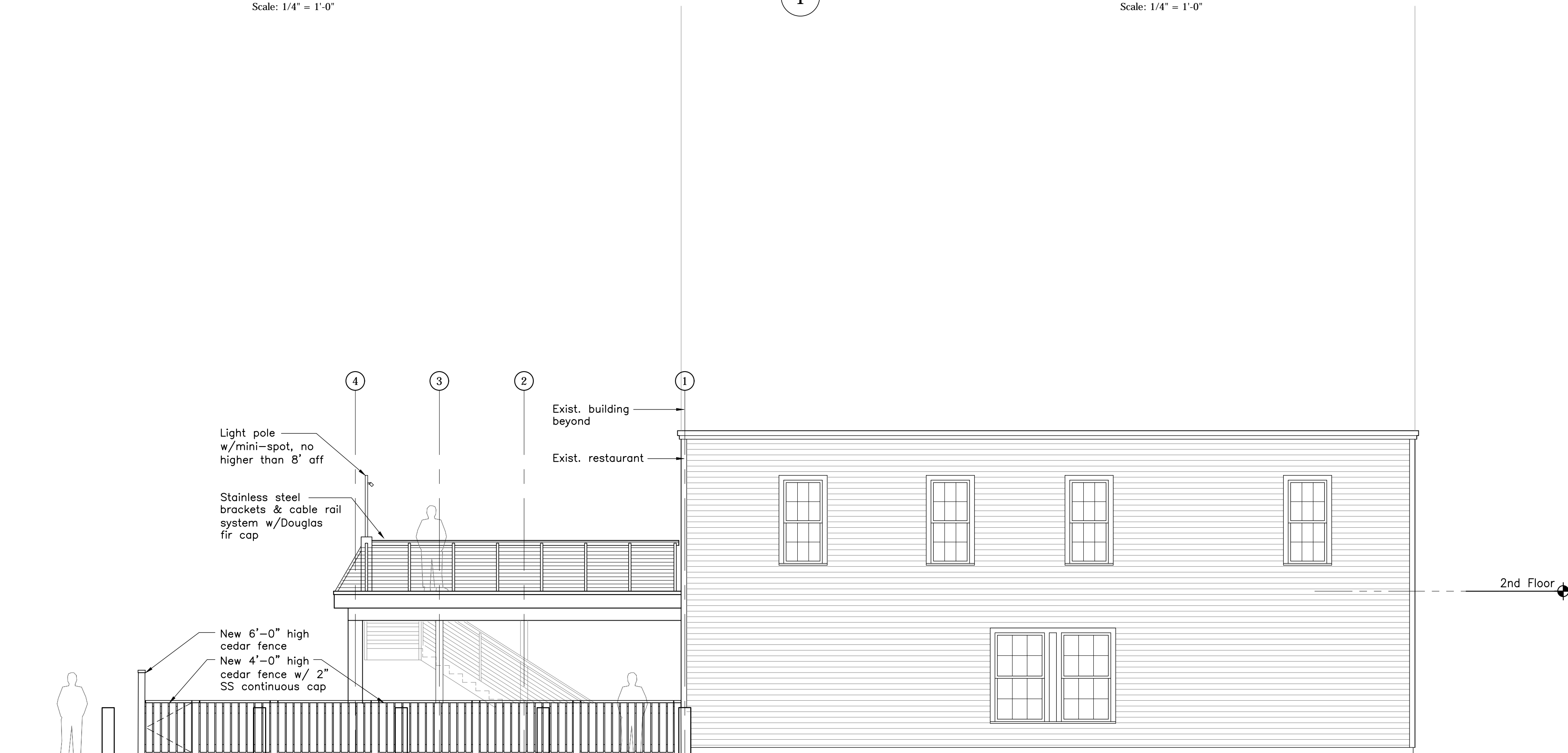
3 Railing Section
Scale: 1/2" = 1'-0"



5 Deck Section
Scale: 1/4" = 1'-0"



1 Proposed South Elevation
Scale: 1/4" = 1'-0"



2 Proposed Wharf Street Elevation
Scale: 3/16" = 1'-0"

Scale: 3/16" = 1'-0"