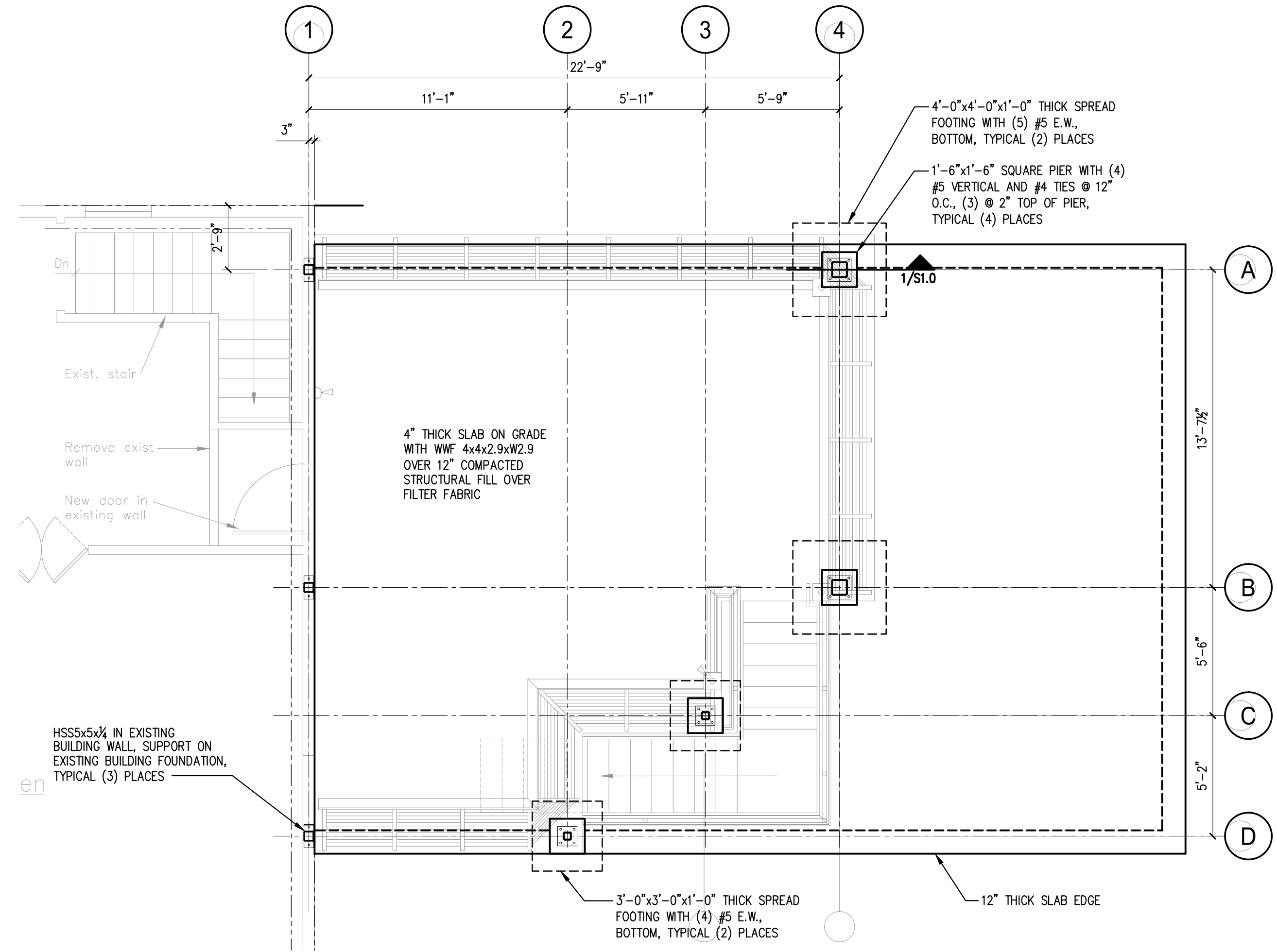
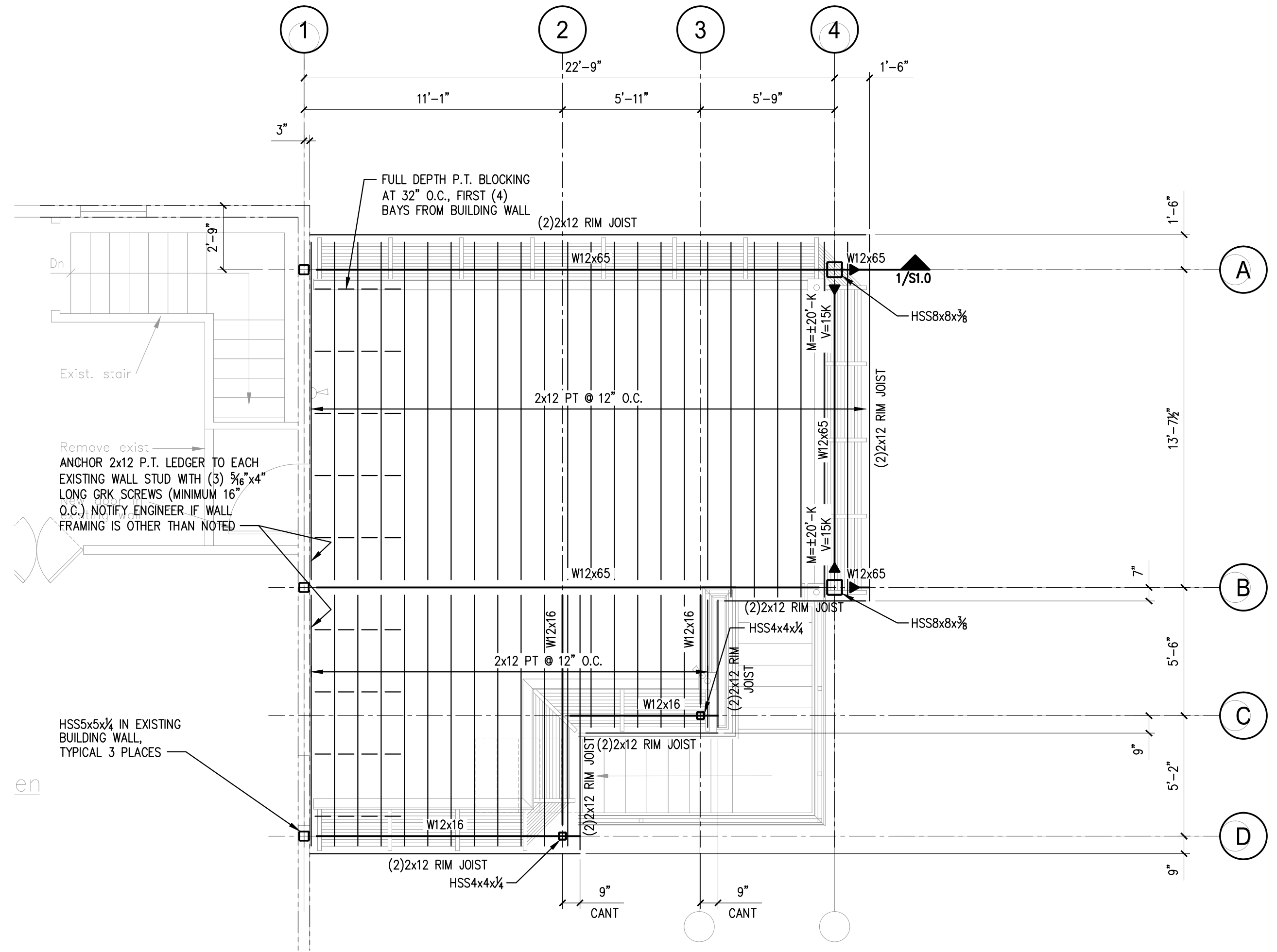


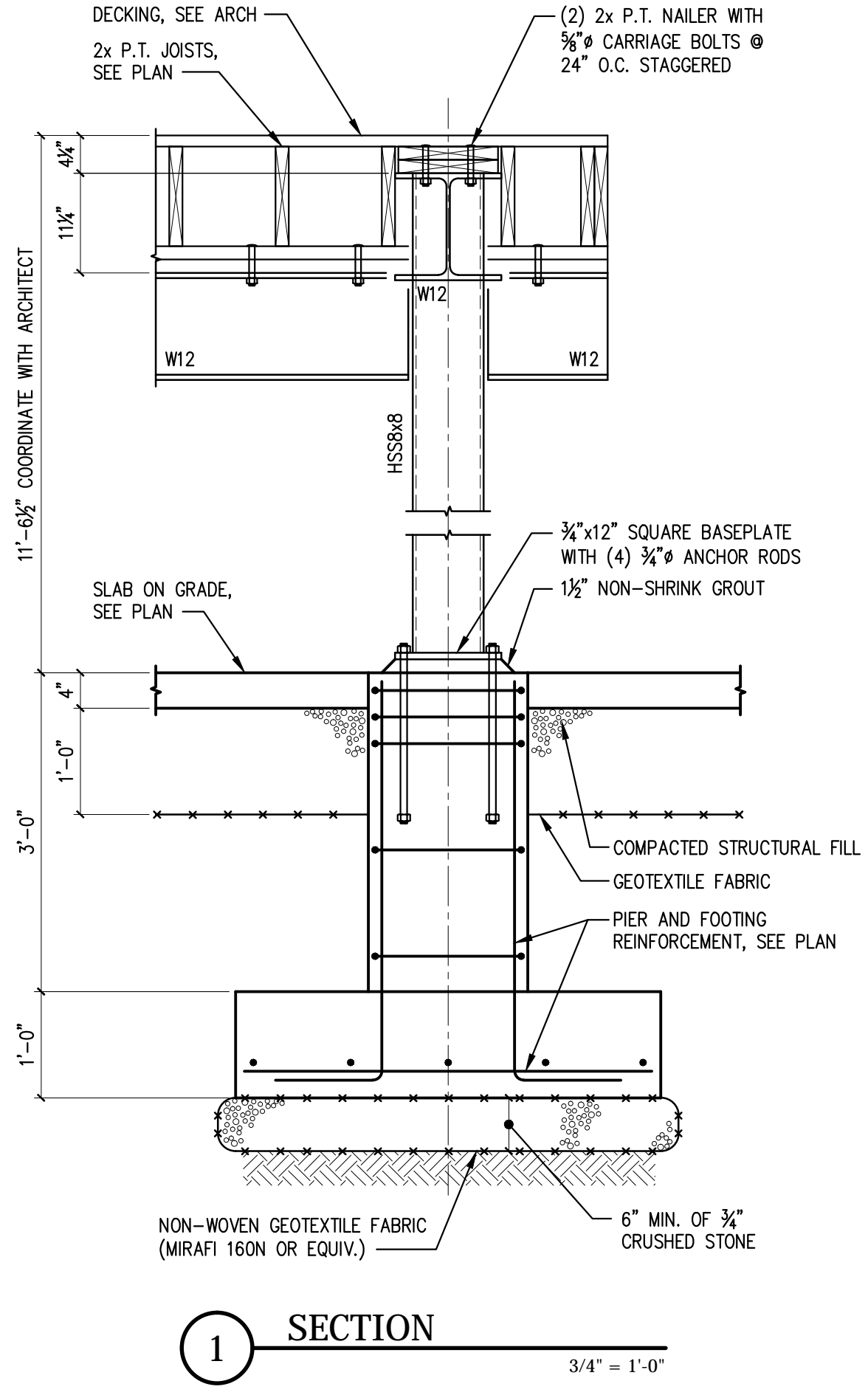
PLAN NORTH



DECK FOUNDATION PLAN  
SCALE: 1/4" = 1'-0"

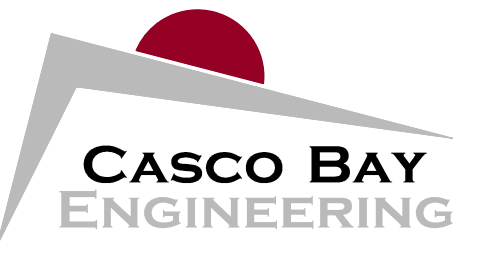


DECK FRAMING PLAN  
SCALE: 1/4" = 1'-0"



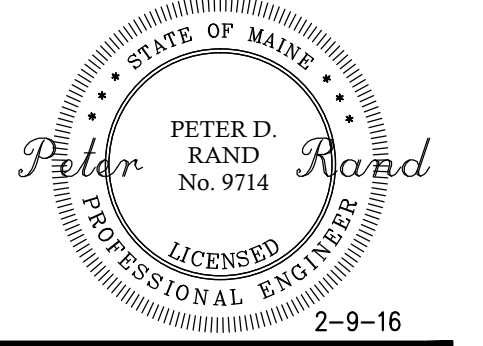
SECTION 1  
3/4" = 1'-0"

PRINTED: Feb 09, 2016



424 Fore Street  
Portland, ME 04101  
Phone 207.842.2800  
Fax 207.842.2828  
www.cascobayengineering.com

CLIENT:  
DAVID MATERO  
ARCHITECTURE  
100 FRONT STREET, SUITE 40  
BATH, ME 04530



AMIGO'S MEXICAN BAR & RESTAURANT  
9 DANA STREET  
PORTLAND, MAINE

COMMERCIAL DECK

No.	ISSUED DESCRIPTION	DR.	CHK.	BY	DATE
0	PRELIMINARY				11-09-15
1	ISSUED FOR PERMIT				2-9-16

SHEET TITLE:  
**FOUNDATION AND DECK FRAMING PLANS**

DESIGNED: ED  
DRAWN: CD  
DATE: 10-09-15  
PROJECT NUMBER: 15-189

**S1.0**