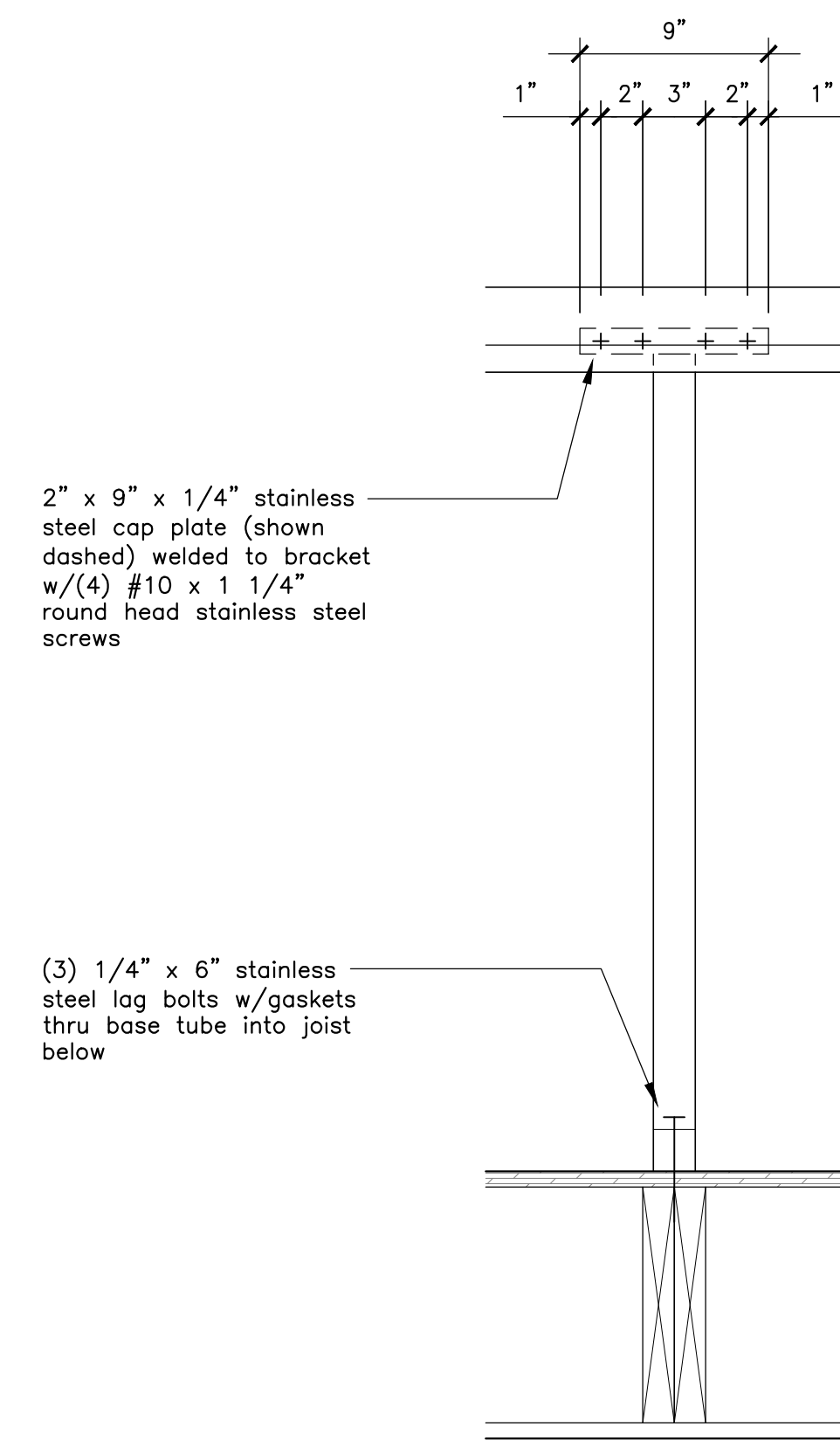


2 Detail @ Edge of Deck

Scale: 1 1/2" = 1'-0"



1 Detail @ Railing

Scale: 1 1/2" = 1'-0"

