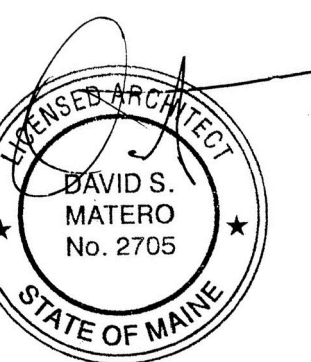


Amigos Mexican
Restaurant &
Bar
Roof Deck &
Patio

9 Dana Street
Portland, Maine 04101

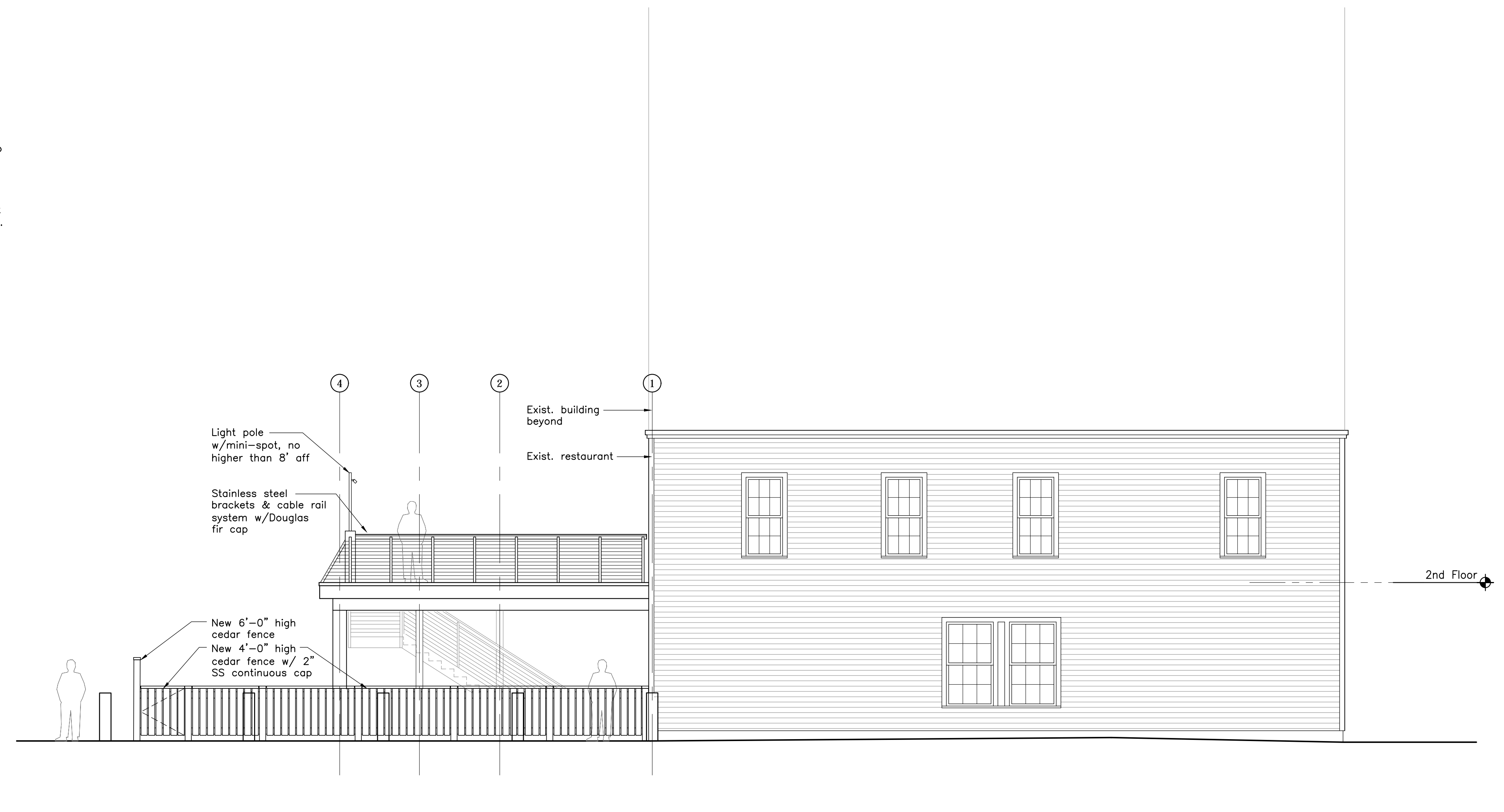
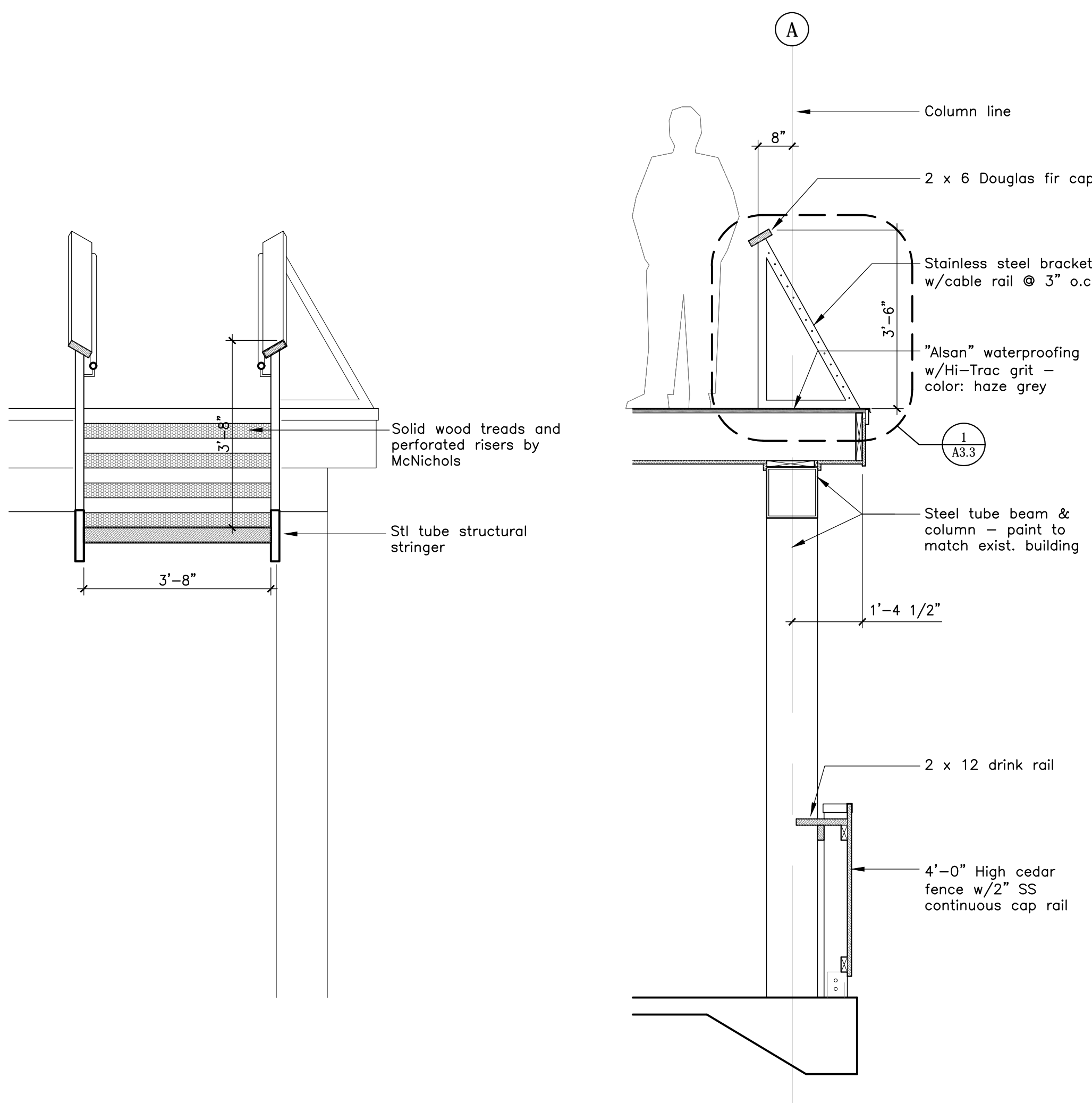
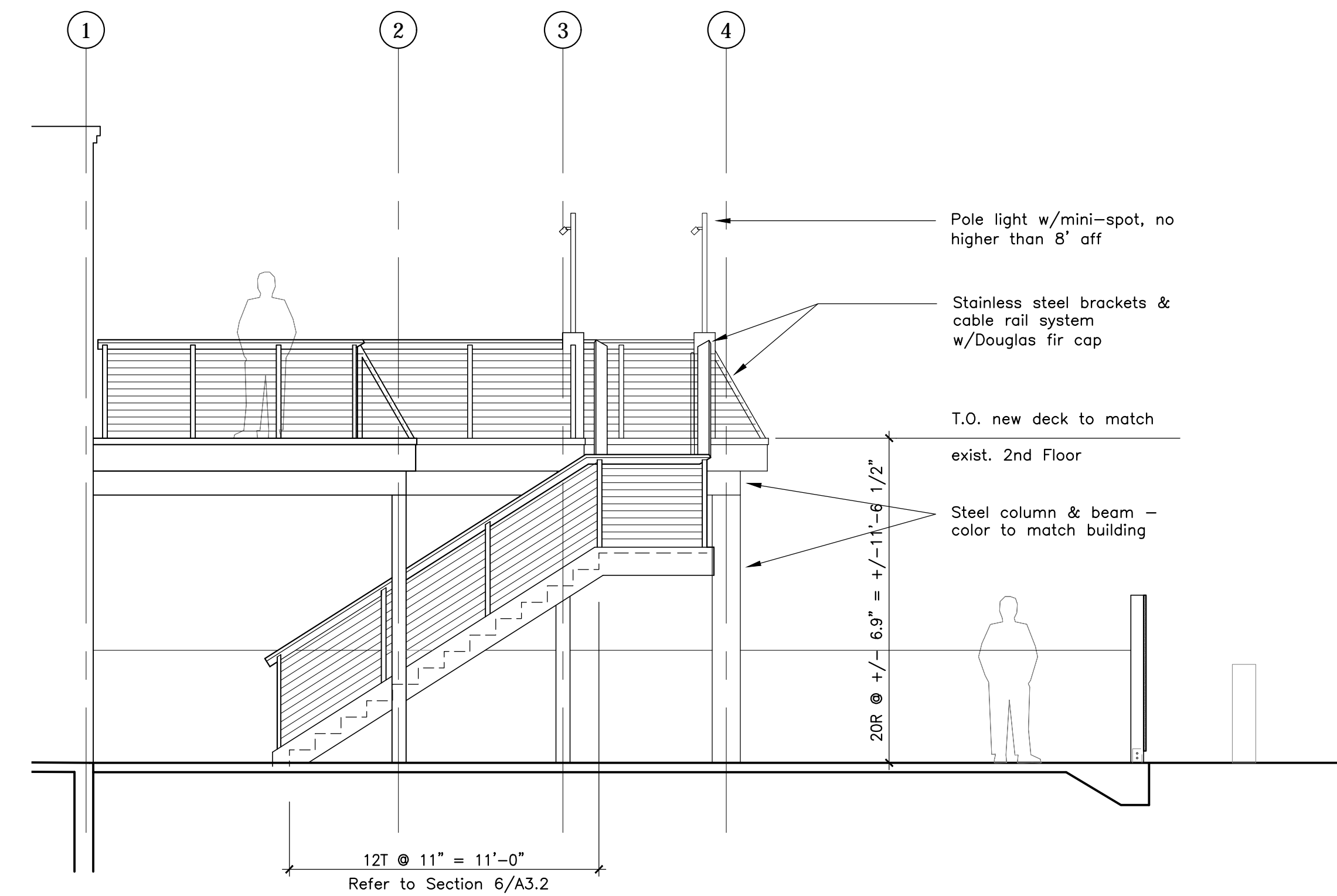
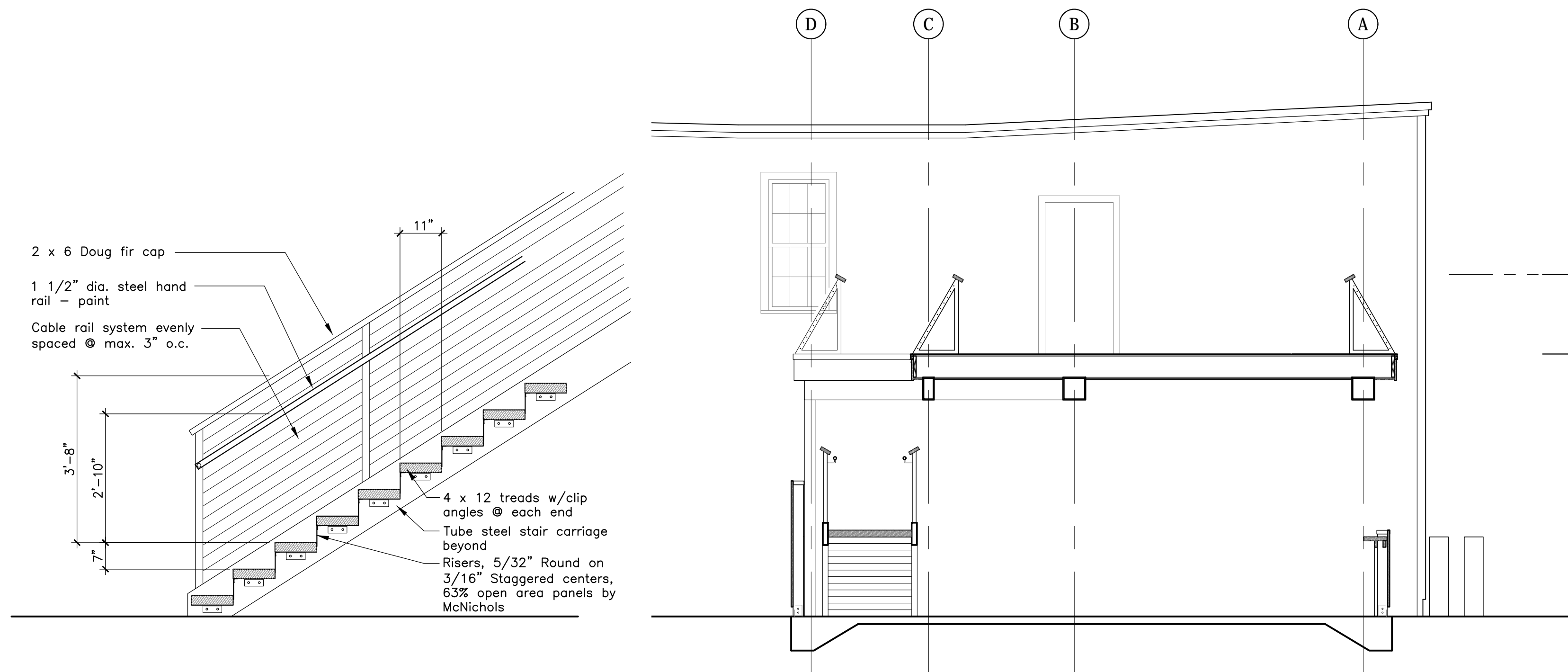


Job Number: 15.000
Date: 12.28.15
Scale: As Noted
Drawing Title:

Proposed
Building
Elevations
and
Sections

A3.2

Issued for
Permit



4 Stair Section
Scale: 1/2" = 1'-0"

3 Railing Section
Scale: 1/2" = 1'-0"

2 Proposed Wharf Street Elevation
Scale: 3/16" = 1'-0"