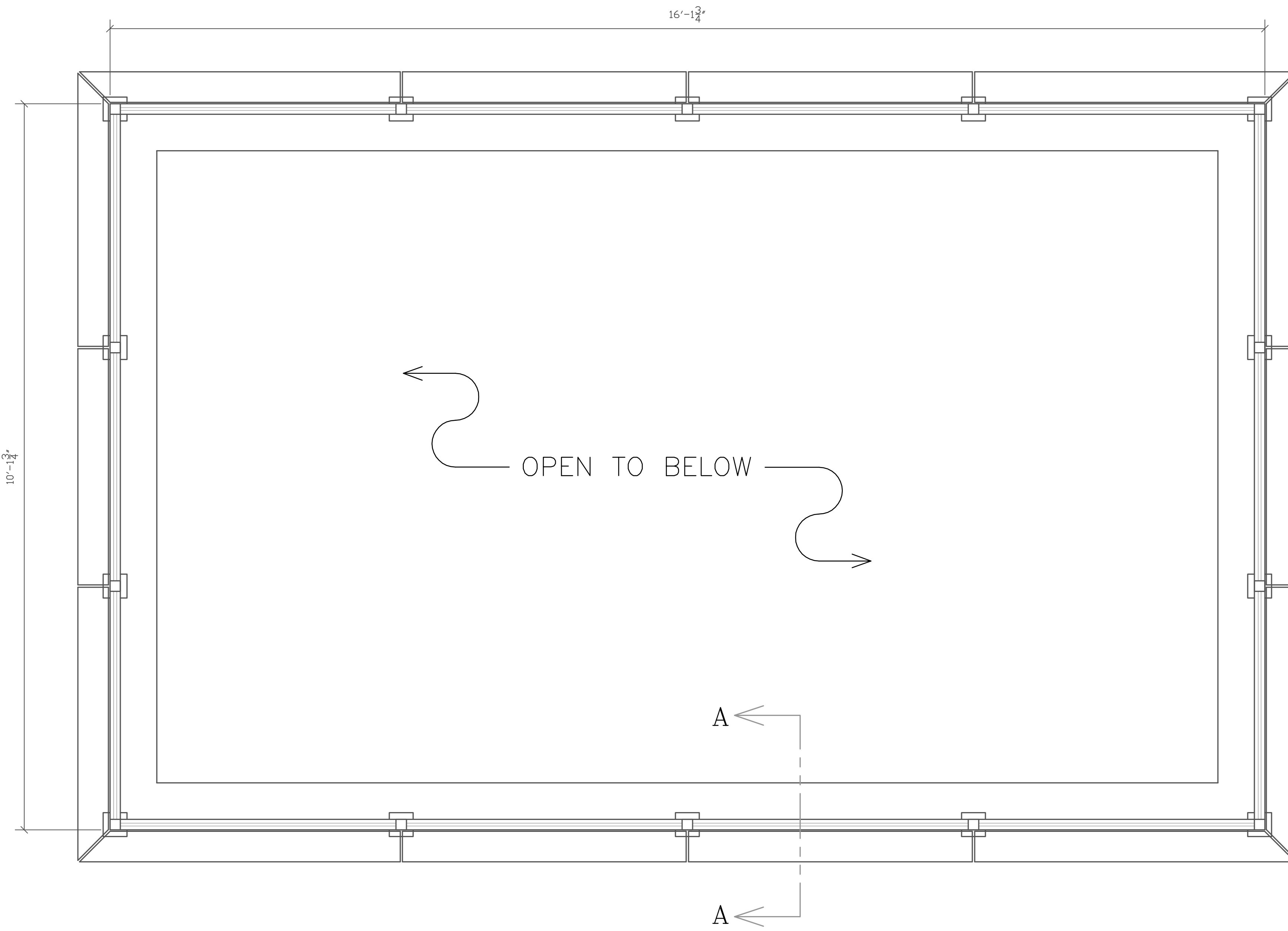


AD&W
P.O. BOX 910
865 SPRING ST.
WESTBROOK, ME 04098
PHONE: 207-879-7800
FAX: 207-774-3982

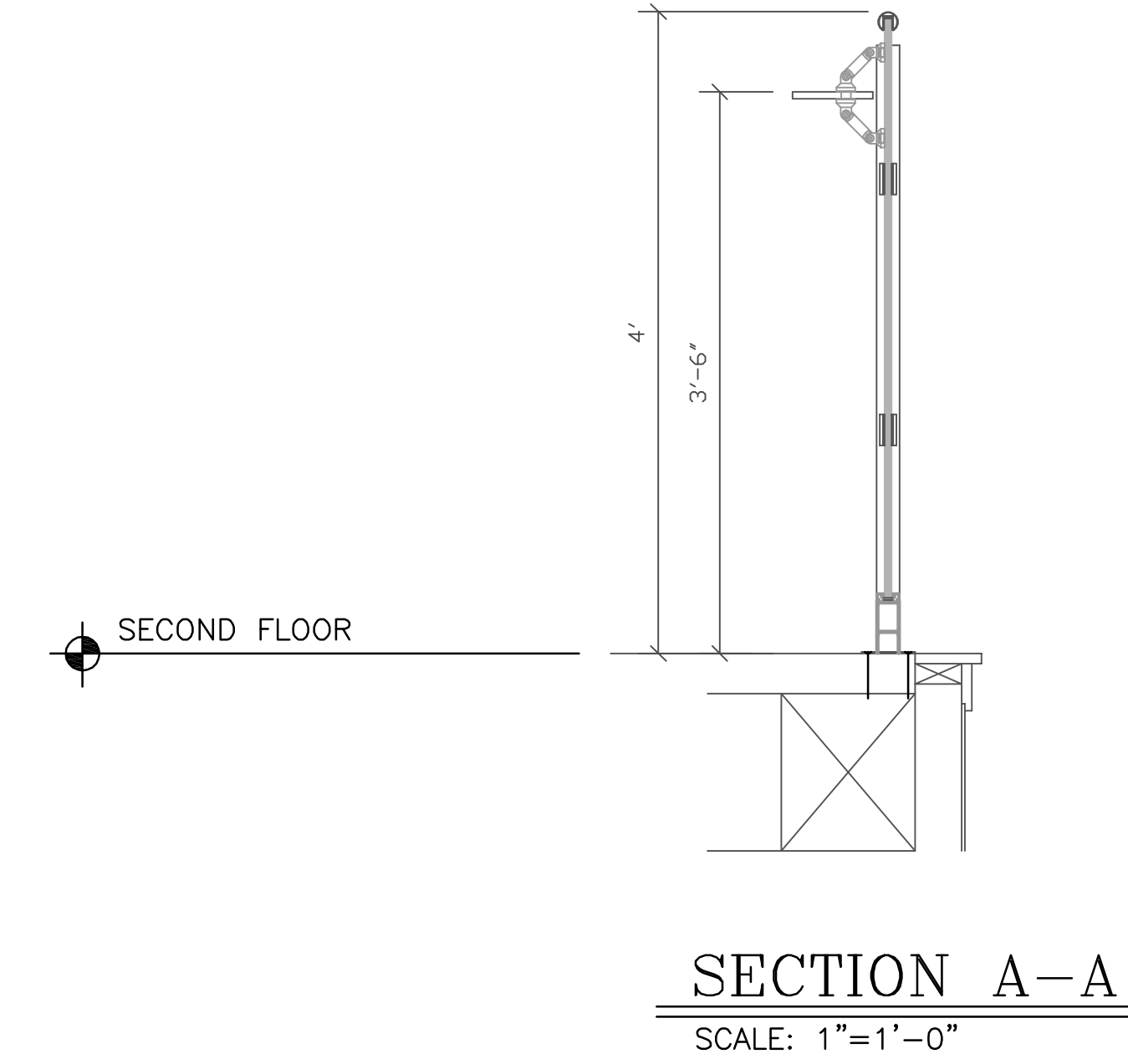
LAST REVISED: 2/8/16

AD&W
ARCHITECTURAL DOORS & WINDOWS

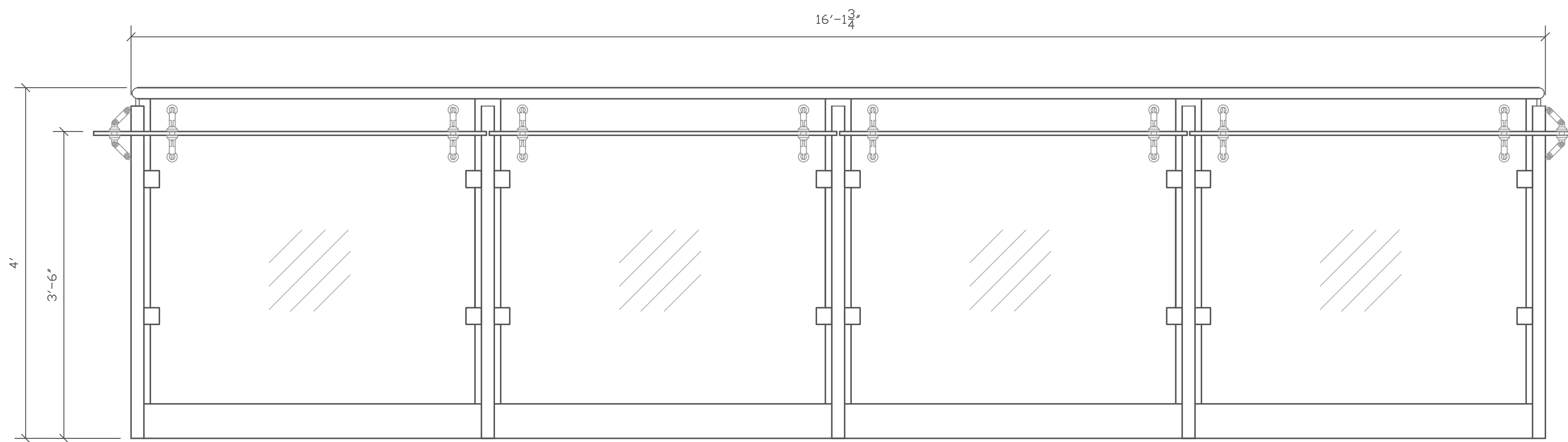
JOB NAME: PEARL TAP HOUSE



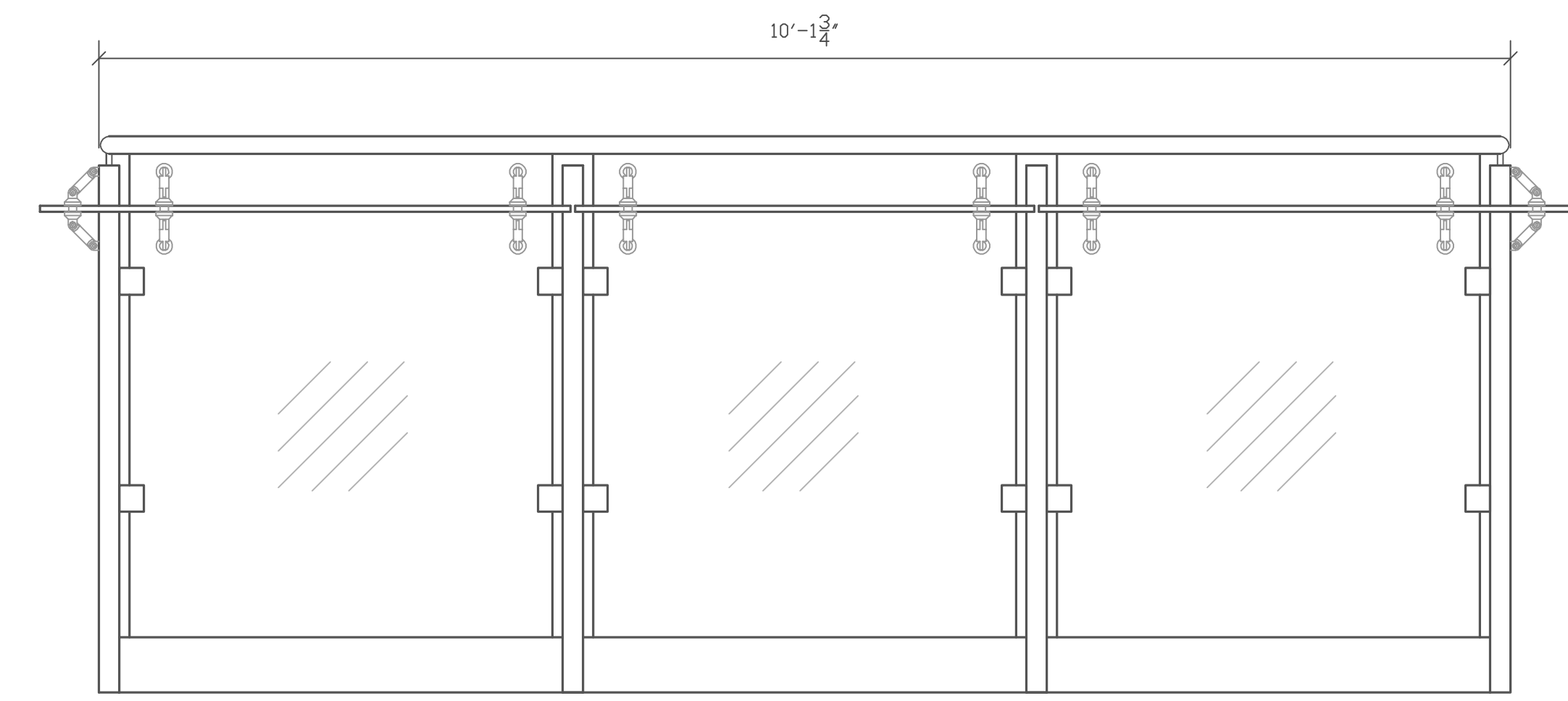
PLAN VIEW
SCALE: 1"=1'-0"



SECTION A-A
SCALE: 1"=1'-0"



SIDE ELEVATION
SCALE: 1"=1'-0"



END ELEVATION
SCALE: 1"=1'-0"

ABBREVIATIONS:

M.O.- MASONRY OPENING
F.O.- FINISHED OPENING
D.O.- DOOR OPENING
S.O.- STEEL OPENING
A.F.F.- ABOVE FINISHED FLOOR
DIM.- DIMENSION
C- CENTER LINE
F.S.- FRAME SIZE
W.S.- WINDOW SIZE
REQ'D- REQUIRED
CLR.- CLEAR
B.O.S.- BOTTOM OF STEEL
T.O.S.- TOP OF STEEL
NTS - NOT TO SCALE

SYMBOLS:

ELEVATION NUMBER
SHEET NUMBER
 DETAIL NUMBER
SHEET NUMBER

REVISIONS:

NO.	DATE:	DESCRIPTION:	NO.	DATE:	DESCRIPTION:
1			1		
2			2		
3			3		
4			4		
5			5		
6			6		

JOB NAME: PEARL TAP HOUSE
PORTLAND, ME

ARCHITECT:

CONTRACTOR:

DATE:
2/8/16

SCALE:
1"=1'-0"

DRAWN BY:
R.L. HUNTLEY

SHEET NUMBER

1 OF 1