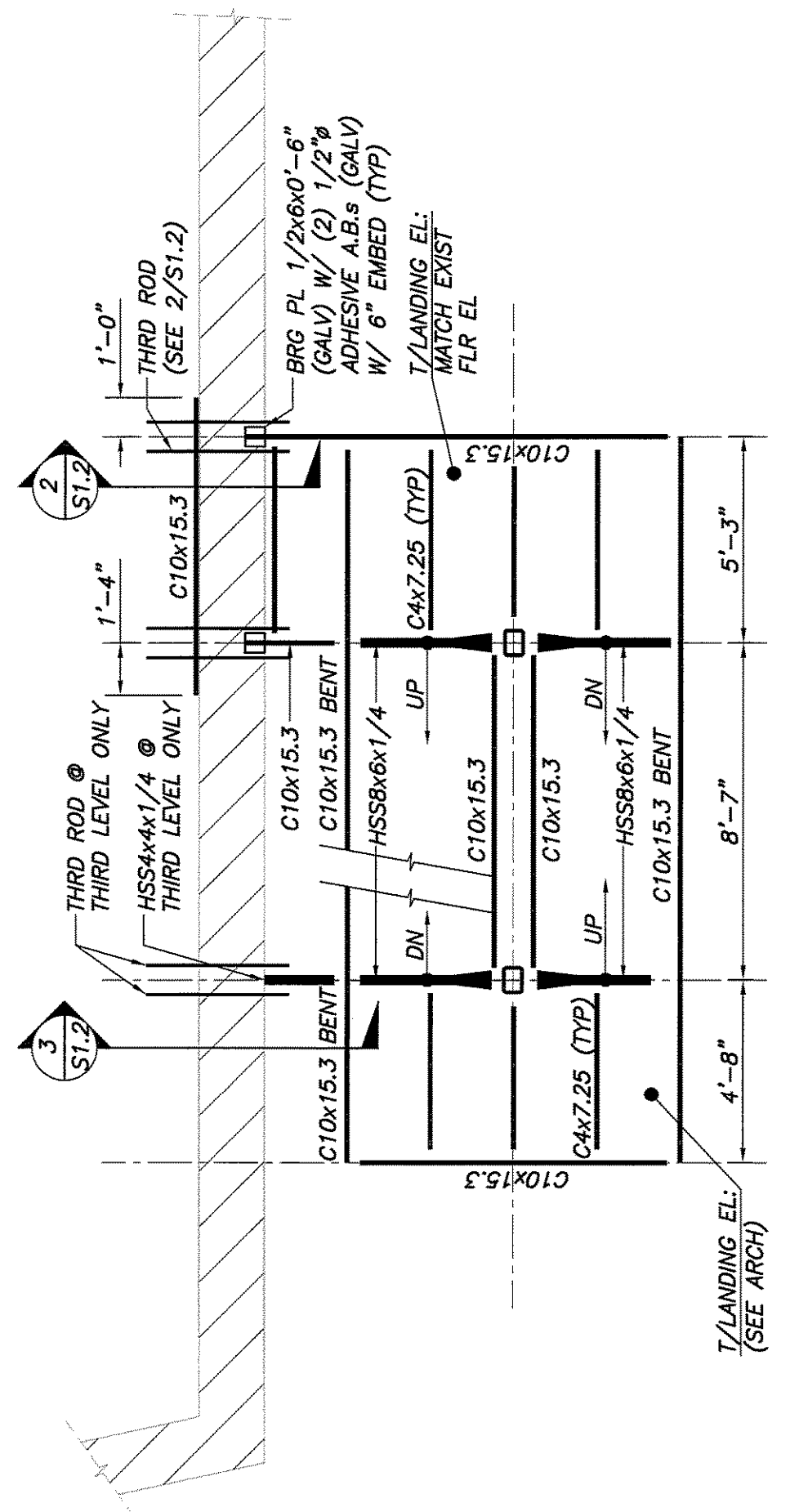


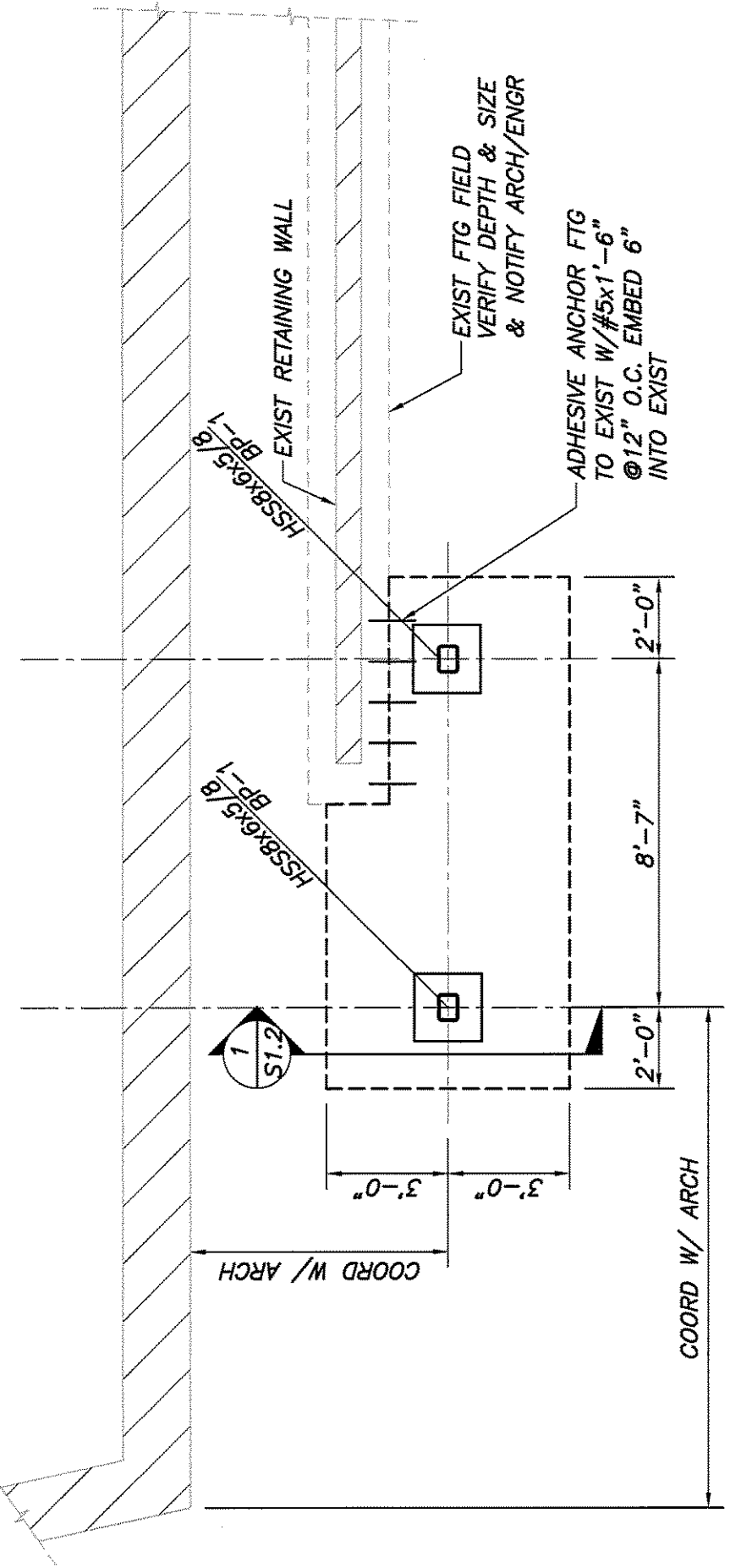
FIRST FLOOR STAIR LANDING PLAN  
1/4"=1'-0"

- NOTES:
1. COORDINATE STAIR LAYOUT (GEOMETRY, RISE/RUN, ETC WITH ARCH DIMS.
  2. ALL STRUCTURAL STEEL CONNECTORS ETC SHALL BE HOT DIPPED
  3. COORDINATE TREAD RISER AND LANDING MATERIALS WITH ARCH DIMS.
  4. DIMS. INDICATES MOMENT CONNECTION.
  5. SEE ARCH DIMS FOR ALL WALL INFO.



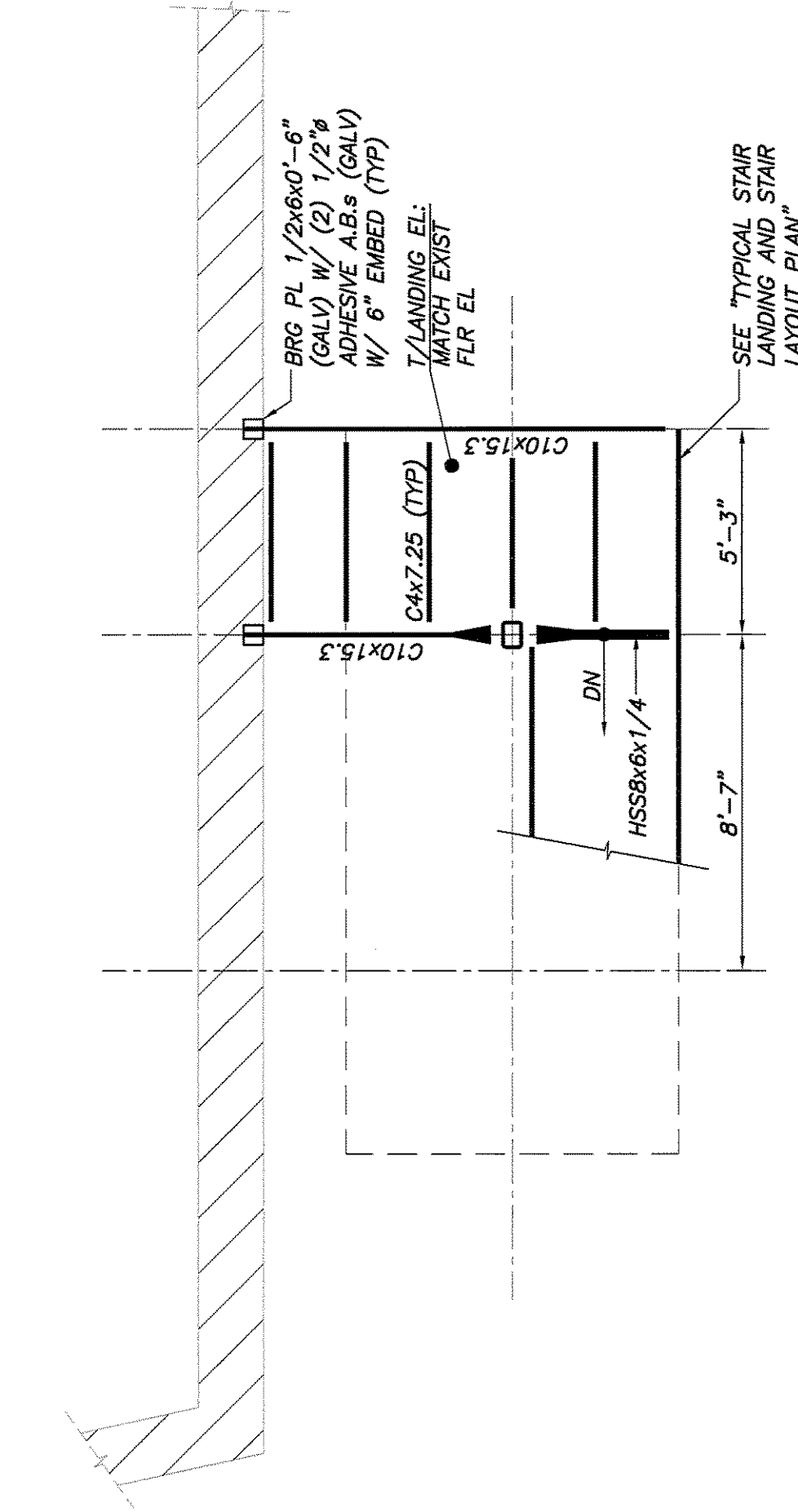
TYPICAL STAIR LANDING AND STAIR LAYOUT PLAN  
1/4"=1'-0"

- NOTES:
1. COORDINATE STAIR LAYOUT (GEOMETRY, RISE/RUN, ETC WITH ARCH DIMS.
  2. ALL STRUCTURAL STEEL CONNECTORS ETC SHALL BE HOT DIPPED
  3. COORDINATE TREAD RISER AND LANDING MATERIALS WITH ARCH DIMS.
  4. DIMS. INDICATES MOMENT CONNECTION.
  5. SEE ARCH DIMS FOR ALL WALL INFO.



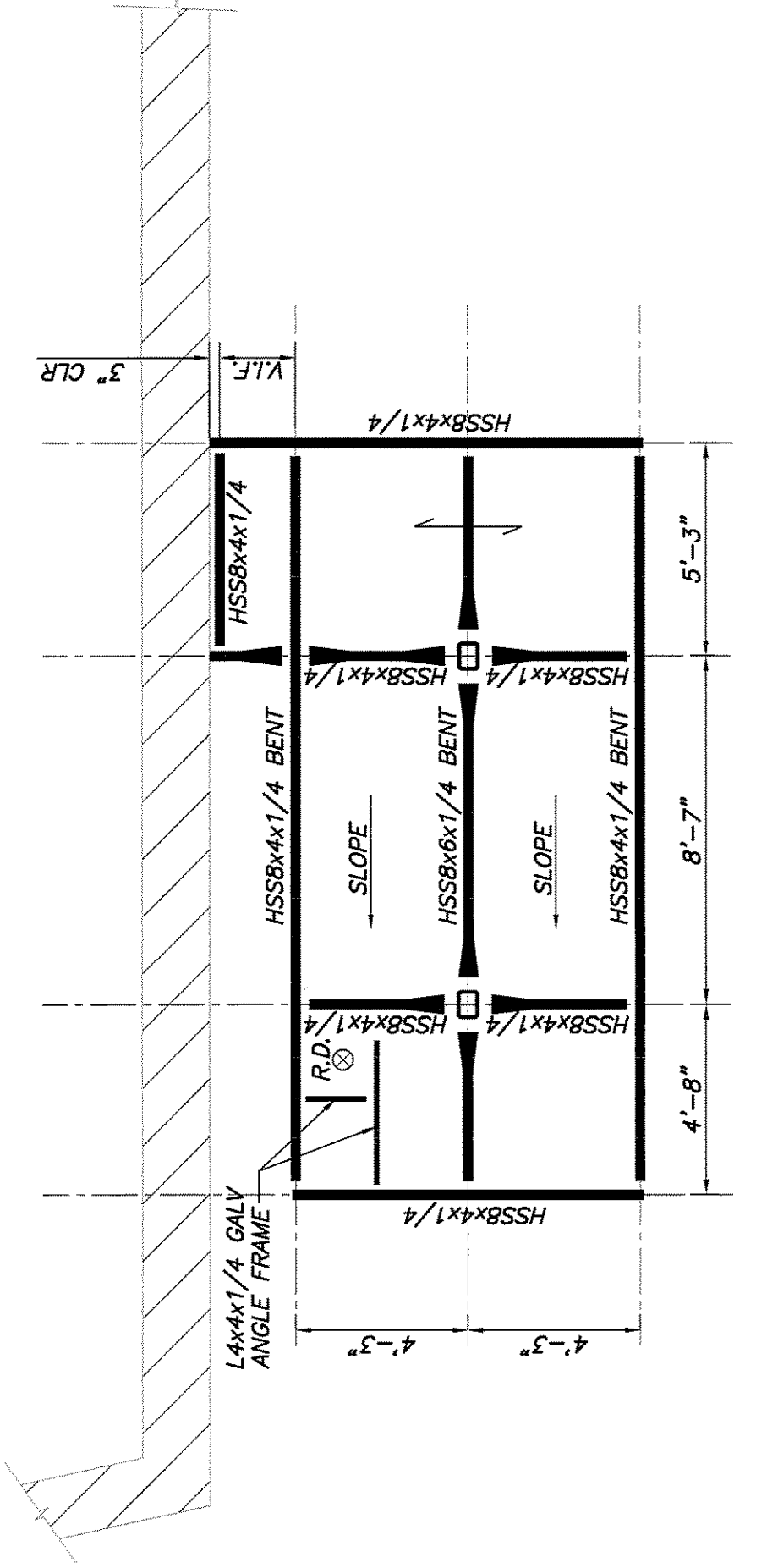
STAIR FOUNDATION PLAN  
1/4"=1'-0"

- NOTES:
1. COORDINATE STAIR LAYOUT (GEOMETRY, RISE/RUN, ETC WITH ARCH DIMS.
  2. ALL STRUCTURAL STEEL CONNECTORS ETC SHALL BE HOT DIPPED
  3. COORDINATE TREAD RISER AND LANDING MATERIALS WITH ARCH DIMS.
  4. DIMS. INDICATES MOMENT CONNECTION.
  5. SEE ARCH DIMS FOR ALL WALL INFO.



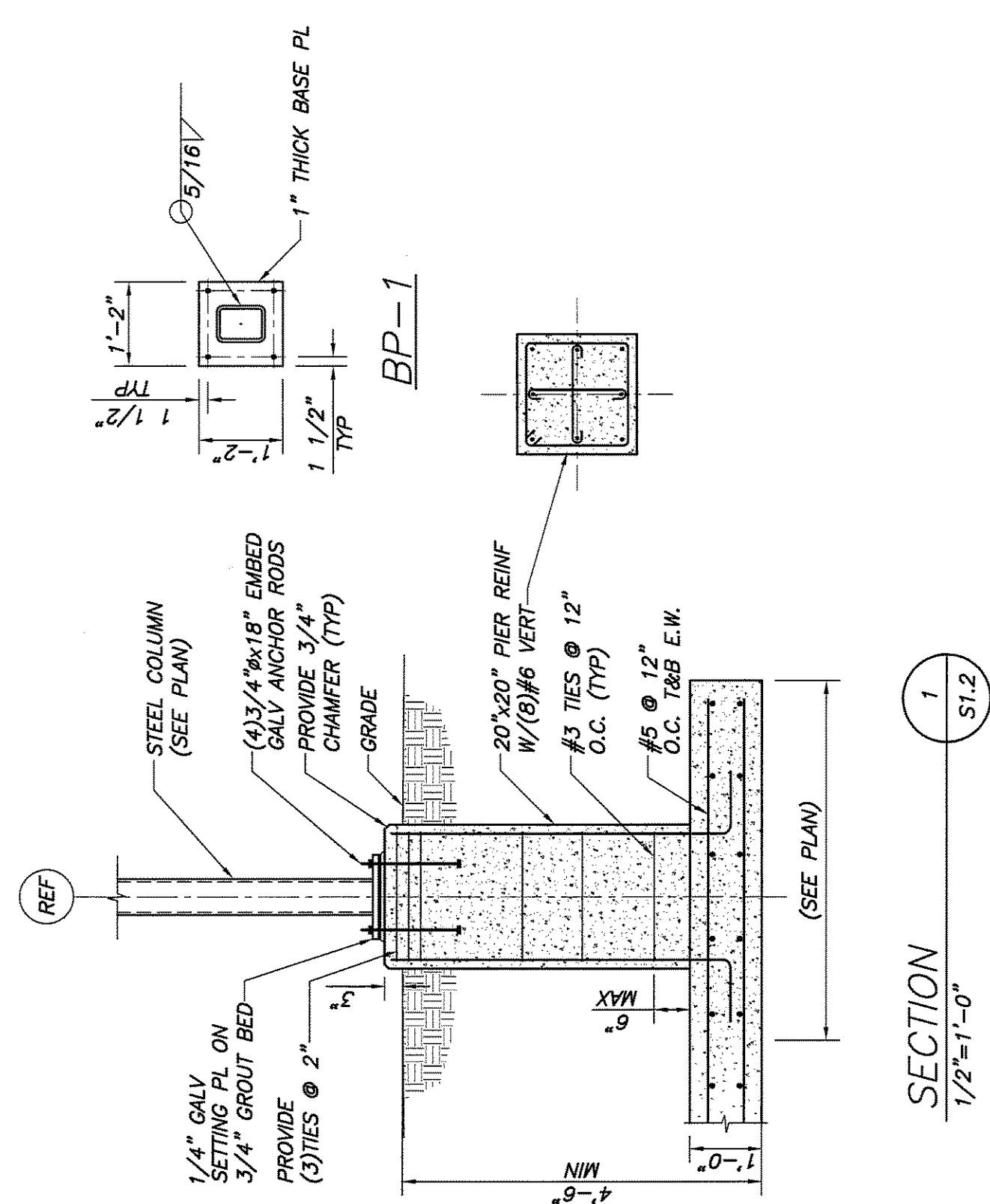
FOURTH FLOOR STAIR LANDING PLAN  
1/4"=1'-0"

- NOTES:
1. COORDINATE STAIR LAYOUT (GEOMETRY, RISE/RUN, ETC WITH ARCH DIMS.
  2. ALL STRUCTURAL STEEL CONNECTORS ETC SHALL BE HOT DIPPED
  3. COORDINATE TREAD RISER AND LANDING MATERIALS WITH ARCH DIMS.
  4. DIMS. INDICATES MOMENT CONNECTION.
  5. SEE ARCH DIMS FOR ALL WALL INFO.

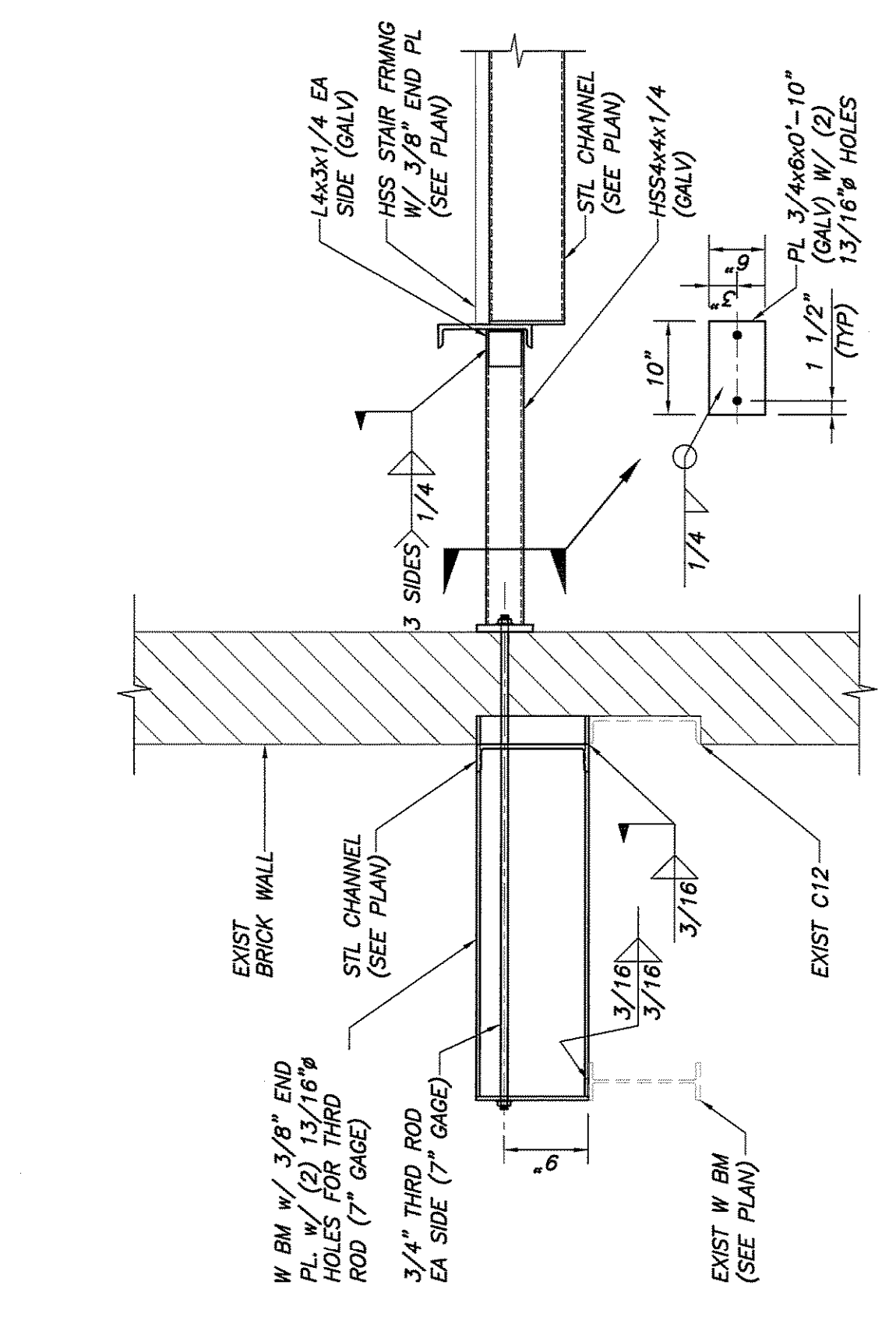


STAIR ROOF FRAMING PLAN  
1/4"=1'-0"

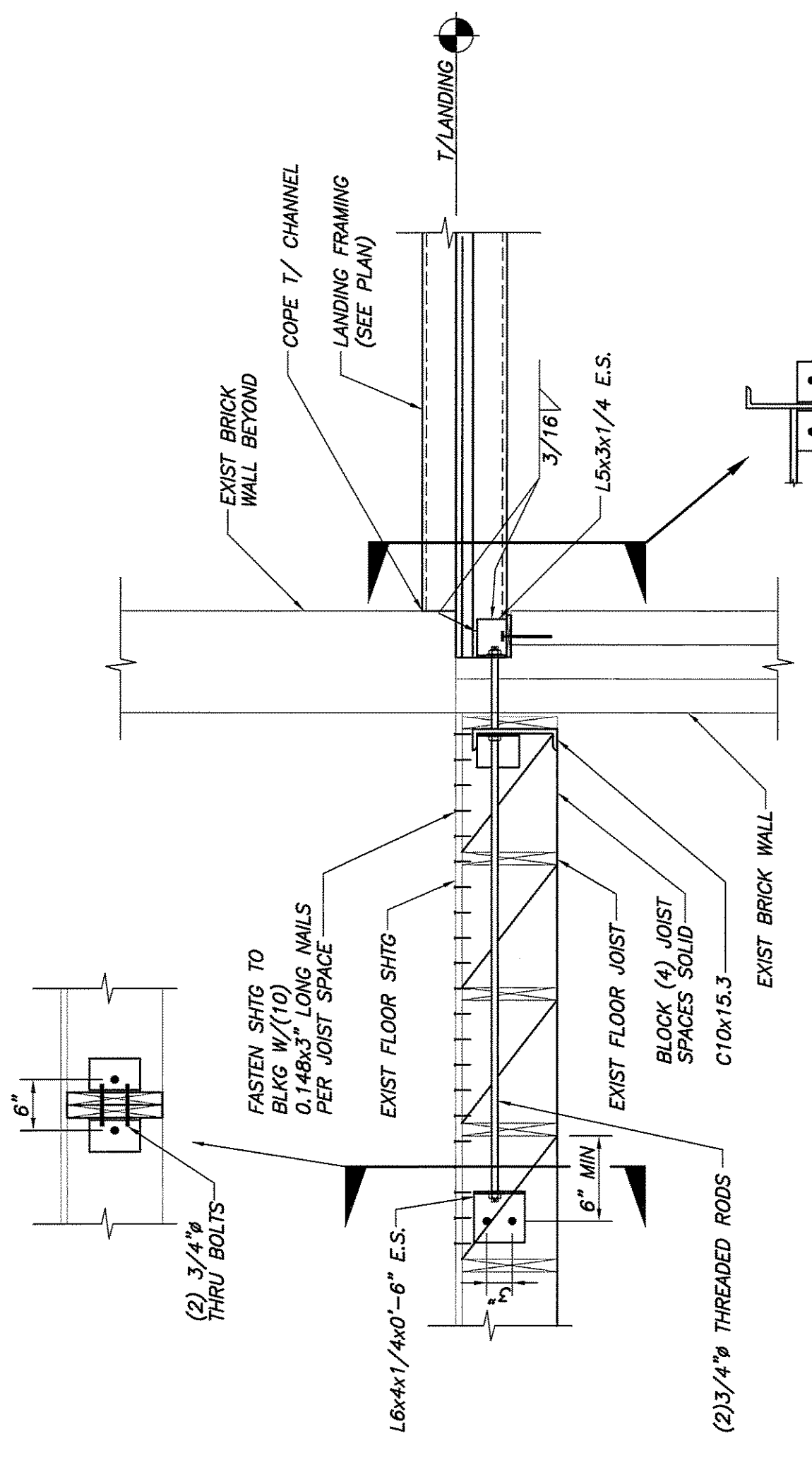
- NOTES:
1. COORDINATE STAIR LAYOUT (GEOMETRY, RISE/RUN, ETC WITH ARCH DIMS.
  2. ALL STRUCTURAL STEEL CONNECTORS ETC SHALL BE HOT DIPPED
  3. GALVANIZED
  4. DIMS. INDICATES MOMENT CONNECTION.
  5. GALVANIZED METAL ROOF DECK.



SECTION 1  
1/2"=1'-0"



SECTION 2  
3/4"=1'-0"



SECTION 3  
3/4"=1'-0"