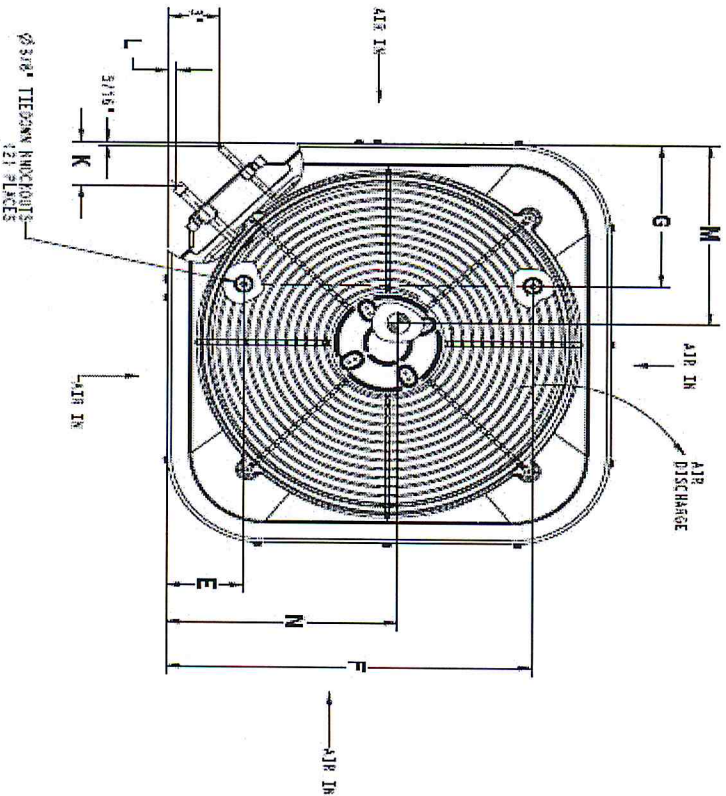
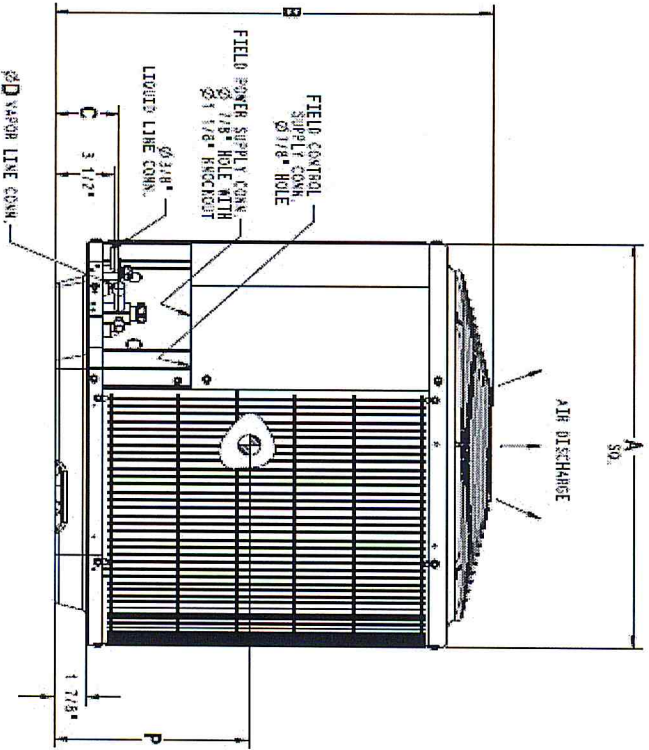


Certified Drawing for 4t Split HP X 1

04/28/2015



Outdoor Model

Unit Model: 113A
 Unit Size: 4 Tons
 Voltage: 208/230-3-60 V-Ph-Hz
 SEER: 13
 Part Number: 113APPA048000

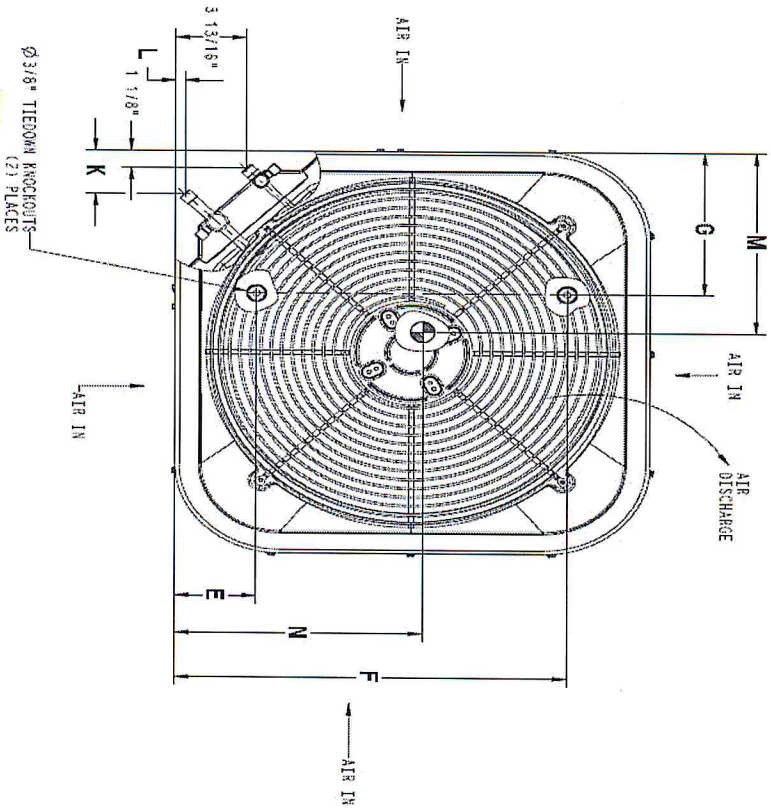
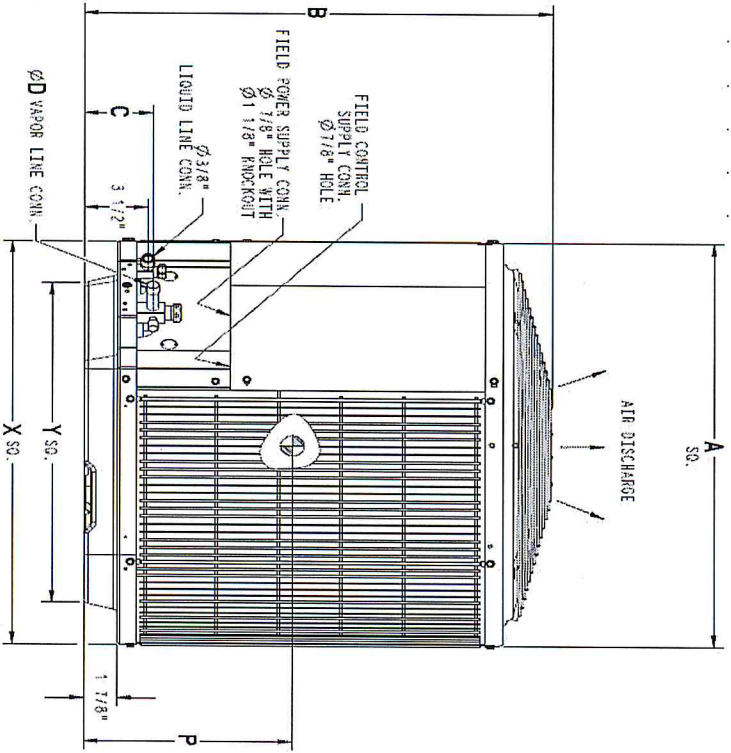
Shipping Dimensions and Weights		Outdoor Unit
Height		39.38 in
Width		35.50 in
Length		32.38 in
Operating Weight		186. lb
Shipping Weight		224. lb

Dimensions											
A	B	C	D	E	F	G	K	L	M	N	P
31.19 in	35.75 in	3.88 in	0.88 in	6.56 in	24.69 in	9.13 in	2.94 in	0.63 in	16.38 in	15.38 in	15.25 in

The Product and Ratings Data in this program is subject to change at any time and without notice. Please refer to the latest product literature and the AHRI directory at www.ahridirectory.org for the most up-to-date information.

Certified Drawing for 2.5t Split HP

X2



Outdoor Model

Unit Model: 213C
 Unit Size: 2.5 Tons
 Voltage: 208/230-3-60 V-Ph-Hz
 SEER: 13
 PartNumber: 213CPA030000

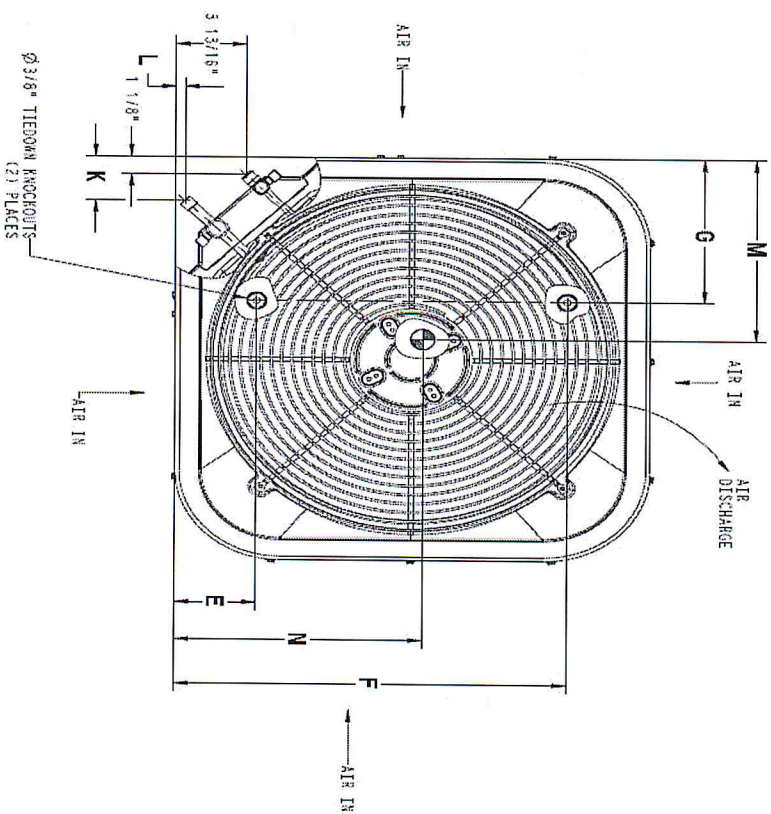
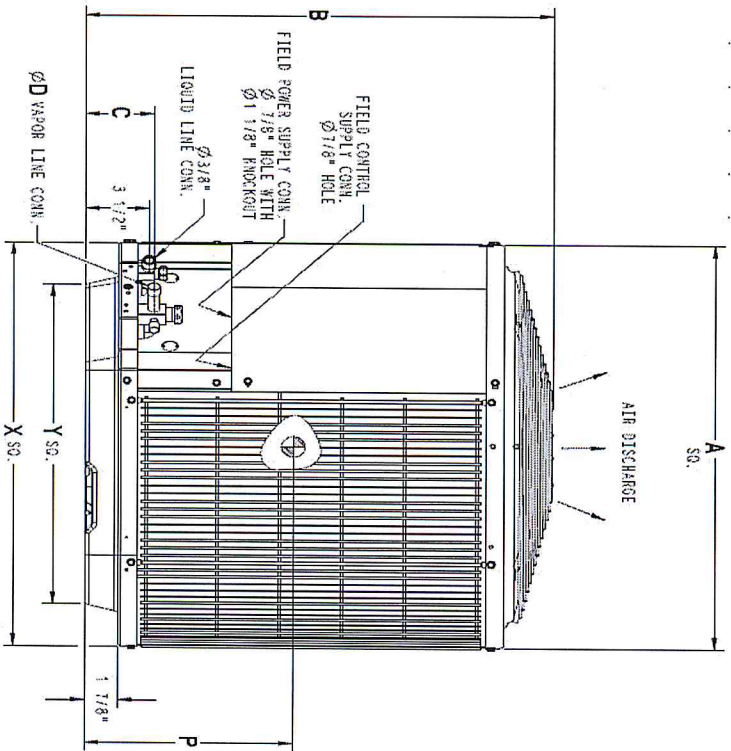
Shipping Dimensions and Weights		Outdoor Unit
Height		30.63 in
Width		32.19 in
Length		32.19 in
Operating Weight		149. lb
Shipping Weight		170. lb

Dimensions											
A	B	C	D	E	F	G	K	L	M	N	P
31.19 in	28.44 in	3.75 in	0.75 in	6.56 in	24.69 in	9.13 in	2.94 in	0.63 in	15.00 in	15.00 in	11.50 in

The Product and Ratings Data in this program is subject to change at any time and without notice. Please refer to the latest product literature and the AHRI directory at www.ahridirectory.org for the most up-to-date information.

Certified Drawing for 3.5t Split HP

X3



Outdoor Model

Unit Model: 213C
 Unit Size: 3.5 Tons
 Voltage: 208/230-3-60 V-Ph-Hz
 SEER: 13
 Part Number: 213CPA042000

Shipping Dimensions and Weights		Outdoor Unit
Height		34.00 in
Width		32.19 in
Length		32.19 in
Operating Weight		180. lb
Shipping Weight		200. lb

Dimensions											
A	B	C	D	E	F	G	K	L	M	N	P
31.19 in	31.81 in	3.88 in	0.88 in	6.56 in	24.69 in	9.13 in	2.94 in	0.63 in	15.00 in	15.00 in	12.50 in

The Product and Ratings Data in this program is subject to change at any time and without notice. Please refer to the latest product literature and the AHRI directory at www.ahridirectory.org for the most up-to-date information.

Certified Drawing for 7.5t Split AC X3

Project: Six City Center Portland Maine
 Prepared By: Timothy Simpson

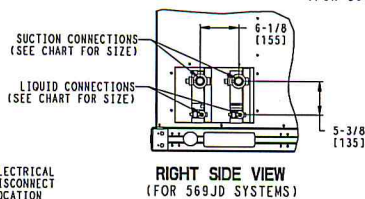
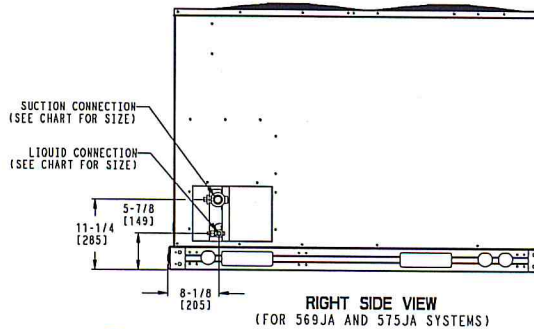
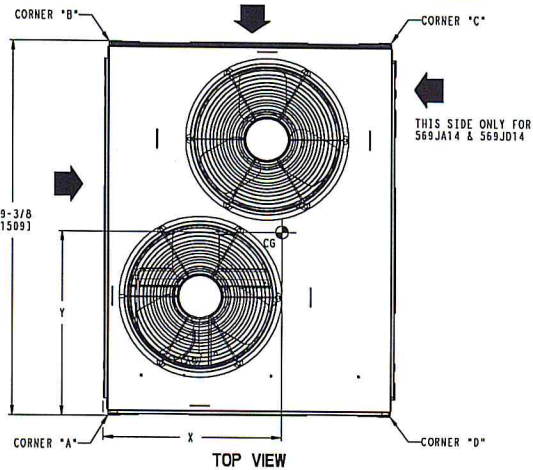
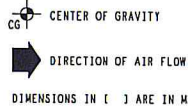
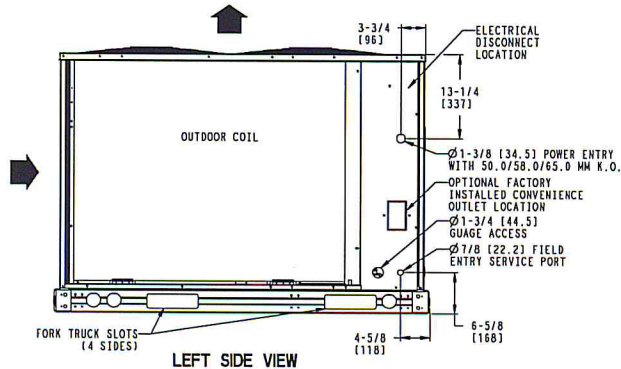
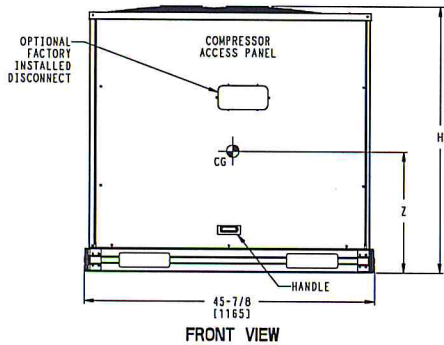
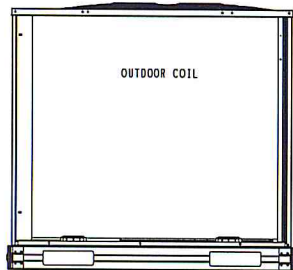
04/28/2015
 12:22PM

DIMENSIONS

UNIT	ELECTRICAL CHARACTERISTICS	STD. UNIT WT.		CORNER A		CORNER B		CORNER C		CORNER D		CENTER OF GRAVITY			UNIT HEIGHT
		LBS.	KG.	LBS.	KG.	LBS.	KG.	LBS.	KG.	LBS.	KG.	X	Y	Z	
569J-07A	208/230-3-60,460-3-60,575-3-60	328	149	128	58	68	31	62	28	70	32	21 [533.4]	19 [482.6]	13 [330.2]	42-3/8 [1076.0]
569J-08A	208/230-3-60,460-3-60,575-3-60	353	160	138	63	72	33	65	29	78	35	19 [482.6]	23 [584.2]	13 [330.2]	42-3/8 [1076.0]
569J-12A	208/230-3-60,460-3-60,575-3-60	418	190	165	75	85	39	78	35	90	41	23 [584.2]	20 [508.0]	15 [381.0]	50-3/8 [1279.2]
569J-14A	208/230-3-60,460-3-60,575-3-60	431	196	162	73	82	37	92	42	95	43	19 [482.6]	23 [584.2]	15 [381.0]	50-3/8 [1279.2]
569J-12D	208/230-3-60,460-3-60,575-3-60	499	226	193	88	111	50	72	38	123	56	20 [508.0]	23 [584.2]	15 [381.0]	50-3/8 [1279.2]
569J-14D	208/230-3-60,460-3-60,575-3-60	505	229	190	86	88	40	76	34	151	68	20 [508.0]	24 [609.6]	15 [381.0]	50-3/8 [1279.2]

SERVICE VALVE CONNECTIONS		
UNIT	SUCTION	LIQUID
569J-07A	1-1/8 [28.6]	3/8 [9.5]
569J-08A	1-1/8 [28.6]	1/2 [12.7]
569J-12A	1-3/8 [34.9]	1/2 [12.7]
569J-14A	1-3/8 [34.9]	5/8 [15.9]
569J-12D	1-1/8 [28.6]	3/8 [9.5]
569J-14D	1-3/8 [34.9]	1/2 [12.7]
575J-07A	1-1/8 [28.6]	3/8 [9.5]
575J-08A	1-1/8 [28.6]	1/2 [12.7]
575J-12A	1-3/8 [34.9]	1/2 [12.7]

NOTE: 12D and 14D models shown for convenience.
 Future product release is forth coming.



- NOTES:
- MINIMUM CLEARANCE (LOCAL CODES OR JURISDICTION MAY PREVAIL):
 - A. BOTTOM TO COMBUSTIBLE SURFACES: 0 INCHES.
 - B. OUTDOOR COIL, FOR PROPER AIR FLOW: 36 INCHES ONE SIDE, 12 INCHES THE OTHER. THE SIDE GETTING THE GREATER CLEARANCE IS OPTIONAL.
 - C. OVERHEAD: 60 INCHES, TO ASSURE PROPER OUTDOOR FAN OPERATION.
 - D. BETWEEN UNITS: CONTROL BOX SIDE, 42 INCHES PER NEC.
 - E. BETWEEN UNIT AND UNGROUNDED SURFACES: CONTROL BOX SIDE, 36 INCHES PER NEC.
 - F. BETWEEN UNIT AND BLOCK OR CONCRETE WALLS AND OTHER GROUNDED SURFACES: CONTROL BOX SIDE, 42 INCHES PER NEC.
 - WITH EXCEPTION OF THE CLEARANCE FOR THE OUTDOOR COIL AS STATED IN NOTE 1B, A REMOVABLE FENCE OR BARRICADE REQUIRES NO CLEARANCE.
 - UNITS MAY BE INSTALLED ON COMBUSTIBLE FLOORS MADE FROM WOOD OR CLASS A, B OR C ROOF COVERING MATERIAL.

C09237