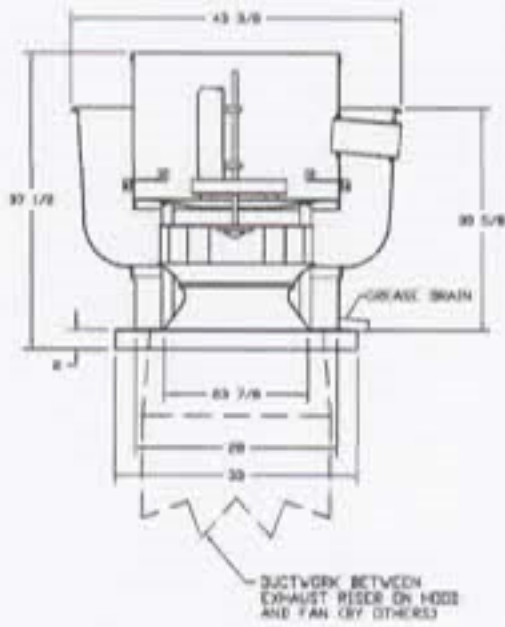


FAN BL NC624HPFA - EXHAUST FAN



**FEATURES:**

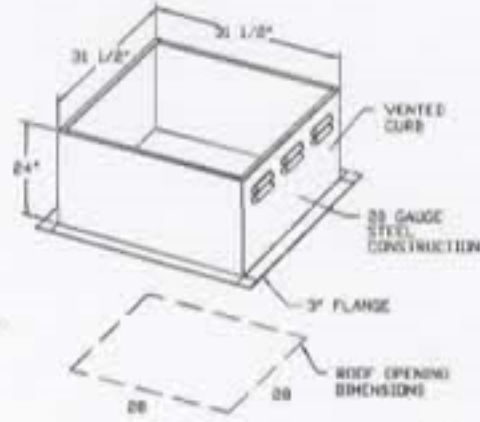
- ROOF MOUNTED FANS
- RESTAURANT HOODS
- UL755 AND UL756
- ANCA STURD AND AIR CERTIFIED
- VERDIC FROM MOTOR TO DISCONNECT SWITCH
- WEATHERPROOF DISCONNECT
- 100% HEAT OPERATION 300°F (149°C)
- GREASE CLASSIFICATION TESTING

**NORMAL TEMPERATURE TEST**  
EXHAUST FAN MUST OPERATE CONTINUOUSLY WHILE EXHAUSTING AIR AT 300°F (149°C) UNTIL ALL FAN PARTS HAVE REACHED THERMAL EQUILIBRIUM, AND WITHOUT ANY DETERIORATING EFFECTS TO THE FAN WHICH WOULD CAUSE UNSAFE OPERATION.

**ABNORMAL FLARE-UP TEST**  
EXHAUST FAN MUST OPERATE CONTINUOUSLY WHILE EXHAUSTING BURNING GREASE VAPORS AT 400°F (204°C) FOR A PERIOD OF 15 MINUTES WITHOUT THE FAN BECOMING DAMAGED TO ANY EXTENT THAT COULD CAUSE AN UNSAFE CONDITION.

**OPTIONS:**

- GREASE BOX
- 3-YEAR EXTENDED MOTOR WARRANTY
- EXTRA SET OF BELTS
- FAN BASE CERAMIC SEAL - SHIP LOOSE - FOR GREASE DUCTS



PITCHED CURBS ARE AVAILABLE FOR PITCHED ROOFS.

SPECIFY PITCH:  
EXAMPLE 7/12 PITCH = 30° SLOPE



CUSTOMER APPROVAL TO MANUFACTURE:

Approved as noted	<input type="checkbox"/>
Approved with NO Exception Taken	<input type="checkbox"/>
Revised and Resubmit	<input type="checkbox"/>
SIGNATURE _____	
Your Title _____	Date _____



**CAPTIVEAIR**

JOB L10 Portland r4	
LOCATION PORTLAND, ME, 04101	
DATE 9/7/2017	JOB # 3035763
DFG # 1	DRAWN BY BFC-21
REV.	SCALE 3/8" = 1'-0"