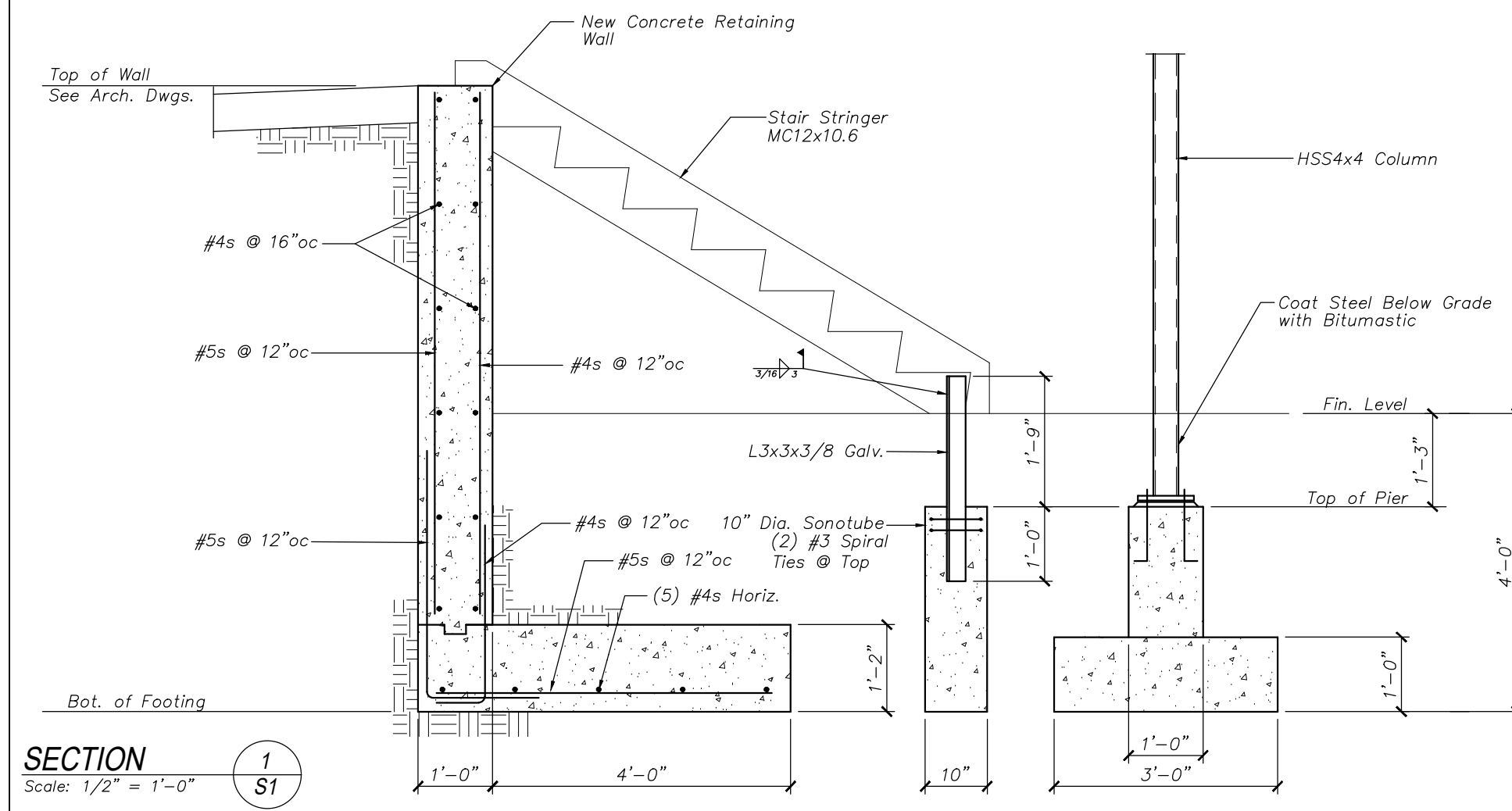
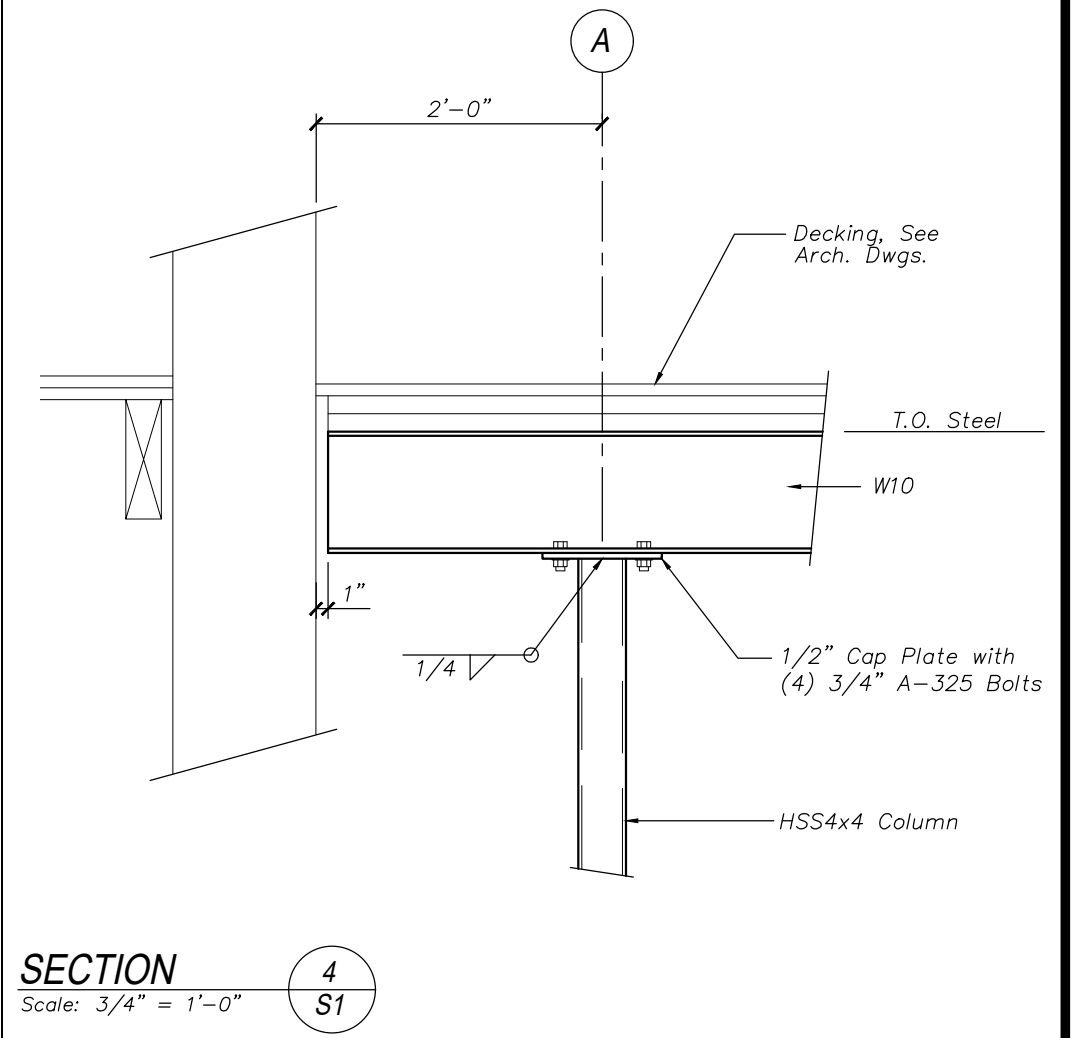


NEW DECK - FRAMING PLAN
Scale: 1/4" = 1'-0"

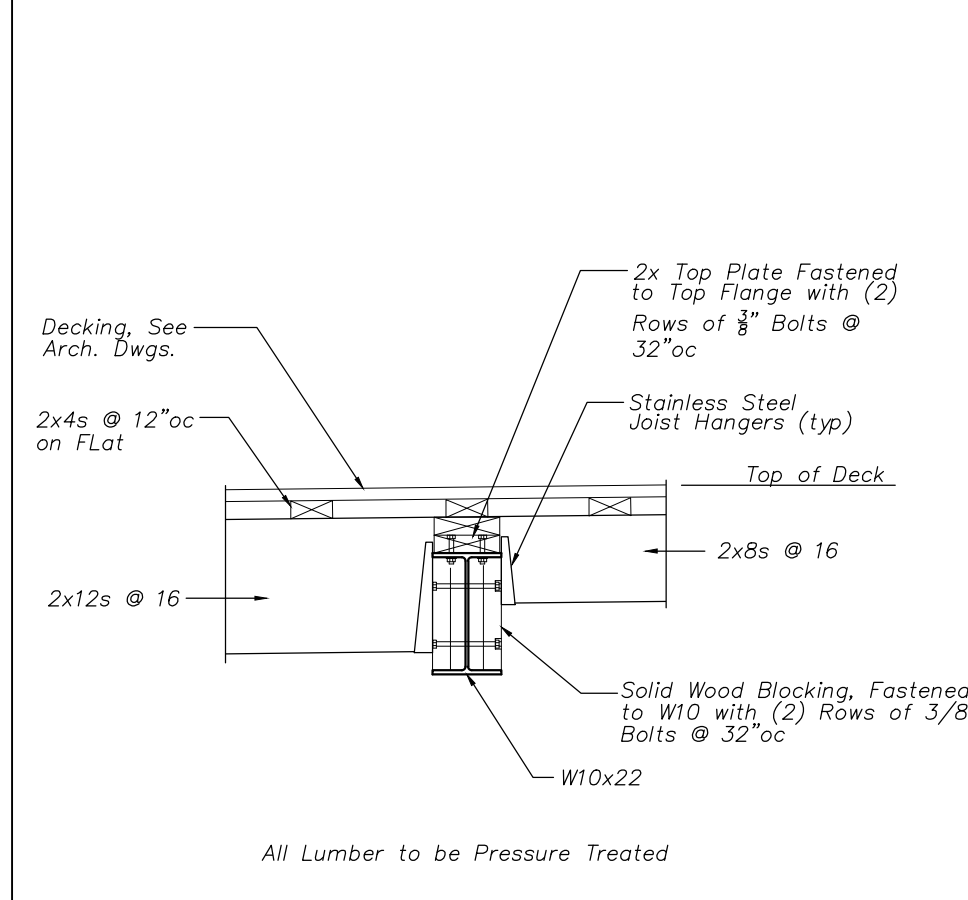
C1 = TS4x4x5/16 Column
All Lumber to be Pressure Treated



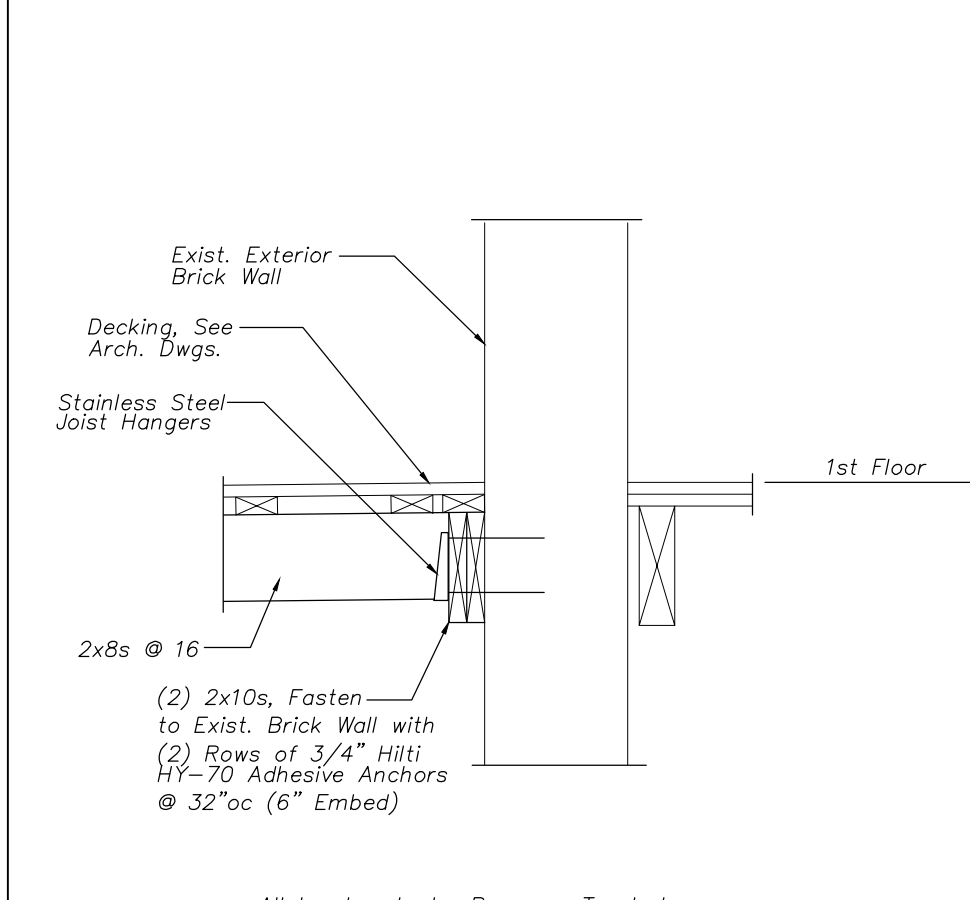
SECTION 1
Scale: 1/2" = 1'-0"



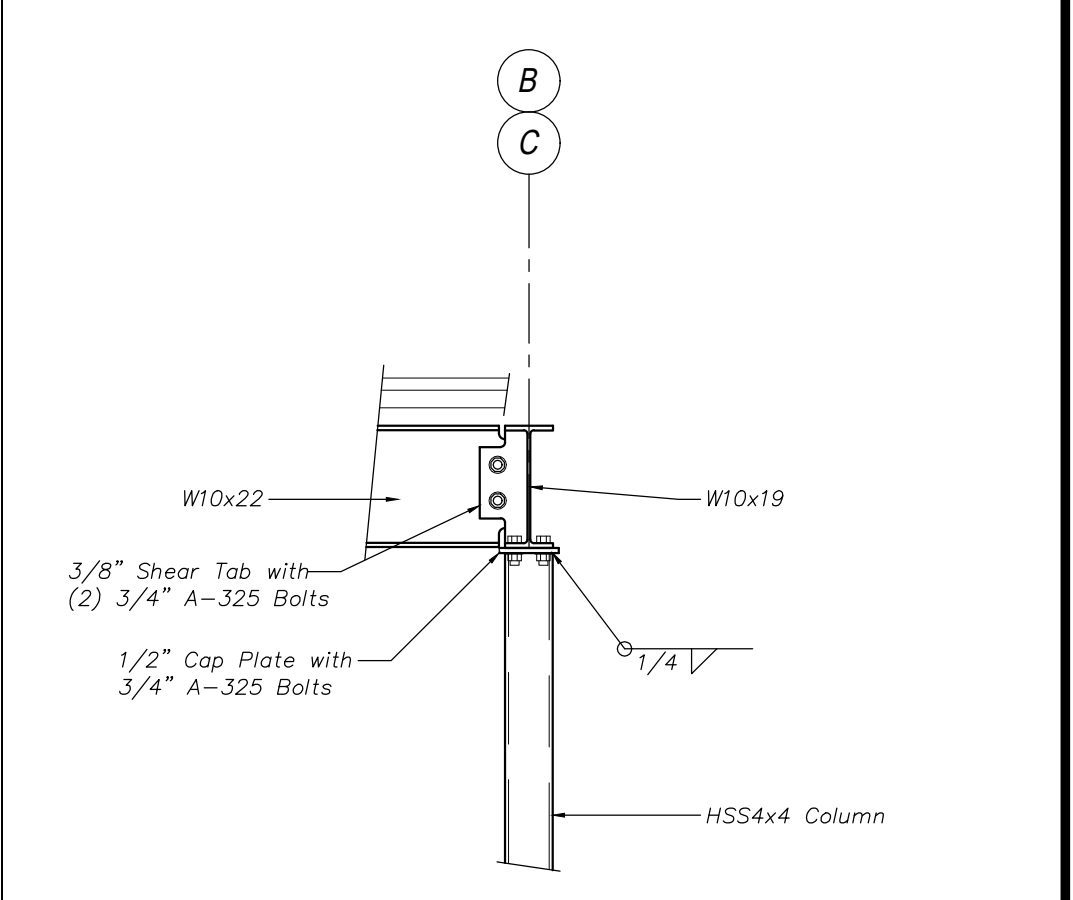
SECTION 4
Scale: 3/4" = 1'-0"



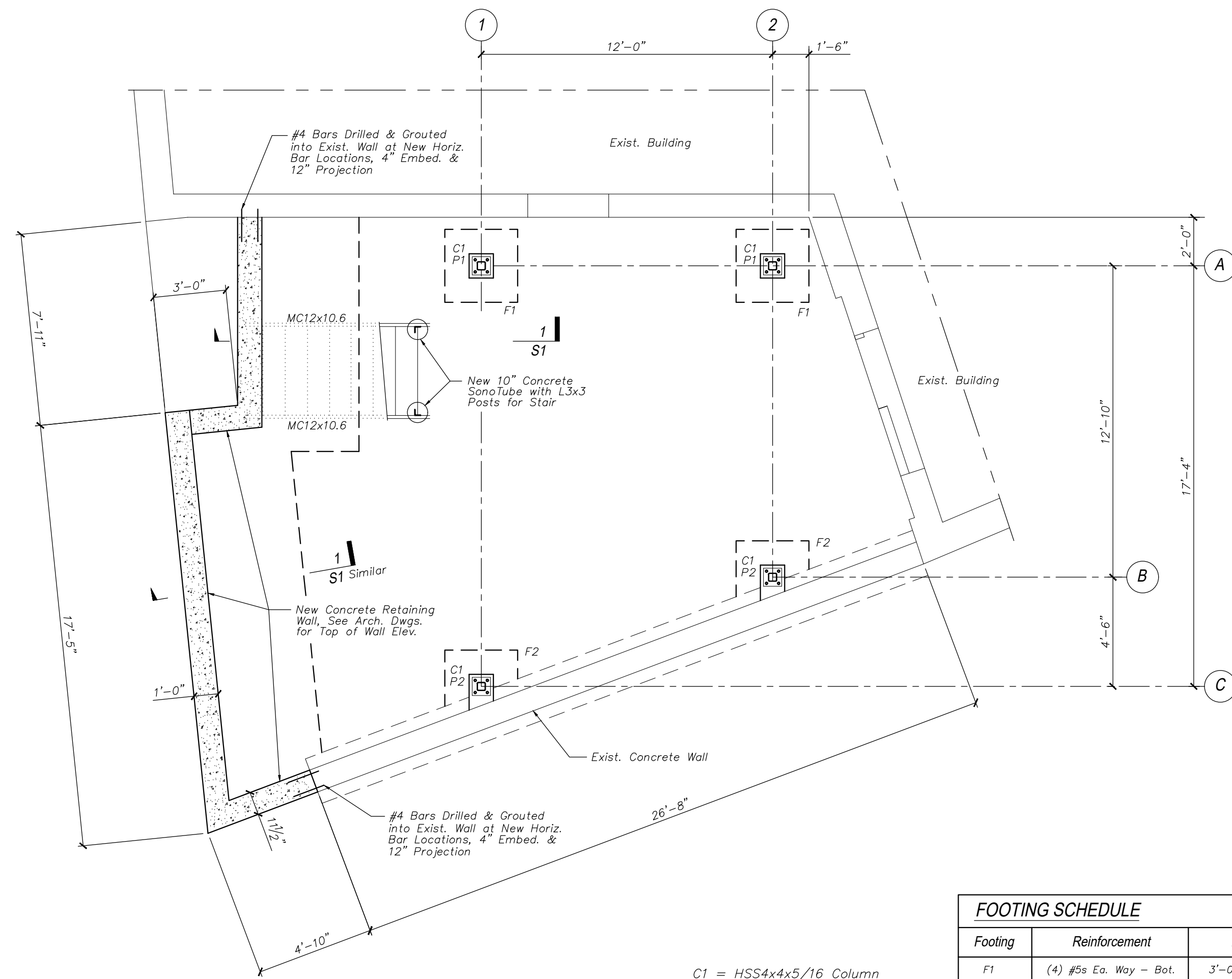
SECTION 2
Scale: 3/4" = 1'-0"



SECTION 3
Scale: 3/4" = 1'-0"



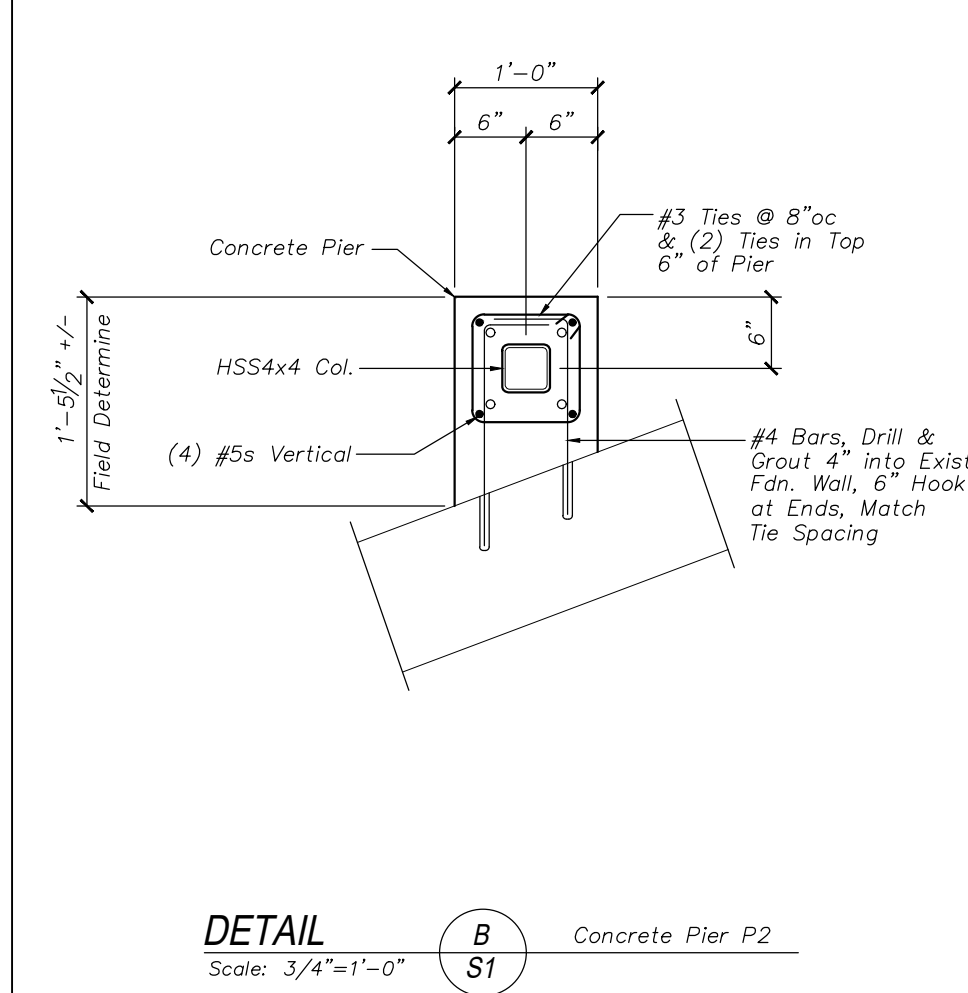
SECTION 5
Scale: 3/4" = 1'-0"



NEW DECK - FOUNDATION PLAN
Scale: 1/4" = 1'-0"

C1 = HSS4x4x5/16 Column
P# = Column Pier—See Details

FOOTING SCHEDULE		
Footing	Reinforcement	Dimensions
F1	(4) #5s Ea. Way - Bot.	3'-0" x 3'-0" x 12"
F2	(4) #5s Ea. Way - Bot. Dowel into Exist. 4"	3'-0"xField Det.x12"



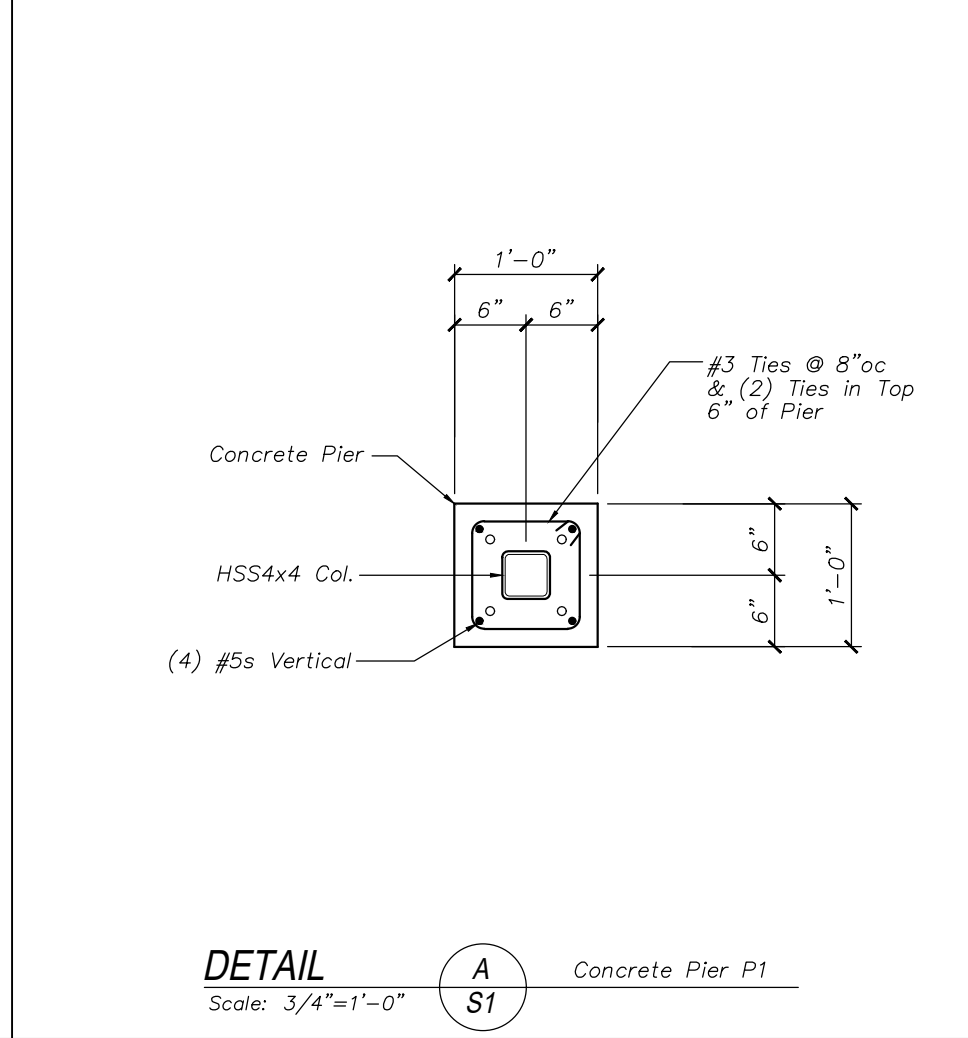
DETAIL B
Scale: 3/4" = 1'-0"

STRUCTURAL DESIGN CRITERIA:
1. BUILDING CODE: 2009 EDITION OF THE INTERNATIONAL BUILDING CODE.
2. EXTERIOR DECK AND STAIRS: LIVE LOAD = 100 PSF
3. SNOW LOAD: DECK SNOW LOAD = 42 PSF + DRIFT

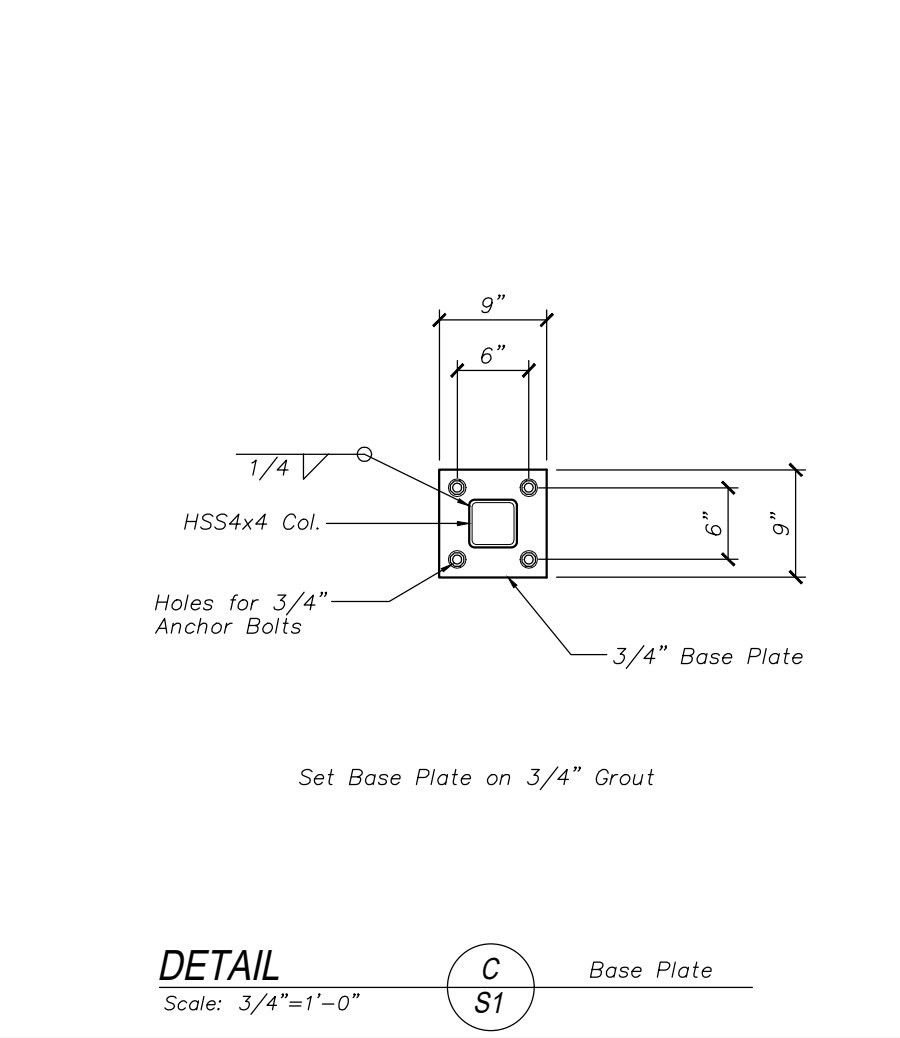
GENERAL NOTES:
1. STRUCTURAL DRAWINGS SHALL BE USED IN CONJUNCTION WITH JOB SPECIFICATIONS, ARCHITECTURAL AND SITE DRAWINGS.
2. ALL DIMENSIONS AND CONDITIONS MUST BE VERIFIED IN THE FIELD.
3. ALL APPLICABLE FEDERAL, STATE, AND MUNICIPAL REGULATIONS SHALL BE FOLLOWED, INCLUDING THE FEDERAL DEPARTMENT OF LABOR OCCUPATIONAL SAFETY AND HEALTH ACT.

FOUNDATION NOTES:
1. FOUNDATION DESIGN BASED ON AN ASSUMED MAXIMUM ALLOWABLE BEARING PRESSURE OF 2500 PSF. IT IS THE RESPONSIBILITY OF THE OWNER/CONTRACTOR TO VERIFY THE SOIL BEARING CAPACITY. NOTIFY THE ENGINEER AND STOP WORK IF CLAY, WET SOILS, FILL, OR OTHER DELETERIOUS MATERIALS ARE ENCOUNTERED.
2. DESIGN OF EXTERIOR FOUNDATIONS IS BASED ON A FROST DEPTH OF 4'-0" BELOW FINISHED GRADE.

WOOD FRAMING NOTES:
1. STRUCTURAL LUMBER: No. 1 SOUTHERN YELLOW PINE, PRESSURE TREATED
F_b = 850 PSI F_v = 70 PSI
F_c = 975 PSI E = 1100000 PSI
2. DESIGN CODE: NATIONAL DESIGN SPECIFICATIONS FOR WOOD CONSTRUCTION BY THE NATIONAL FOREST PRODUCTS ASSOCIATION.
3. FASTENERS: COMPLY WITH RECOMMENDED FASTENING SCHEDULE OF THE INTERNATIONAL BUILDING CODE, 2009 EDITION, UNLESS SHOWN OTHERWISE ON THE DRAWINGS.



DETAIL A
Scale: 3/4" = 1'-0"



DETAIL C
Scale: 3/4" = 1'-0"

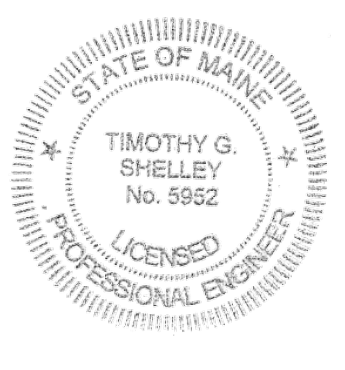
STRUCTURAL STEEL NOTES - GENERAL:
1. STRUCTURAL STEEL FABRICATION, ERECTION, AND CONNECTION DESIGN SHALL CONFORM TO AISC "SPECIFICATION FOR THE DESIGN, FABRICATION, AND ERECTION OF STRUCTURAL STEEL" 13th EDITION.
2. STRUCTURAL TUBING SHALL CONFORM TO ASTM A500, GRADE B. STEEL PIPES SHALL BE A53, GRADE B
3. ALL BOLTED CONNECTIONS SHALL BE MADE WITH 3/4" DIA. ASTM A325 HIGH STRENGTH BOLTS.
4. WELDING SHALL BE IN ACCORDANCE WITH AWS D1.1 - LATEST EDITION. ALL WELDS SHALL BE MADE WITH E70XX ELECTRODES.
5. STRUCTURAL STEEL SHALL BE PAINTED AS FOLLOWS:
A.) SHOP PREPARED IN ACCORDANCE WITH SSPC SP-6 BLAST. PAINTED WITHIN 8 HOURS OF SURFACE BLAST PREPARATION.
B.) PRIME COAT: TNEMC 90-07 OR EQUAL
C.) FINISH COAT: TNEMC 73 ENDURASHIELD OR EQUAL
6. SUBMIT COMPLETE STRUCTURAL STEEL SHOP DRAWINGS FOR REVIEW PRIOR TO ANY STEEL FABRICATION.

CONCRETE NOTES:
1. ALL CONCRETE WORK SHALL CONFORM TO ACI-318-LATEST EDITION.
2. CONCRETE COMPRESSIVE STRENGTH AT 28 DAYS SHALL BE 3000 PSI, MAXIMUM SIZE AGGREGATE SHALL BE 3/4".
3. CONCRETE TO REMAIN EXPOSED TO WEATHER SHALL BE AIR ENTRAINED.
4. CONCRETE SHALL NOT BE PLACED IN WATER OR ON FROZEN GROUND.
5. REINFORCING BARS SHALL CONFORM TO ASTM A615 GRADE 60.

SEI
Shelley Engineering, Inc.
Structural Consultants
P.O. Box 1030
Gray, Maine 04039
Phone (207) 687-8031
www.ShelleyEngineering.com

ME
Deck & Patio Addition
5 Spring Street
Portland
Portland

Issue	Date
Review	3/12/17



SHEET TITLE:
Structural
S1 of 1
SEI Job # 2017-008