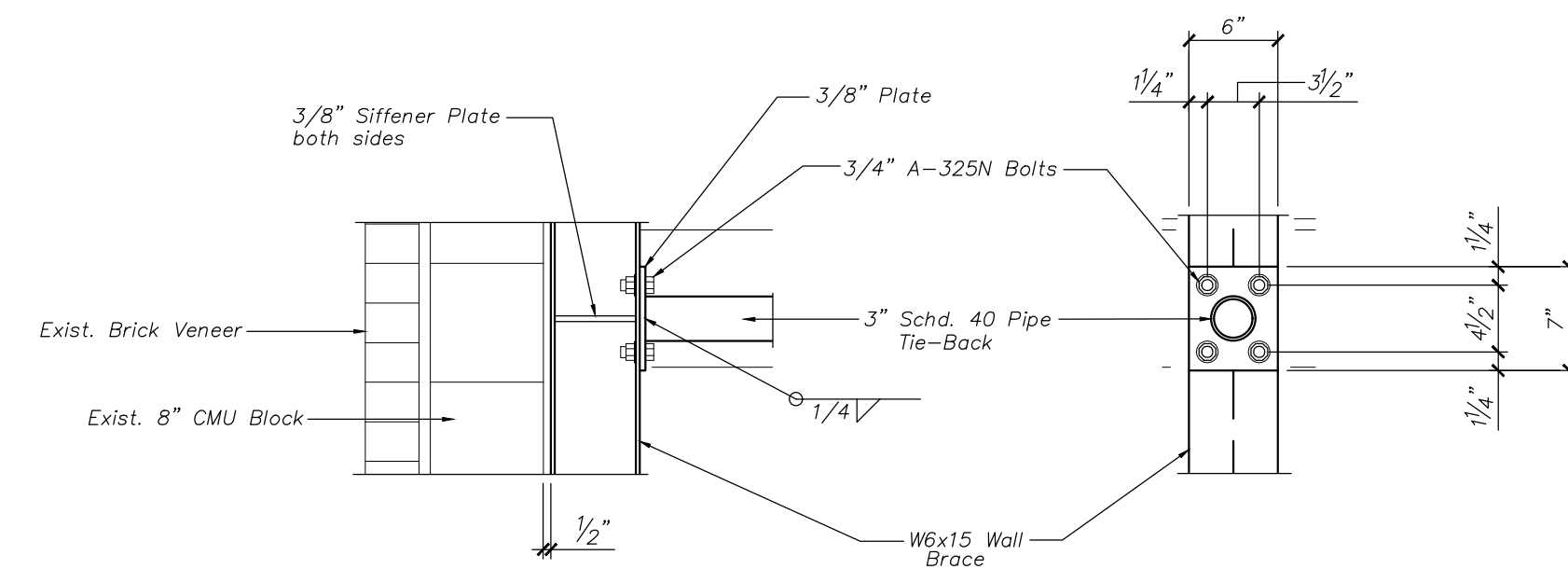
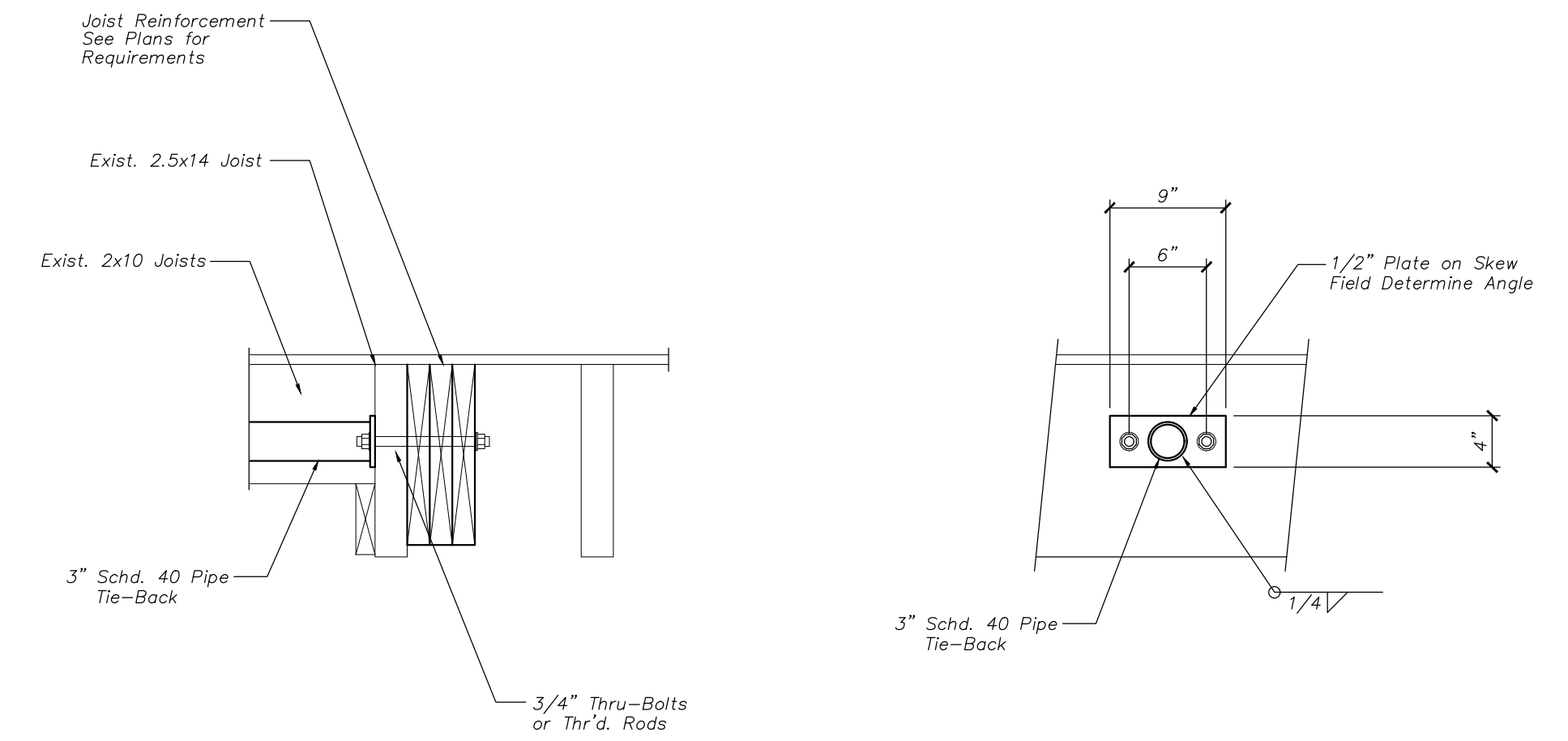


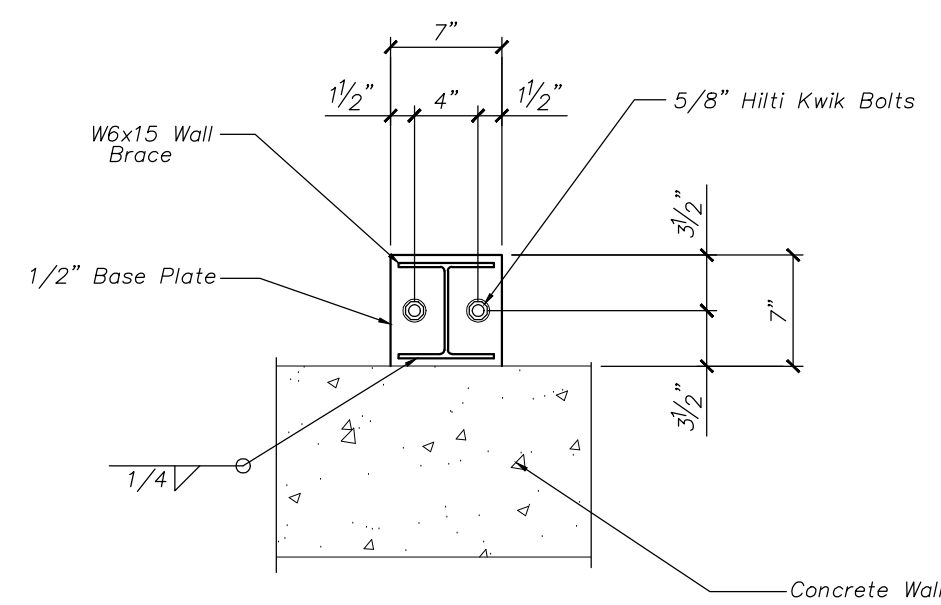
DETAIL
Scale: 1"=1'-0"
A WALL CONNECTOR PLATE



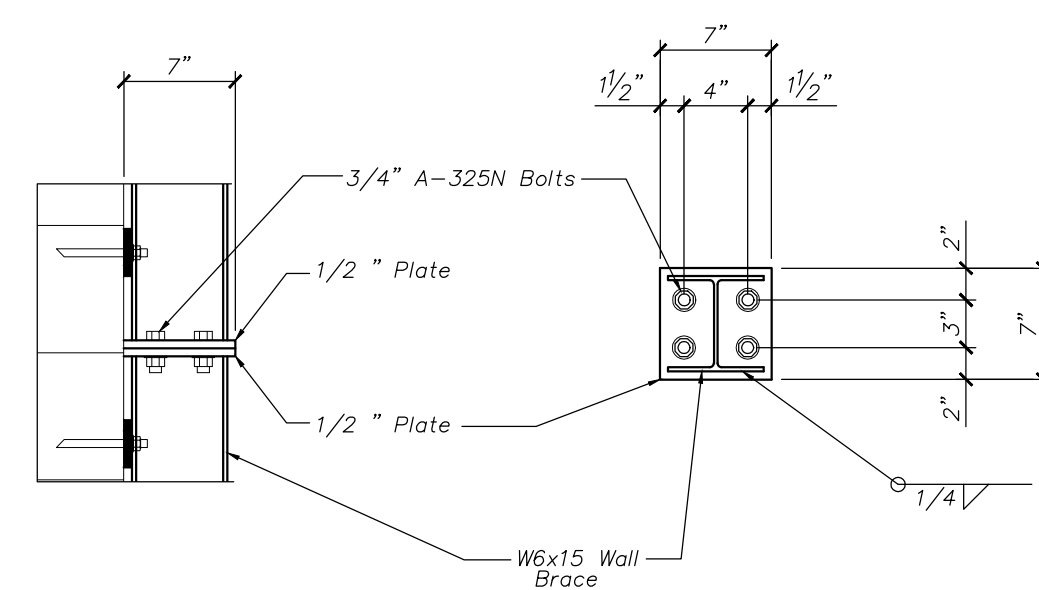
DETAIL
Scale: 1"=1'-0"
B WALL TIE-BACK at W6 ATTACHMENT



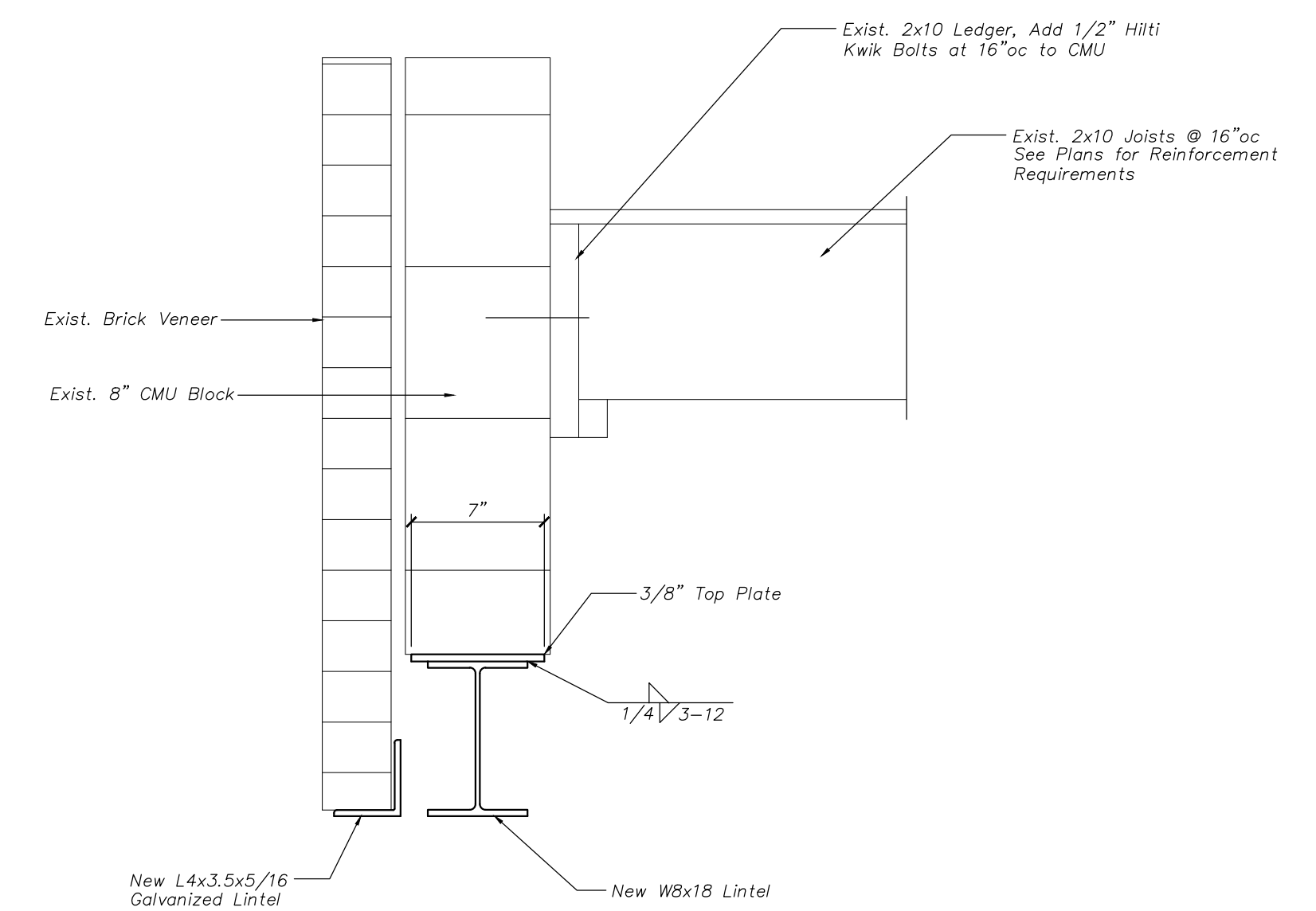
DETAIL
Scale: 1"=1'-0"
C WALL TIE-BACK at WOOD JOIST ATTACHMENT



DETAIL
Scale: 1"=1'-0"
D W6 WALL BRACE BASE PLATE



DETAIL
Scale: 1"=1'-0"
E SPLICE PLATES

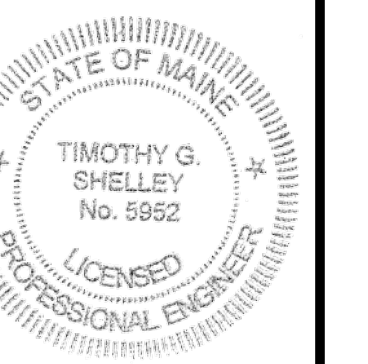


DETAIL
Scale: 1-1/2"=1'-0"
F NEW LINTELS

SEI
Shelley Engineering, Inc.
Structural Consultants
P.O. Box 1030
Gray, Maine 04039
Phone (207) 667-8031
www.ShelleyEngineering.com

BUILDING RENOVATIONS
6 CITY CENTER
Portland
ME

Issue	Date
For Permit	8/31/16
Construction	9/12/16



SHEET TITLE:

Framing Details

S5 of 5

SEI Job # 2016-141