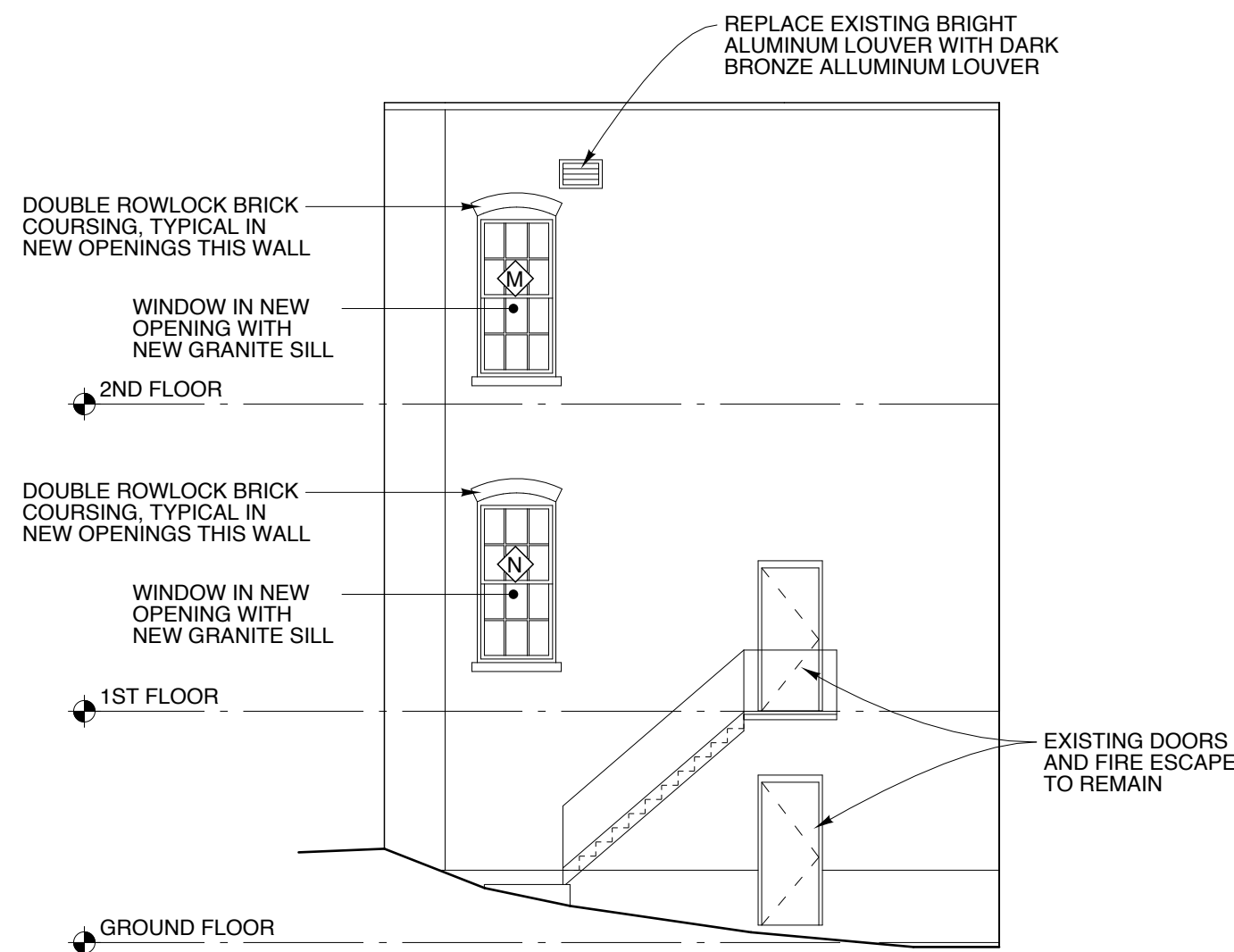
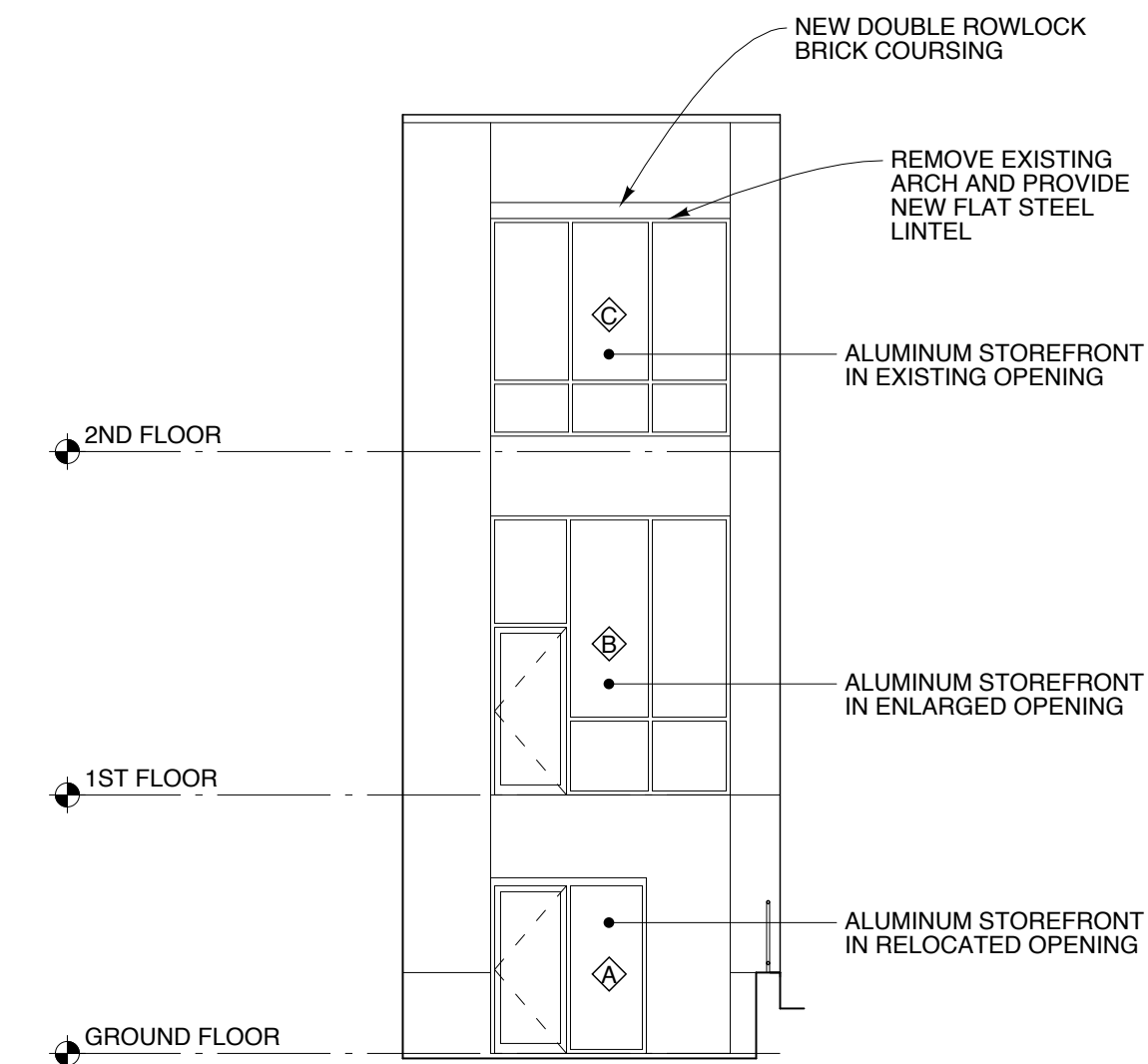


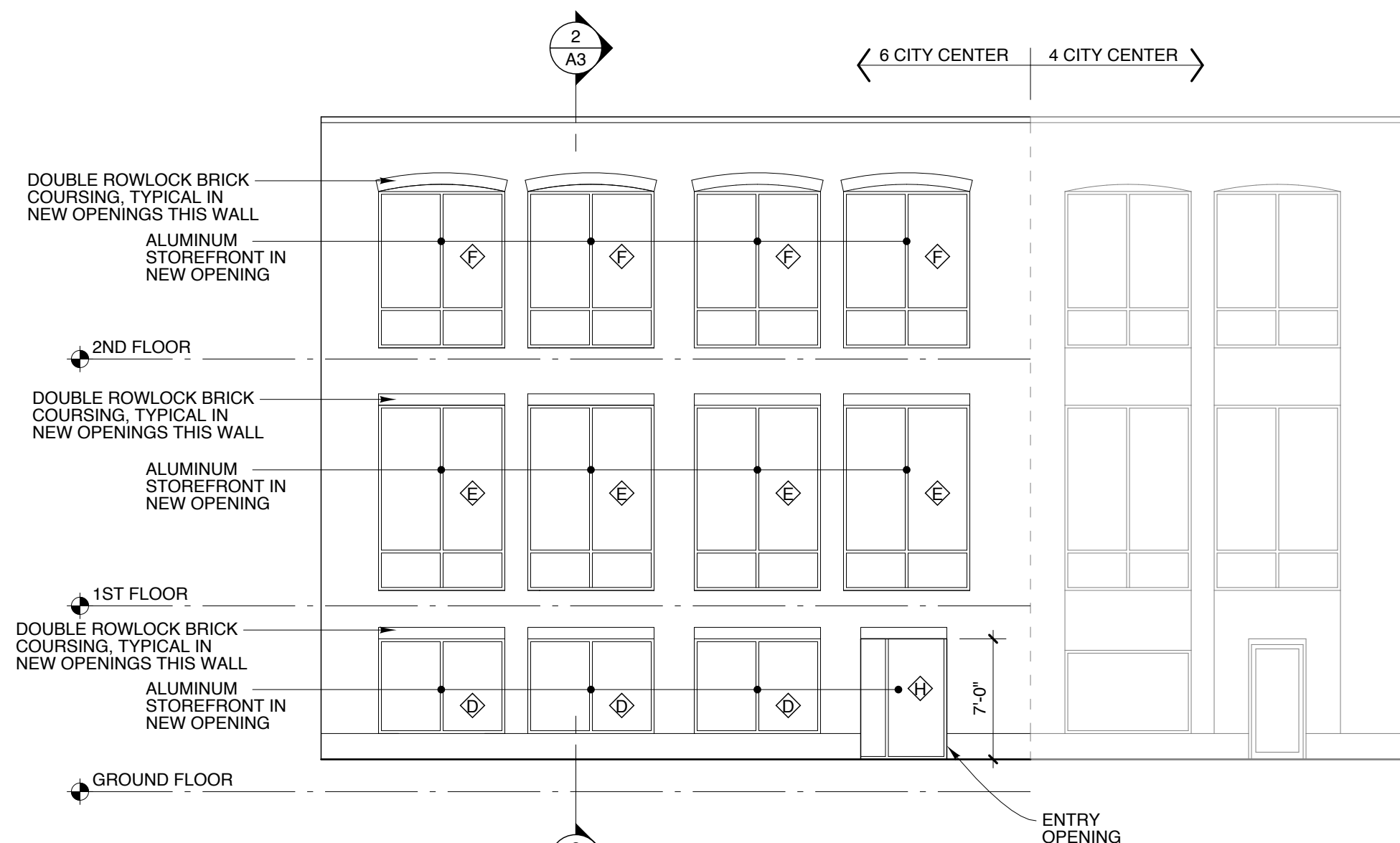
1 ELEVATION
SCALE: 1/8" = 1'-0"
2' 4' 8' 16'



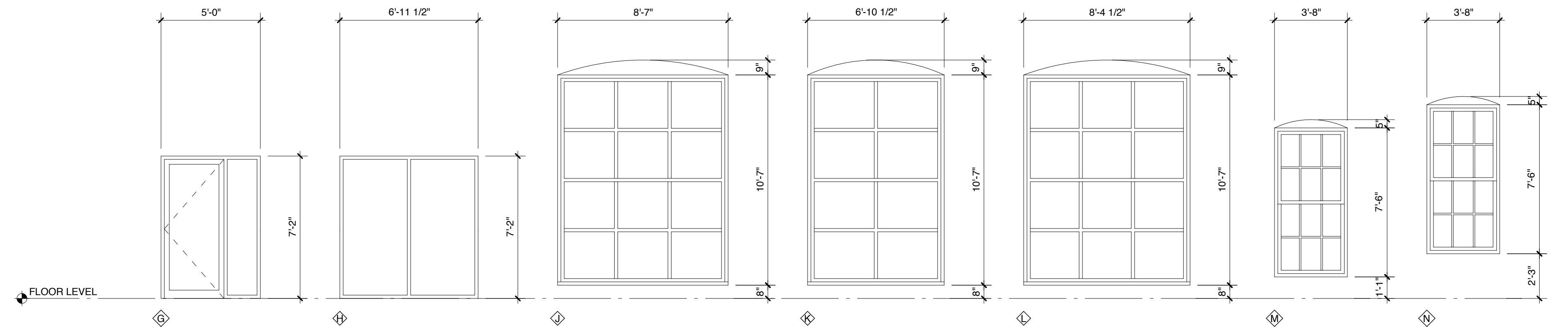
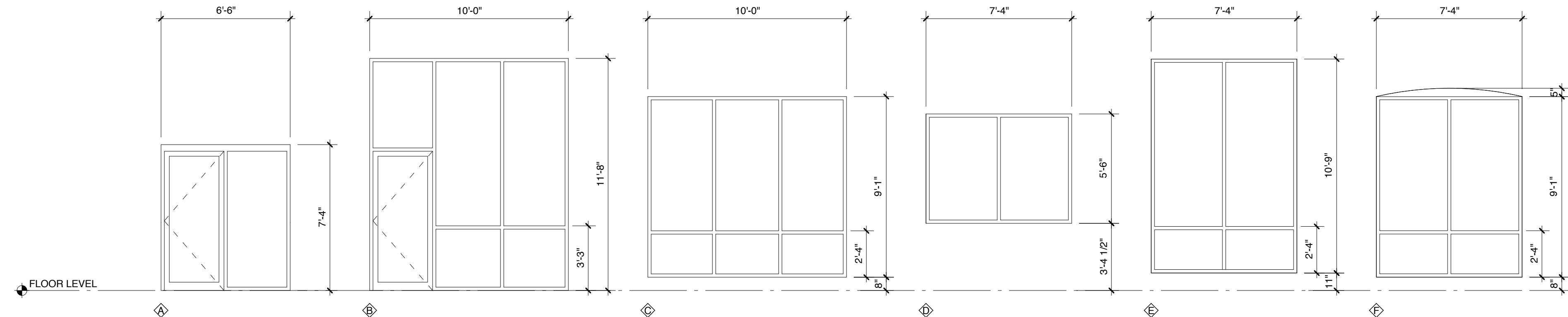
2 ELEVATION
SCALE: 1/8" = 1'-0"
2' 4' 8' 16'



3 ELEVATION
SCALE: 1/8" = 1'-0"
2' 4' 8' 16'



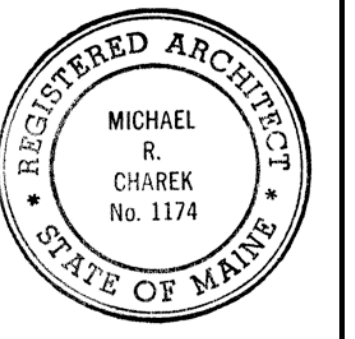
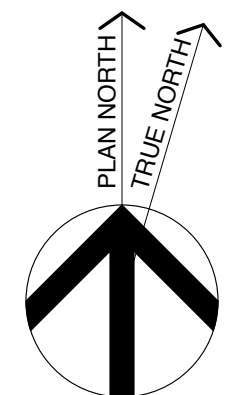
4 ELEVATION
SCALE: 1/8" = 1'-0"
2' 4' 8' 16'



5 WINDOW SCHEDULE
SCALE: 1/4" = 1'-0"
1' 2' 4' 8'

- WINDOW TYPES**
- ⬠ ⬡ ⬢ ⬣ ⬤ ⬥ KAWNEER TRIFAB 451T STOREFRONT FRAMING, COLOR DARK BRONZE, 1" INSULATED GLASS
 - ⬦ ⬧ TGP FIREFRAME 45 MINUTE RATED ALUMINUM FRAME AND DOOR, COLOR DARK BRONZE, WITH FIRELITE PLUS 45 MINUTE RATED GLAZING
 - ⬨ ⬩ ⬪ ⬫ ⬬ ⬭ TRACO TR-9100 SINGLE HUNG ALUMINUM WINDOW, WITH TT SNAP-ON HEAD AND JAMB PANNING AND D SNAP-ON SILL PANNING. SIGHT LINE AND COLOR TO MATCH WINDOWS ON FREE STREET SIDE OF BUILDING

NOTE:
DIMENSIONS OF MASONRY OPENINGS SHOWN ARE APPROXIMATE. ADJUST AS NEEDED TO FIT EXISTING MASONRY COURSING.



Title

ELEVATIONS AND WINDOW SCHEDULE

Scale: AS NOTED

Date: 8/31/16

Revisions

ISSUED FOR PERMIT

REV. 09/19/16: CORRECTED NOTE ON FIRE RATED STOREFRONT, ADDED NOTE ABOUT LOUVER ON ELEV. 3

Sheet

A2