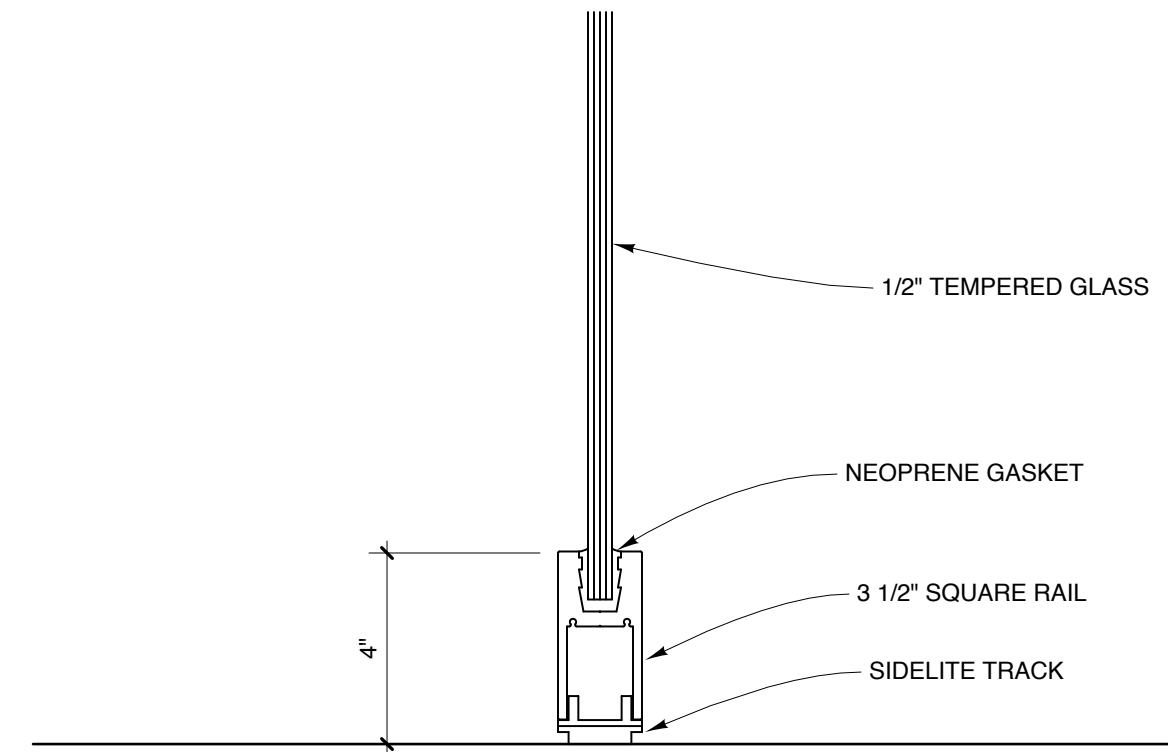
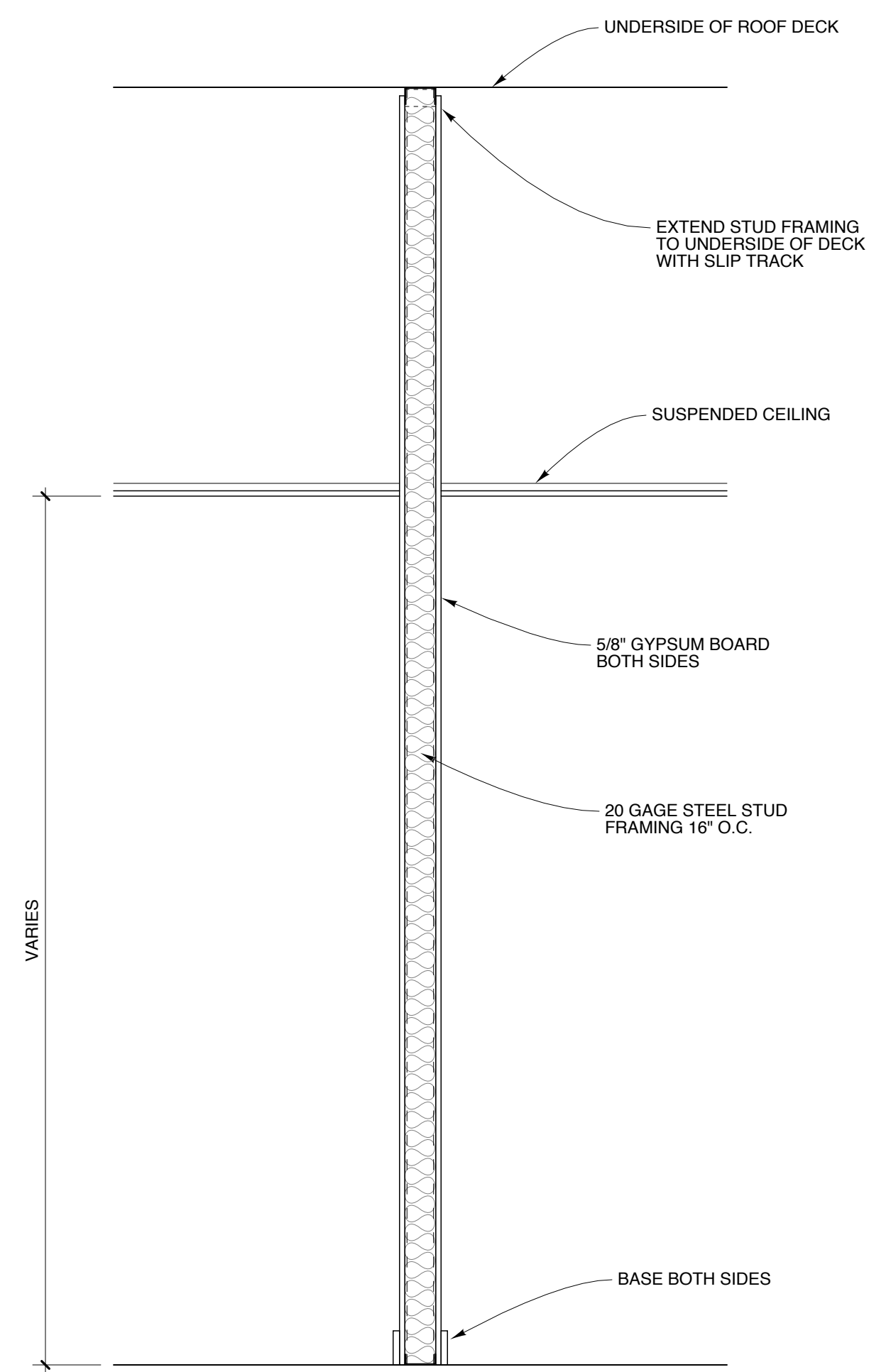


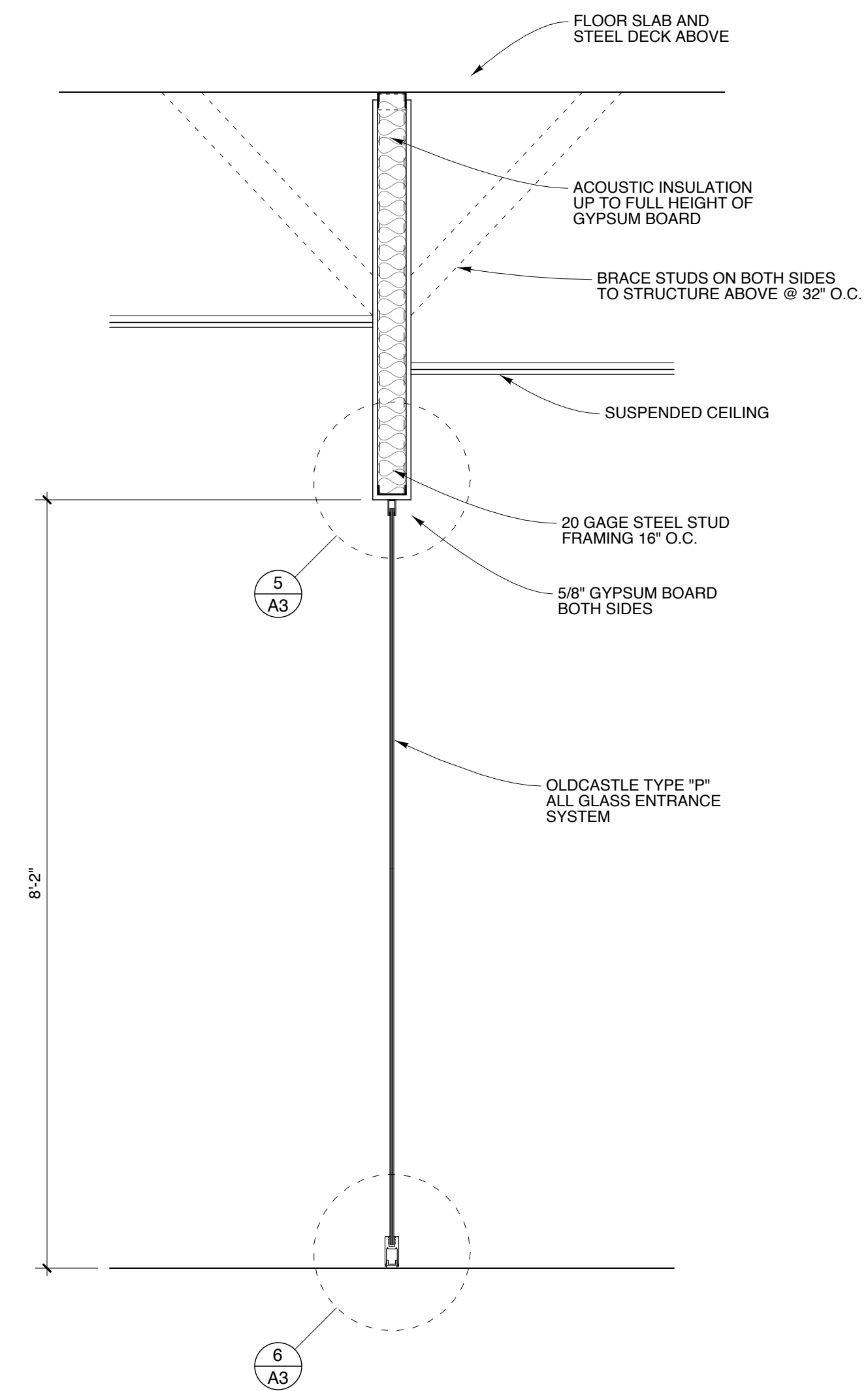
5 DETAIL
SCALE: 3/4" = 1'-0"
4" 8" 1'-4" 2'-8"



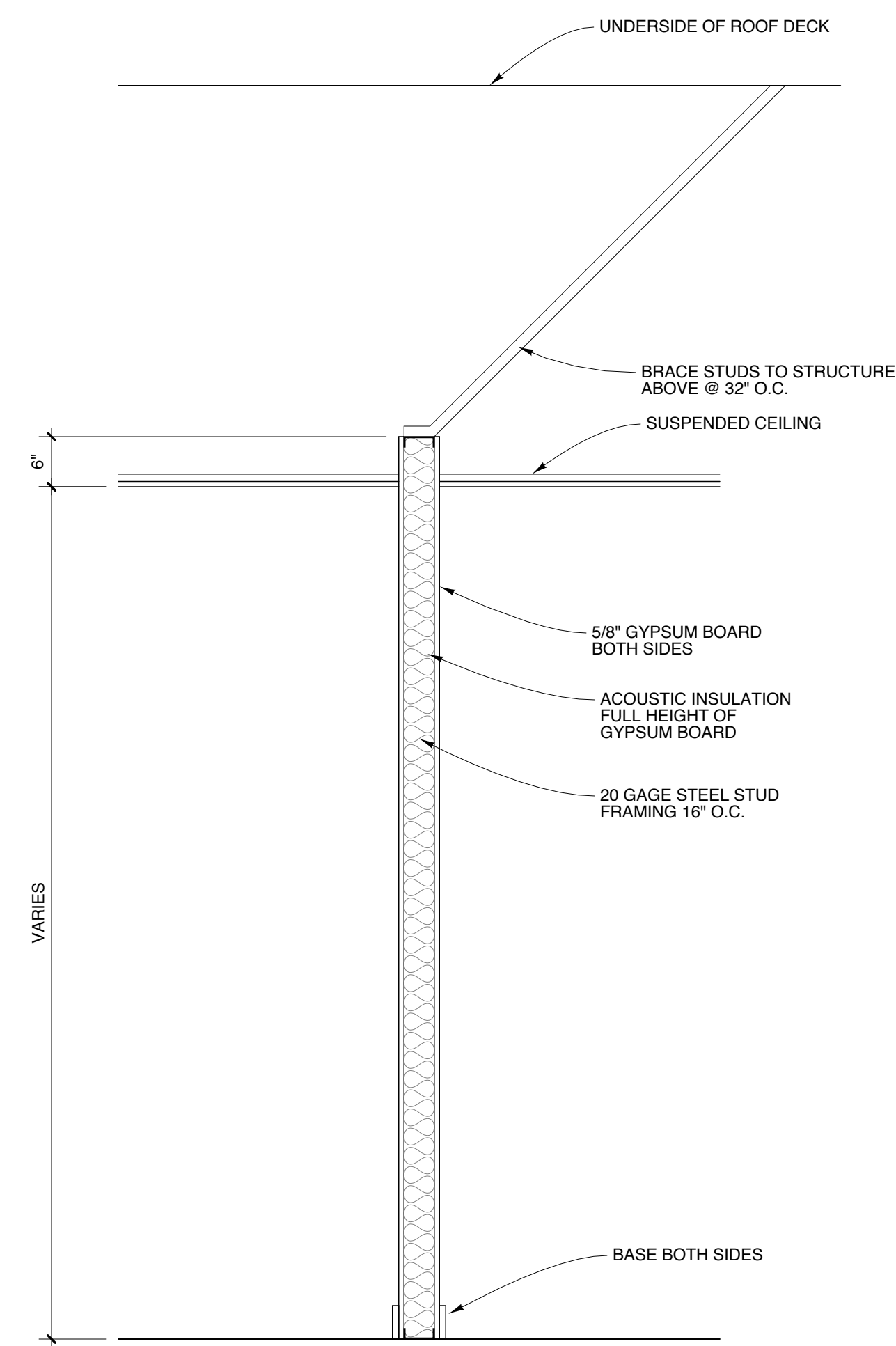
6 DETAIL
SCALE: 3/4" = 1'-0"
4" 8" 1'-4" 2'-8"



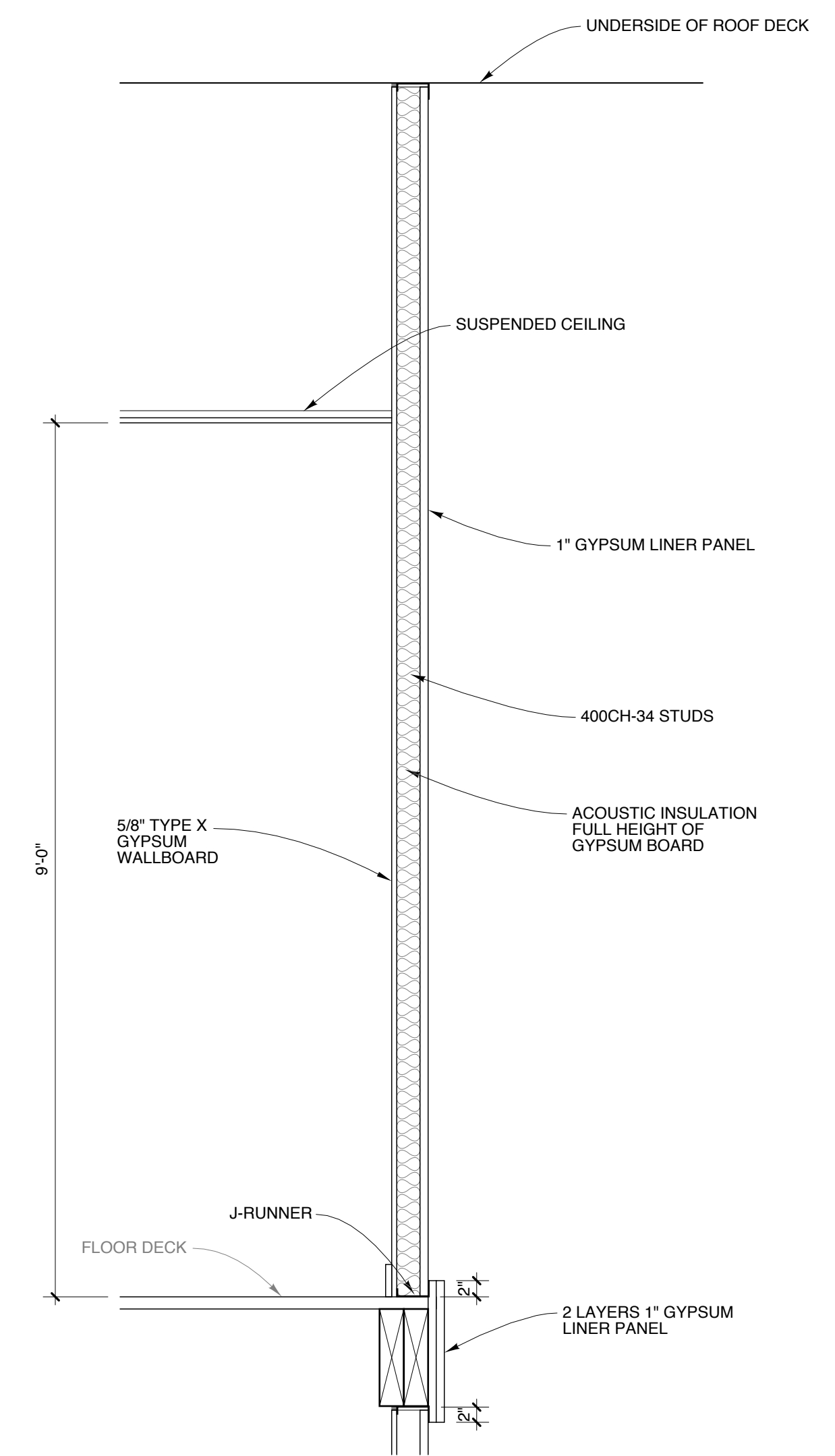
1 PARTITION TYPE P1
SCALE: 3/4" = 1'-0"
4" 8" 1'-4" 2'-8"



2 PARTITION TYPE P1 AT GLAZED AREA
SCALE: 3" = 1'-0"
4" 8" 1'-4" 2'-8"



3 PARTITION TYPE P2
SCALE: 3" = 1'-0"
4" 8" 1'-4" 2'-8"



4 PARTITION TYPE P3
SCALE: 3" = 1'-0"
4" 8" 1'-4" 2'-8"



Title

PARTITION TYPES AND DETAILS

Scale: AS NOTED

Date: 8/16/16

Revisions

ISSUED FOR PERMIT

Sheet

A3