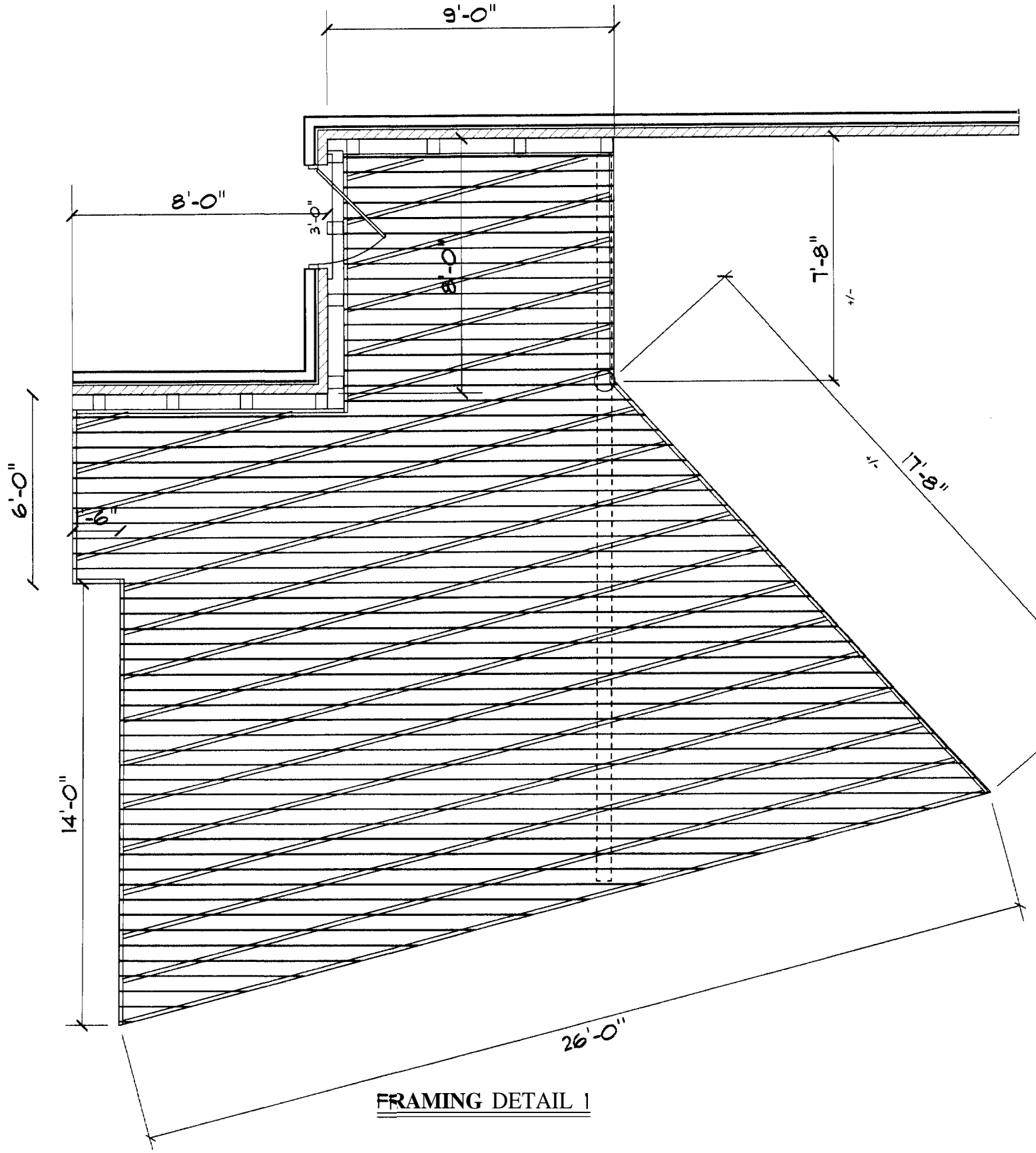
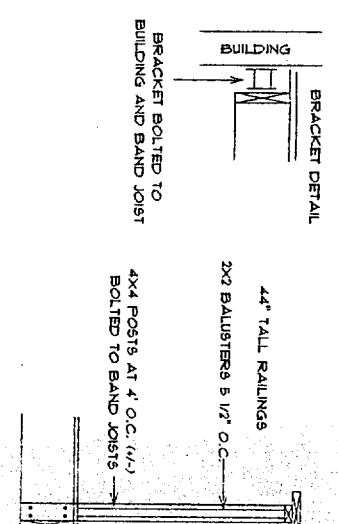
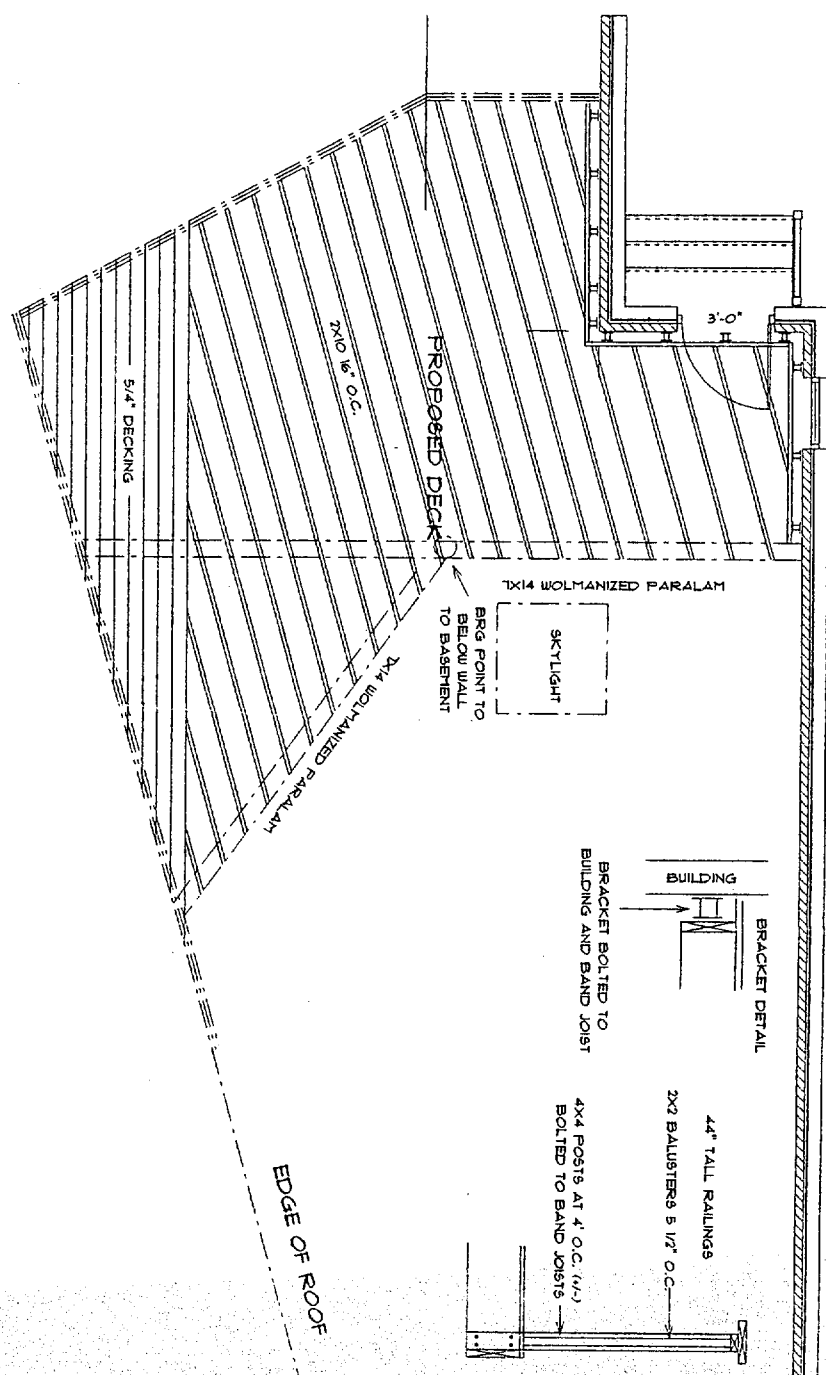
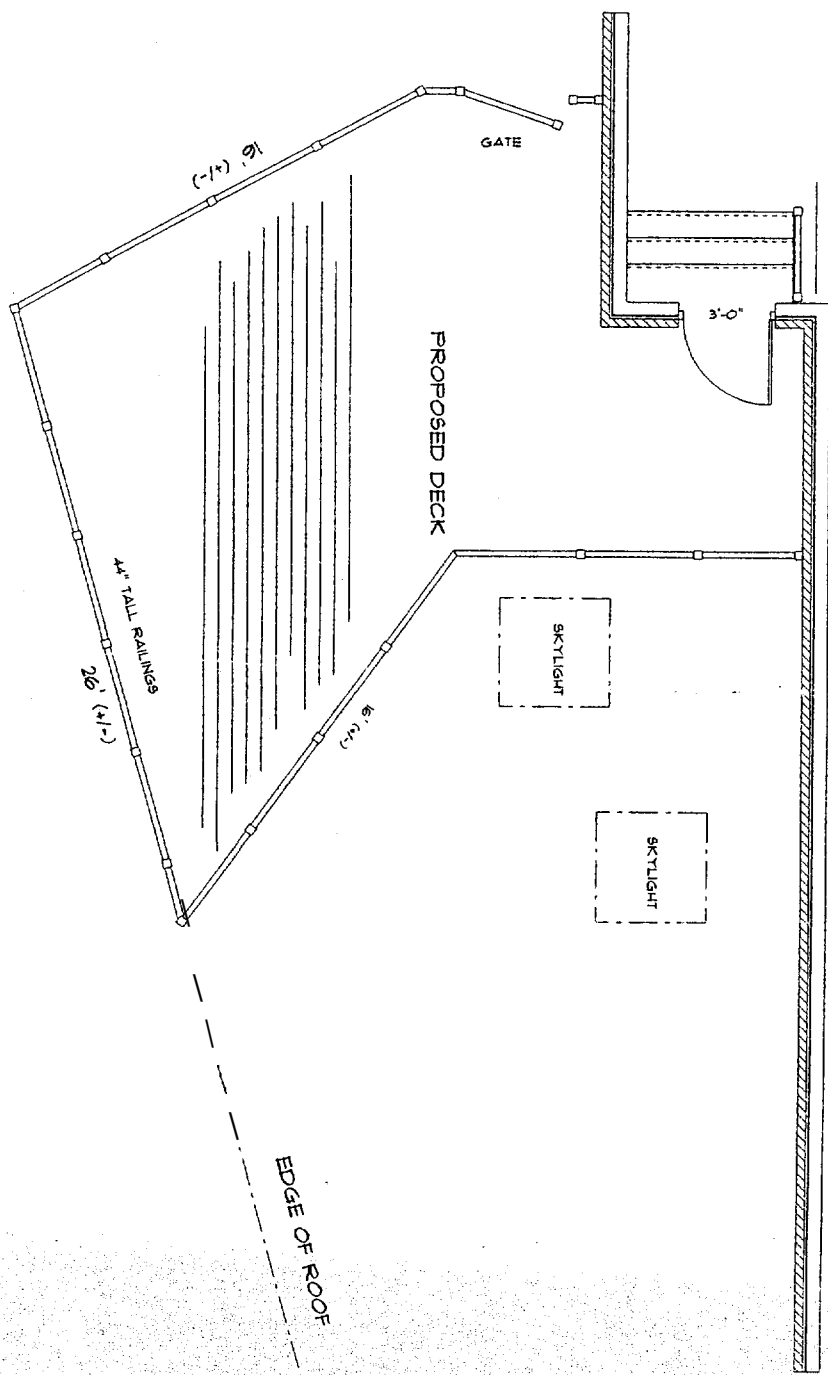


*Build details on
Proposed deck plan*

DECK AS BUILT





NAME FRIEDMAN GAYTHWAITE		SCALE 1/4" = 1'	DRAWN BY J. CALL
DRAWING 6 CITY CENTER		DATE 103	PAGE