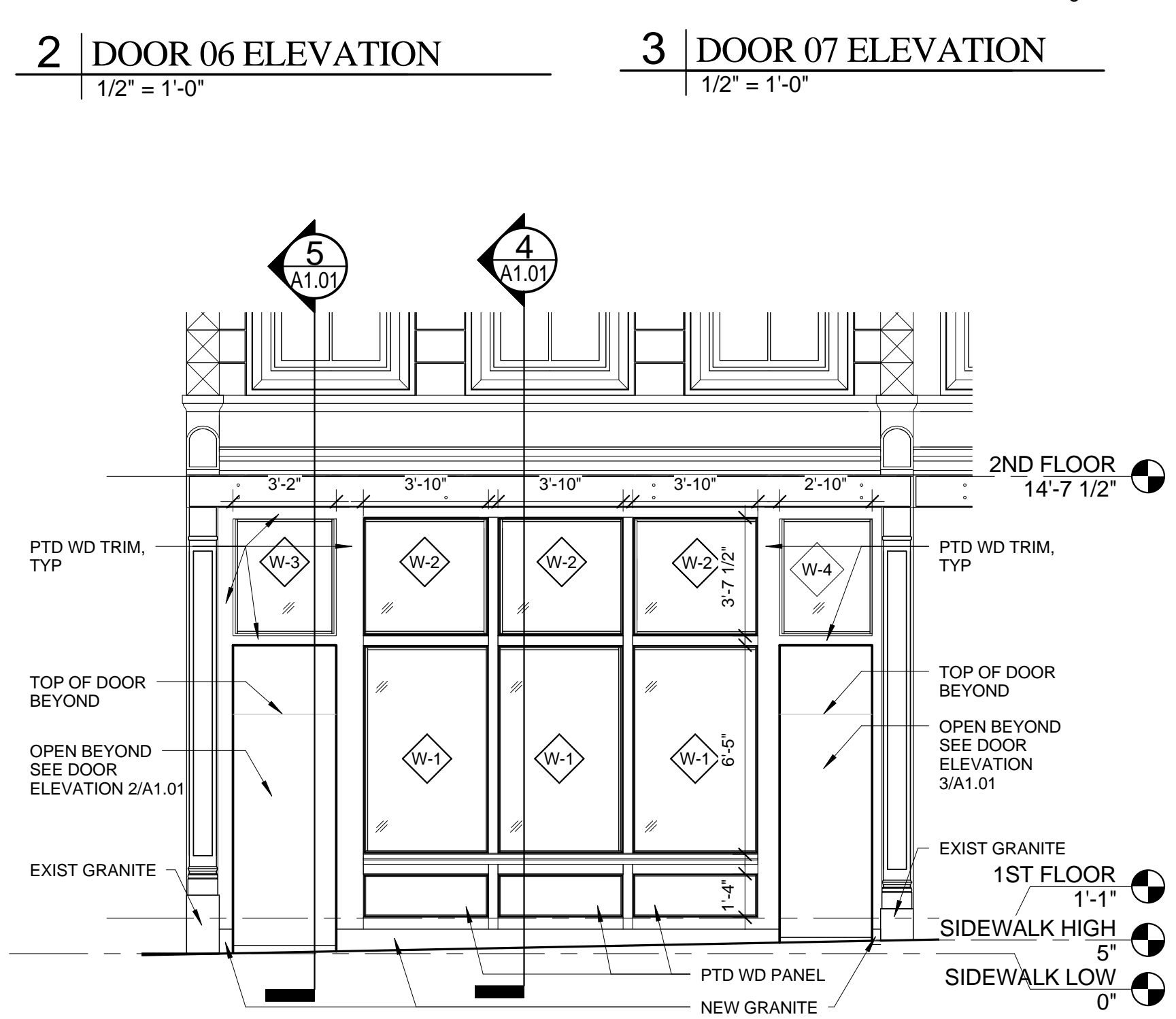
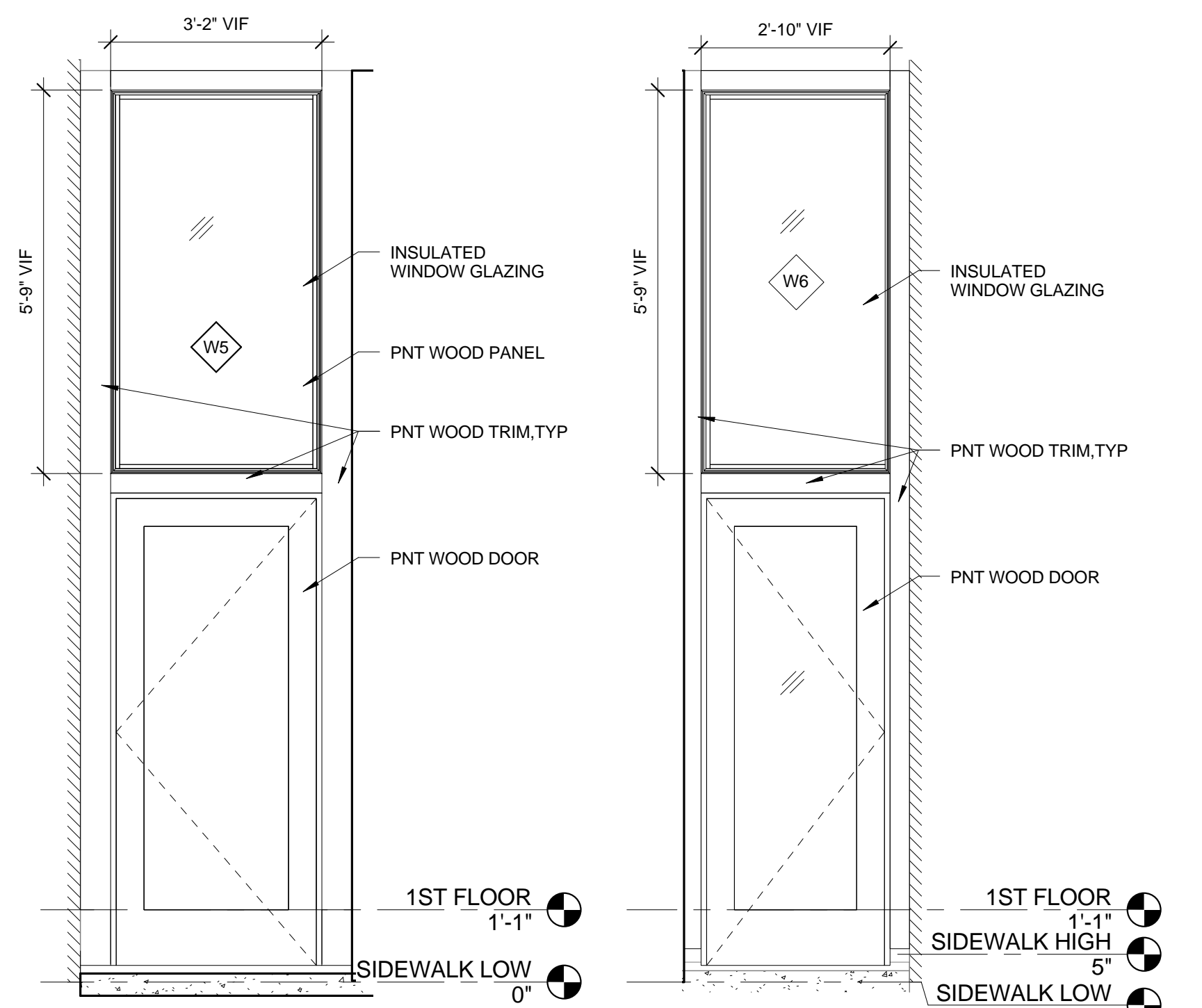
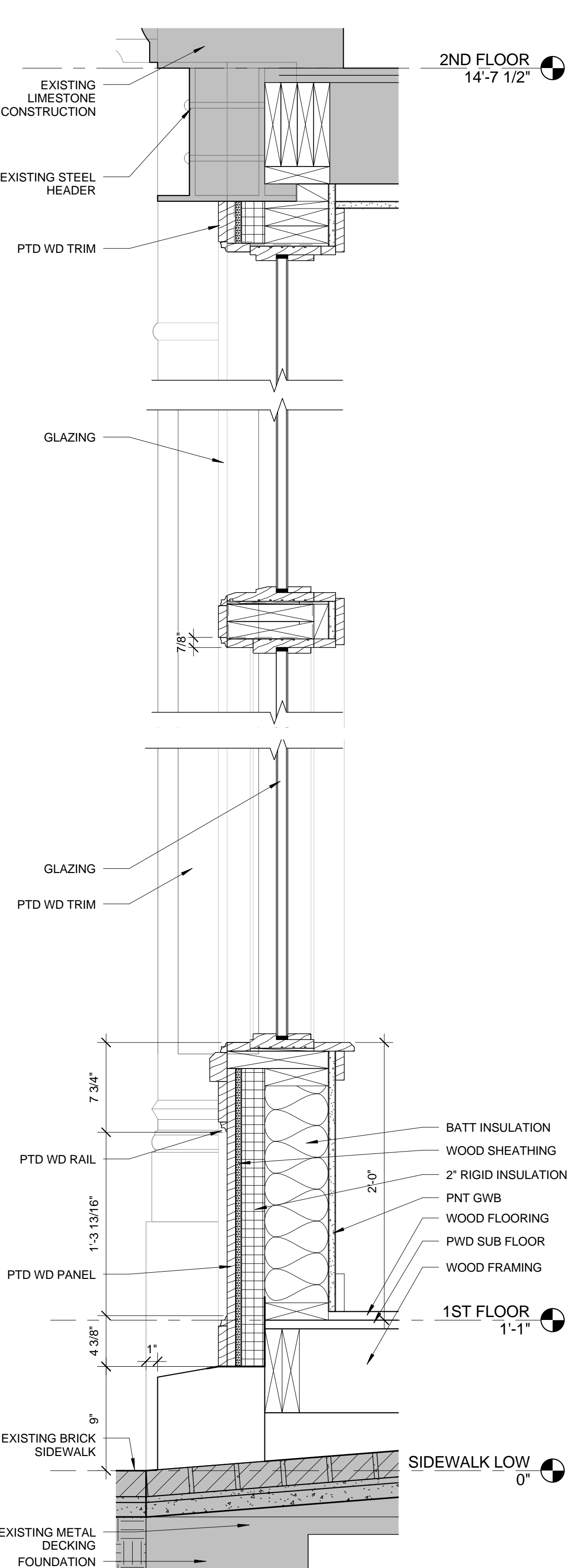
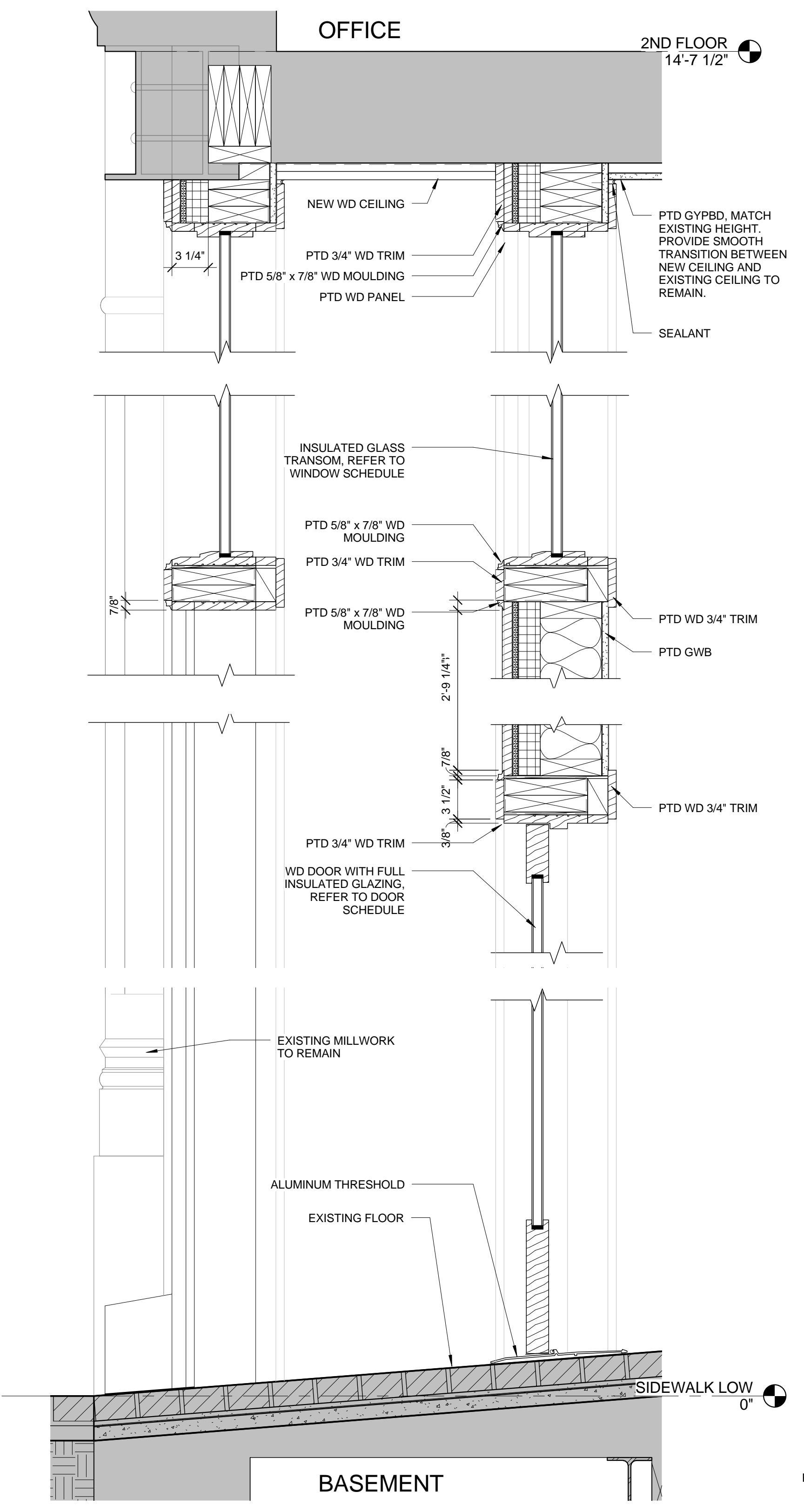


**LEGEND:**

BUILDING SECTION	
WALL SECTION	
SECTION DETAIL	
PLAN DETAIL	
WALL TYPE	
FLOOR TYPE	

NEW WALL - STUD & GYP. BD.	
NEW CMU WALL	
NEW MASONRY INFILL	
EXISTING CMU WALL	
EXISTING STUD WALL	
EXISTING MASONRY WALL	
DEMO AND REMOVE	
FIRE EXTINGUISHER CABINET	
INTERNATIONAL SYMBOL OF ACCESSIBILITY	
INTERNATIONAL SYMBOL OF ACCESS FOR HEARING LOSS	
EXISTING DOOR	
NEW DOOR	

DOOR SCHEDULE											
NO.	DOOR			FRAME			L	OPER.	CL.	REMARKS	
	W	TH	H	MAT'L	ELE	THR					MAT'L
03	2'-10"	1 3/4"	6'-8"	EXST	EXST	EXST	EXST	--	--	No	EXISTING DOOR TO BE FINISHED PER FINISH SCHEDULE
04	3'-0"	1 3/4"	6'-8"	EXST	EXST	EXST	EXST	--	--	No	EXISTING DOOR TO BE FINISHED PER FINISH SCHEDULE
06	3'-0"	1 3/4"	7'-0"	WOO D	XXX	MTL	WOO D	-	ENTRANCE	Yes	INSULATED GLAZING, WEATHER SEAL
07	2'-8"	1 3/4"	7'-0"	WOO D	XXX	MTL	WOO D	-	ENTRANCE	Yes	INSULATED GLAZING, WEATHER SEAL



Prepared For:

Consultant:

Architect: **ARCHETYPE architects**  
48 Union Wharf Portland, Maine 04101  
(207) 772-6022 ARCHETYPE@ARCHETYPED.COM

Project: **4 City Center**    Portland, Maine

Revisions:

Scale: As indicated

Date: Issue Date

**NEW WORK**

**A1.01**