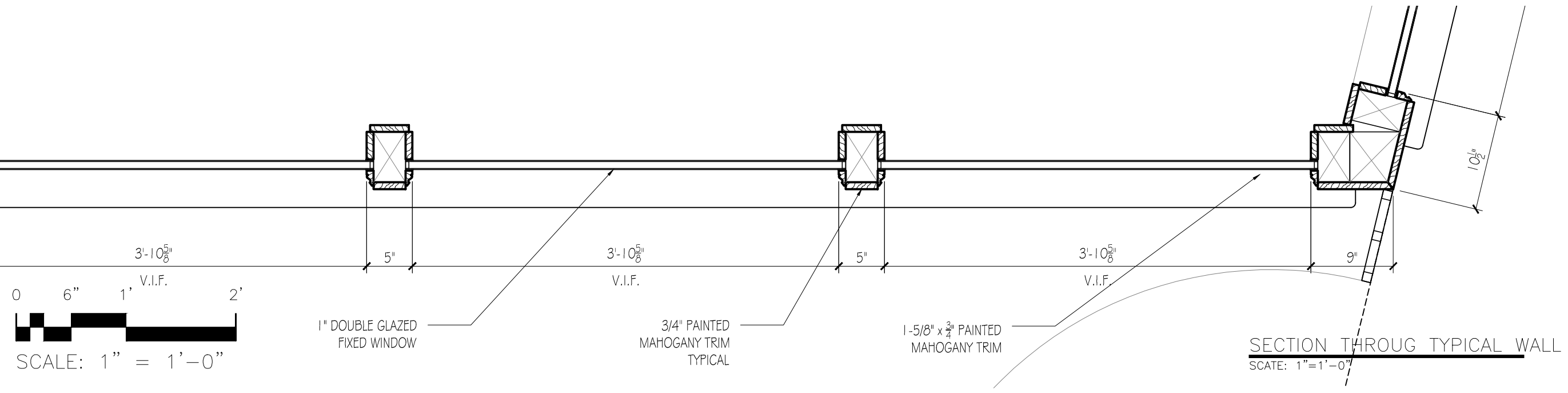
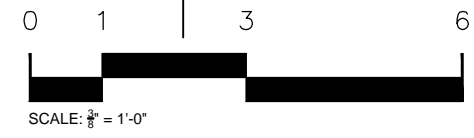


2 ENLARGED REMODELED ELEVATION (SIDE)
SCALE: 3/8" = 1'-0"



SECTION THROUGH TYPICAL WALL
SCALE: 1" = 1'-0"

| NO | REMARKS | BY | DATE |
|----|---------------------------|-----|----------|
| A | Issued for reference only | JJO | 04-16-13 |
| B | Issued for Permitting | JJO | 05-08-13 |
| C | Revised per City Comments | JJO | 10-07-13 |

CODE: IBC 2009
TOWN: Portland
DATE: 04-16-13
SCALE: as noted
DRAWN: JJO
TITLE: Enlarged Elevation
FILE:
SHEET: A1-05