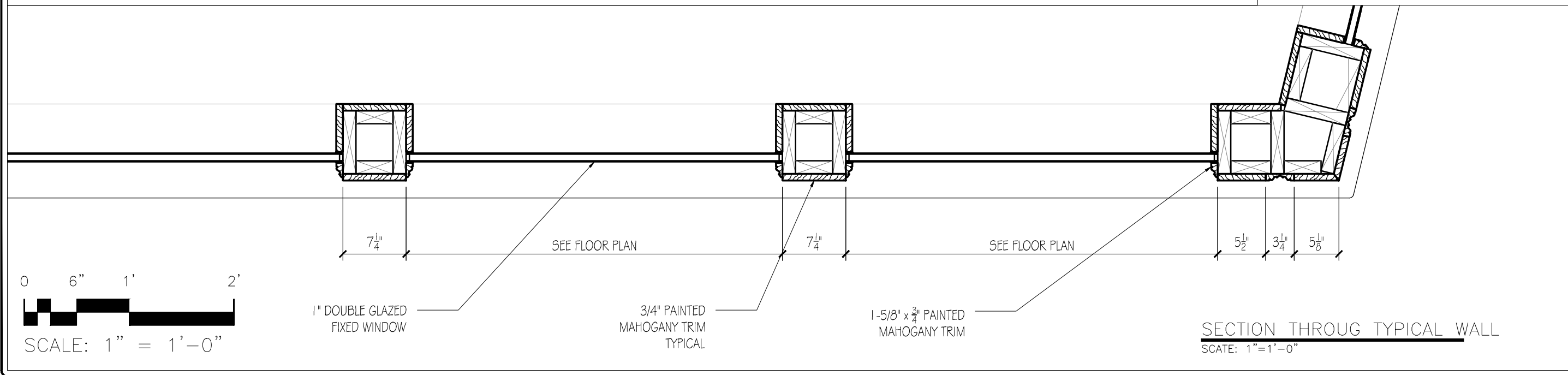
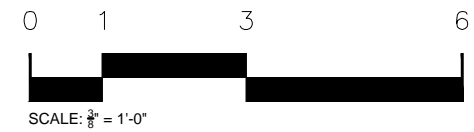


ENLARGED REMODELED ELEVATION (SIDE)
SCALE: $\frac{3}{8}" = 1'-0"$



SECTION THROUG TYPICAL WALL
SCALE: $1" = 1'-0"$

NO	DATE	REMARKS
A	04-16-13	Issued for reference only
B	05-08-13	Issued for Permitting

BY	JJO	JJO	JJO

CODE:	IBC 2009
TOWN:	Portland
DATE:	04-16-13
SCALE:	as noted
DRAWN:	JJO
TITLE:	Enlarged Elevation
FILE:	
SHEET:	A0-04