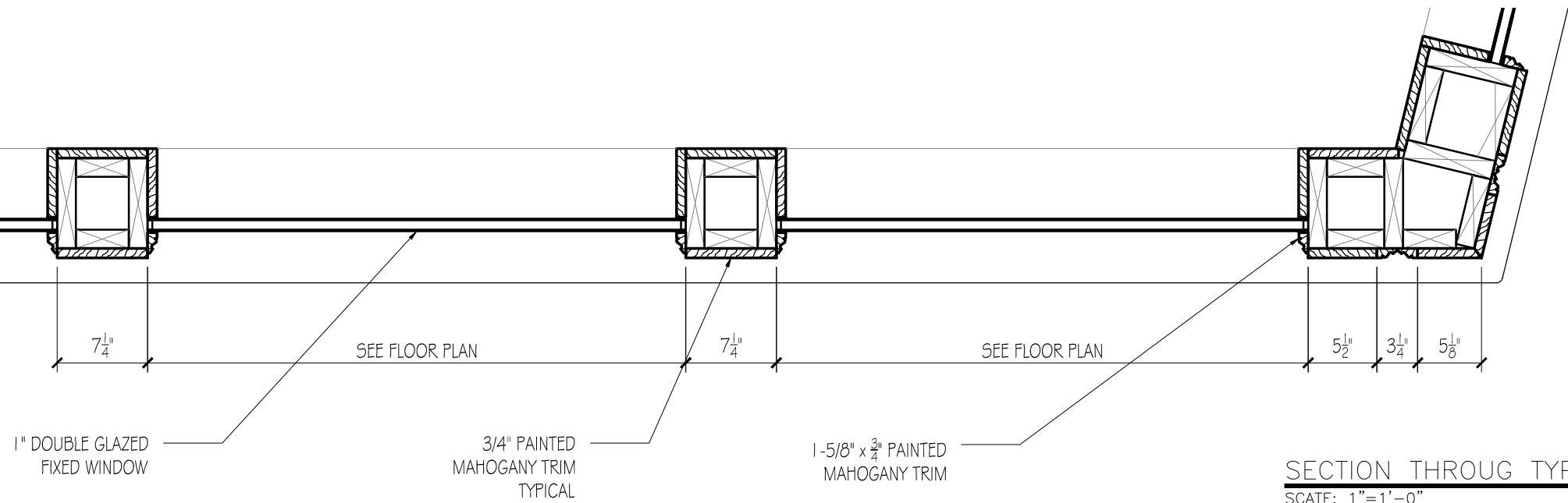
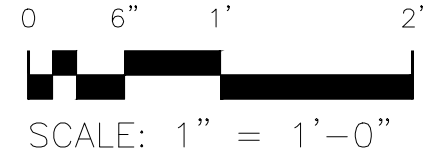
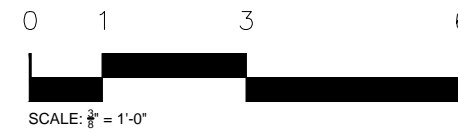


ENLARGED REMODELED ELEVATION (SIDE)
 SCALE: 3/8" = 1'-0"



NO	DATE	REMARKS	BY
A	04-16-13	Issued for reference only	JJO
B	05-08-13	Issued for Permitting	JJO

CODE: IBC 2009
 TOWN: Portland
 DATE: 04-16-13
 SCALE: as noted
 DRAWN: JJO
 TITLE: Enlarged Elevation
 FILE:
 SHEET: A0-04