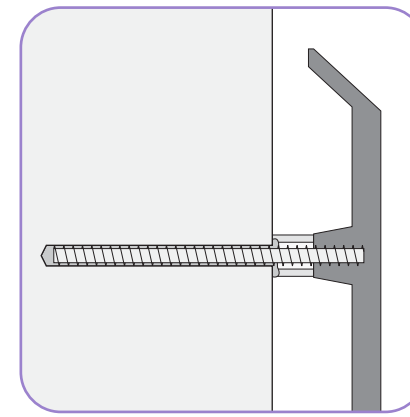


2 3 CAST METAL WALL LETTERS
 SCALE: 3/4" = 1'-0" (2) SETS

6" CLARENDON FORTUNE BOLD, ANODIZED ALUMINUM, STUD-MOUNT (MIN. 3 PER LETTER)

ALIGN WITH WINDOWS
 CENTER VERTICALLY IN V.O.



ALUMINUM STUDS, SET AND SEALED IN HOLES WITH SILICONE ADHESIVE

STUD-MOUNTING DETAIL
 NOT TO SCALE



Neokraft Signs Inc.
 686 Main Street
 Lewiston, Maine 04240
 Telephone: 207.782.9654
 Facsimile: 207.782.0009
 1.800.339.2258
<http://www.neokraft.com>

Custom Sign Fabrication

These plans are the exclusive property of Neokraft Signs, Inc. and are the result of the original work of its employees. They are submitted to Neokraft's client for the sole purpose of consideration of whether to purchase these plans or to purchase from Neokraft a sign manufactured according to these plans.

Distribution or exhibition of these plans to anyone other than employees of said client, or use of these plans to construct a sign similar to the one embodied herein, is expressly forbidden. In the event that such exhibition or construction occurs, Neokraft expects to be reimbursed \$1500 in compensation for time and effort entailed in creating these plans.

PERMIT

**NORTH ATLANTIC
 CAPITAL CORP.
 3170.1**

LOCATION: 2 CITY CENTER
 PORTLAND, ME

DRAWING NO.: 2 OF 3

DRAWN BY: DS REP.: CB

DATE: 06.14.2017

QUOTE: @2909

GEN REF.:



2 INSTALLATION LOCATION
 NOT TO SCALE: 3/8" = 1'-0"±



3 INSTALLATION LOCATION
 NOT TO SCALE: 3/8" = 1'-0"±