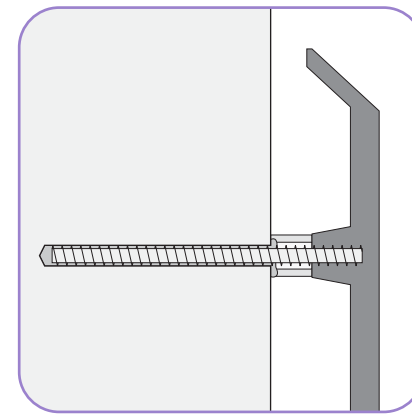


12'-8"±

6"

NORTH ATLANTIC CAPITAL TWO CITY CENTER



ALUMINUM STUDS, SET
AND SEALED IN HOLES
WITH SILICONE ADHESIVE

STUD-MOUNTING DETAIL
NOT TO SCALE

1 **CAST METAL WALL LETTERS**
SCALE: 3/4"=1'-0" (1) SET

6" CLARENDON FORTUNE BOLD, ANODIZED
ALUMINUM, STUD-MOUNT (MIN. 3 PER LETTER)

RIGHT-ALIGN WITH WINDOWS
CENTER VERTICALLY IN V.O.



Neokraft Signs Inc.
686 Main Street
Lewiston, Maine 04240
Telephone: 207.782.9654
Facsimile: 207.782.0009
1.800.339.2258
<http://www.neokraft.com>

Custom Sign Fabrication

These plans are the exclusive property of Neokraft Signs, Inc. and are the result of the original work of its employees. They are submitted to Neokraft's client for the sole purpose of consideration of whether to purchase these plans or to purchase from Neokraft a sign manufactured according to these plans.

Distribution or exhibition of these plans to anyone other than employees of said client, or use of these plans to construct a sign similar to the one embodied herein, is expressly forbidden. In the event that such exhibition or construction occurs, Neokraft expects to be reimbursed \$1500 in compensation for time and effort entailed in creating these plans.

PERMIT

**NORTH ATLANTIC
CAPITAL CORP.**
3170.1

LOCATION: 2 CITY CENTER
PORTLAND, ME

DRAWING NO.: 1 OF 3

DRAWN BY: DS REP.: CB

DATE: 06.14.2017

QUOTE: @2909

GEN REF.:



LOCATION NO. 1
NOT TO SCALE: 3/16"=1'-0"±