

Neokraft Signs Inc.
 686 Main Street
 Lewiston, Maine 04240
 Telephone: 207.782.9654
 Facsimile: 207.782.0009
 1.800.333.2258
<http://www.neokraft.com>

Custom Sign Fabrication

These plans are the exclusive property of Neokraft Signs, Inc. and are the result of the original work of its employees. They are submitted to Neokraft's client for the sole purpose of consideration of whether to purchase these plans or to purchase from Neokraft a sign manufactured according to these plans.

Distribution or exhibition of these plans to anyone other than employees of said client, or use of these plans to construct a sign similar to the one embodied herein, is expressly forbidden. In the event that such exhibition or construction occurs, Neokraft expects to be reimbursed \$1500 in compensation for time and effort entailed in creating these plans.

END VIEW

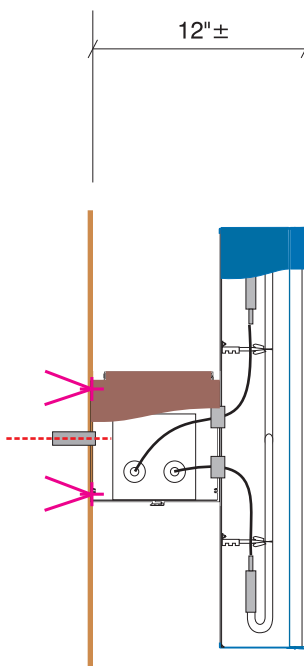
INTERNALLY ILLUMINATED WALL ID

SCALE: 1/2" = 1'-0" (1) SET

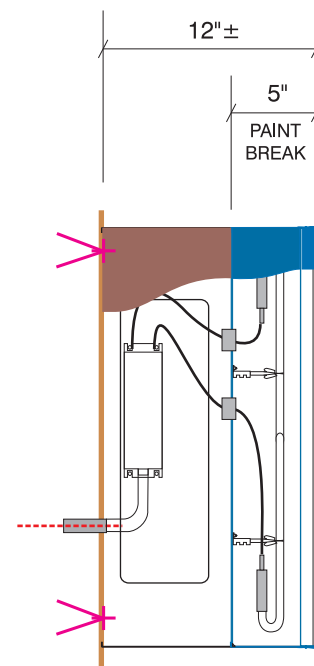
PERMIT

LEGACY PROPERTIES 1821.1

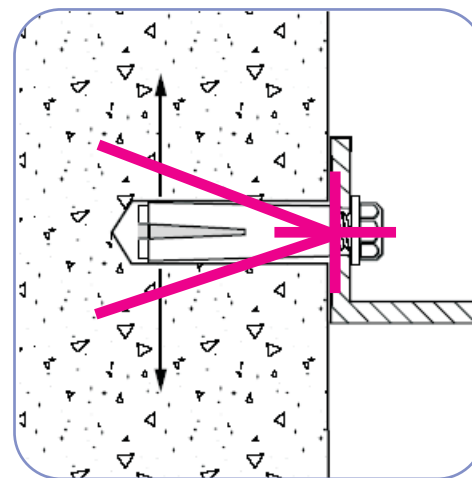
LOCATION:	TWO CITY CENTER	
	PORTLAND, ME	
DRAWING NO.:	1 OF 2	
DRAWN BY:	DS	REP.: CB
DATE:	02.23.2017	
QUOTE:	@1821	
GEN REF.:	'07 7054	



SECTION—LETTERS & LOGO
NO SCALE



SECTION—STRIPE
NO SCALE



SLEEVE-ANCHOR MOUNTING DETAIL
NOT TO SCALE

LOK-BOLT™ ANCHORING SYSTEM AS MFG BY POWERS FASTENERS, NEW ROCHELLE, NY OR EQUAL:

A PRE-ASSEMBLED SINGLE UNIT SLEEVE ANCHOR FOR ANCHORING INTO SOLID AND HOLLOW CONCRETE AND MASONRY SUBSTRATES

PATENTED COMPRESSION RING PULLS FIXTURE FLUSH TO THE WORK SURFACE

AVAILABLE IN CARBON STEEL AND TYPE 304 STAINLESS STEEL; SEVERAL HEAD STYLES

SIZE RANGE: 1/4" DIA. x 5/8" TO 3/4" DIA. x 7 1/2"