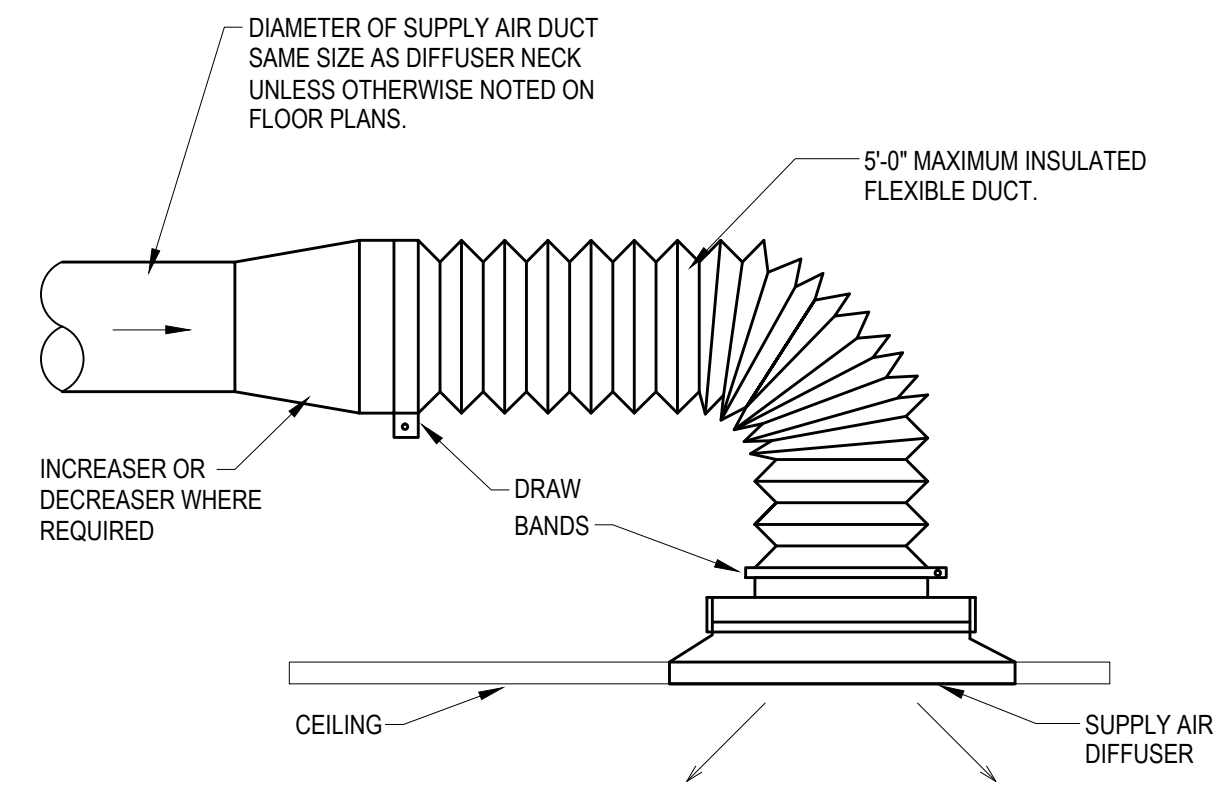


**COFFEE MAKER & SINK PIPING DETAIL**  
NOT TO SCALE



**SUPPLY AIR DIFFUSER WITH FLEXIBLE DUCT CONNECTOR**  
NOT TO SCALE

AIR CONDITIONER SCHEDULE															
MARK	MANUFACTURER	MODEL	ARRANGEMENT	COOLING CAPACITY	EVAPORATOR CFM	CONDENSOR CFM	REFRIG.	WATTS	VOLTAGE/PHASE	WSA	FLA	OPD	FILTER QTY/SIZE	UNIT WEIGHT	REMARKS
AC-1	TRIPP-LITE	SRCOOL12K	PORTABLE	12,000 BTU	329	311	R410A	1250	120/1Φ	0.0	0.0	0.0	120/1	73.9 LBS	A, B, C, D

- A. 6' POWER CORD
- B. UNIT MOUNTED CONTROL
- C. HOT EXHAUST AIR REMOVAL TUBE
- D. DROP-CEILING VENTILATION KIT

DIFFUSER, REGISTER, & GRILLE SCHEDULE										
MARK	MANUFACTURER	TYPE	MODEL	CFM RANGE	NECK DIA.	FACE SIZE	CEILING MODULE SIZE	VOLUME CONTROL DAMPER	FINISH	REMARKS
CD-1	PRICE	CEILING SUPPLY	SPD	50	8"	24"x24"	24"x24"	DUCT MOUNTED	WHITE	A
CD-2	PRICE	CEILING SUPPLY	SPD	150	8"	24"x24"	24"x24"	DUCT MOUNTED	WHITE	A
CD-3 (2)	PRICE	CEILING SUPPLY	SPD	150	8"	24"x24"	24"x24"	DUCT MOUNTED	WHITE	A
RG-1	PRICE	CEILING RETURN	SPD	.	10"	24"x24"	24"x24"	.	WHITE	A
RG-2	PRICE	CEILING RETURN	SPD	.	12"	24"x24"	24"x24"	.	WHITE	A, B

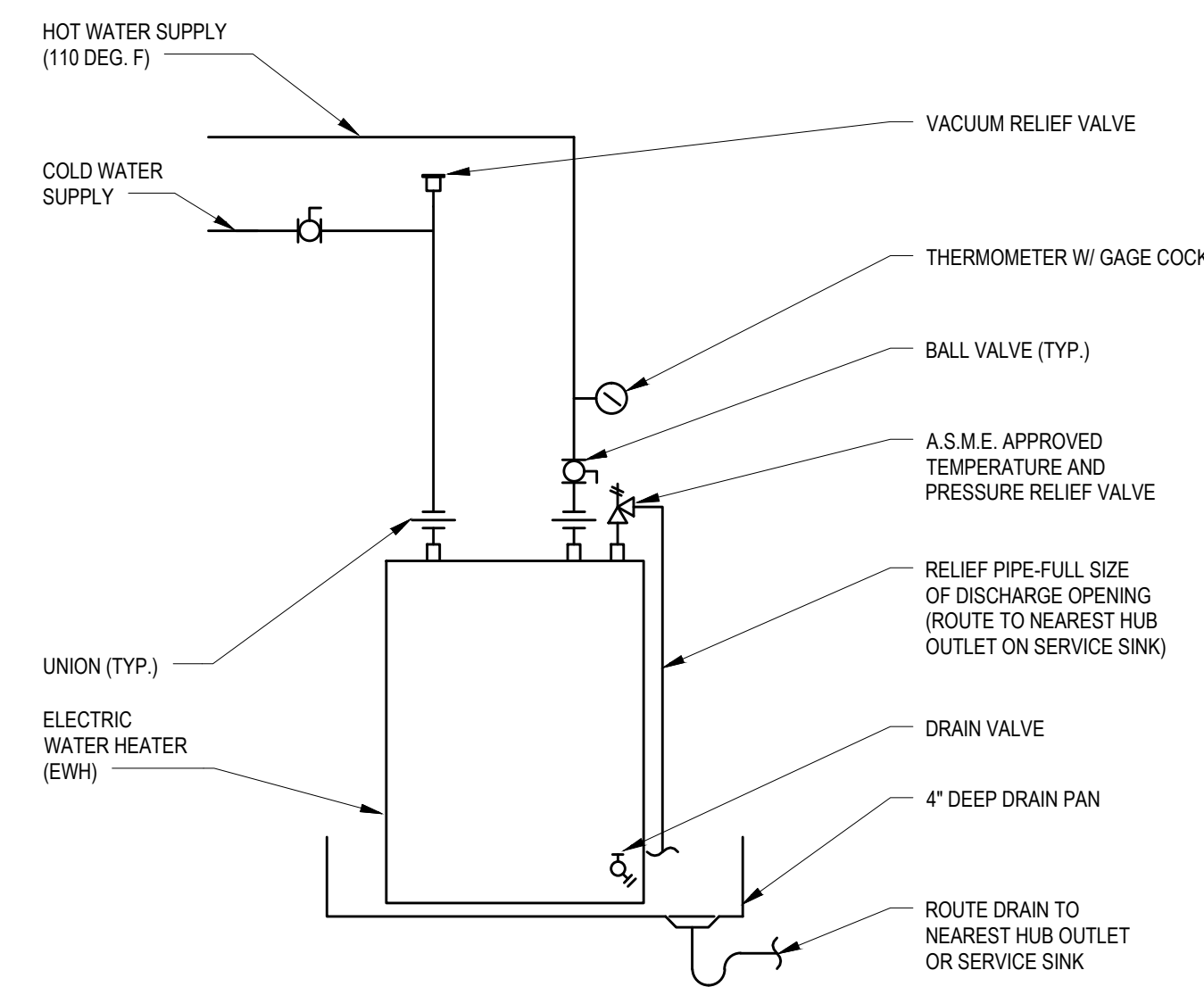
- A. FOR LAY-IN APPLICATION
- B. PROVIDE WITH ACOUSTICAL BOOT ON RETURN GRILLE

PLUMBING FIXTURE SCHEDULE									
MARK	DESCRIPTION	W*	V*	CW	HW	REMARKS			
SK-1	PANTRY AND WELLNESS ROOM: ELKAY LUSTERTONE MODEL LRAD1918601 ADA LUSTERTONE COUNTERTOP SINK, TYPE 304, 18 GAUGE POLISHED STAINLESS STEEL, 21" X 15-3/4" X 6-1/2" DEEP BOWL (BOWL SIZE), SOUND DEADENING FAUCET: ELKAY MODEL LK7921-SSS DECK MOUNTED WASHERLESS MIXING FAUCET, BRASS RIGID/SWING GOOSENECK SPOUT, SINGLE HOLE SUPPLIES. PROVIDE ELKAY MODEL LK4D-18 STRAINER CHROME PLATED BRASS P-TRAP W/ CLEAN-OUT PLUG, AND DISHWASHER DRAIN CONNECTION, SUPPLIES AND ESCUTCHEON PLATES. THERMOSTATIC/PRESSURE BALANCING MIXING VALVE - POWERS E480TP, ASSE 1016 LISTED, 1/2" CONNECTIONS.	1-1/2"	1-1/2"	1/2"	1/2"	A, B			

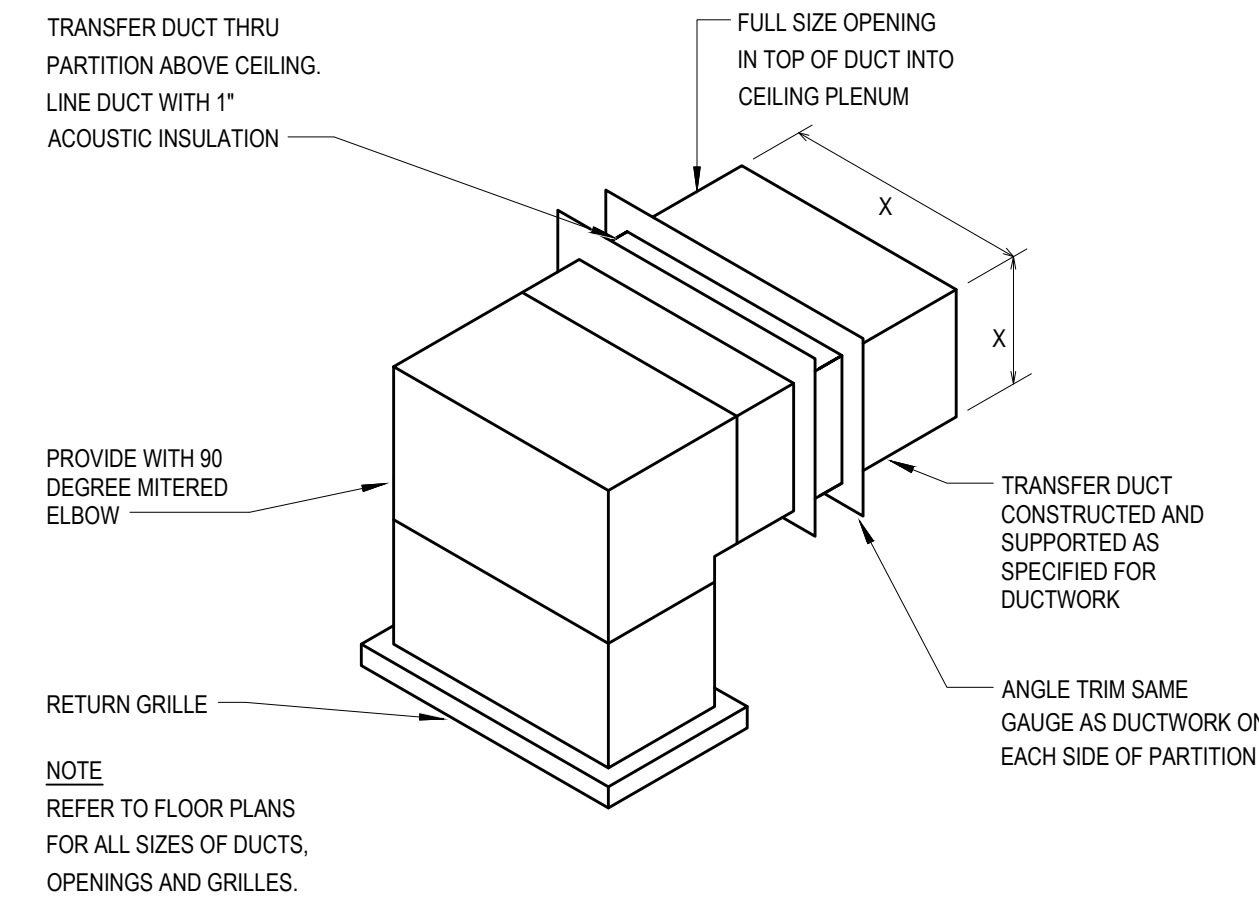
- A. 3/8" C.P. SUPPLY ASSEMBLIES WITH 1/2" X 3/8" LOOSE ANGLE KEY STOPS AND ESCUTCHEON PLATES
- B. 1-1/2" 17 GA. CHROME PLATED TUBULAR BRASS P-TRAP W/ CLEANOUT PLUG & ESCUTCHEON PLATE
- \*. UNLESS OTHERWISE SHOWN ON DRAWINGS

ELECTRIC WATER HEATER SCHEDULE										
MARK	LOCATION	ROOM NUMBER	MANUFACTURER	MODEL	KW	GALLON CAPACITY	GPH@70 DEG RISE	NUMBER OF ELEMENTS	VOLTAGE/PHASE	REMARKS
EWH-1	PANTRY	301	LOCHINVAR	JRC-005DS	1.65	6.0	10	1	120/1Φ	A, B, C

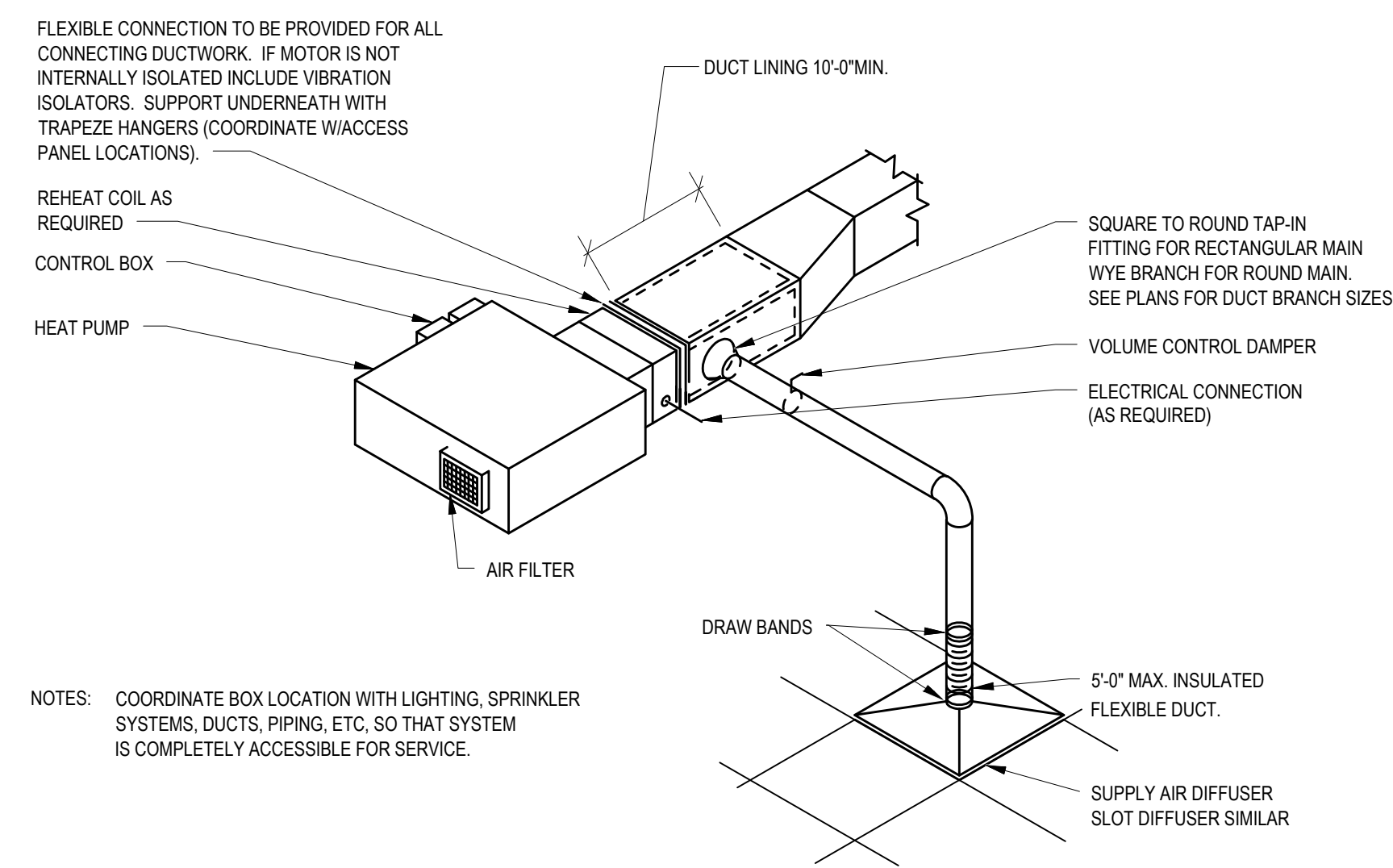
- A. DISCONNECT SWITCH
- B. THERMOSTATIC MIXING VALVE - SET AT 110 DEG. F
- C. DRAIN PAN



**ELECTRIC WATER HEATER (SHELF MOUNTED)**  
NOT TO SCALE



**RETURN GRILLE DUCTED TO PLENUM**  
NOT TO SCALE



**HEAT PUMP DETAIL**  
NOT TO SCALE

**HVAC & PIPING ABBREVIATIONS**

AC AIR CONDITIONER  
CD CEILING DIFFUSER  
EWH ELECTRIC WATER HEATER  
EF EXHAUST FAN

HP HEAT PUMP  
RG RETURN GRILLE  
SK SINK  
WCD WALL CLEANOUT

**PIPING SYMBOLS**

- TEMPERATURE GAUGE
- TRAP PRIMER
- UNION
- CONNECT NEW TO EXISTING

**DUCT SYMBOLS**

- CEILING DIFFUSER
- RETURN GRILLE
- VOLUME DAMPER

**VALVE SYMBOLS**

- DUAL CHECK VALVE
- PRESSURE RELIEF VALVE
- VACUUM RELIEF VALVE
- BALL VALVE
- PRESSURE RELIEF VALVE
- ANGLE STOP VALVE

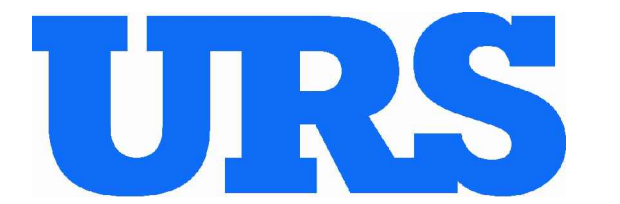
**CONTROL SYMBOLS**

- THERMOSTAT (ELECTRIC)

**PLUMBING LEGEND**

- SANITARY PIPE
- COLD WATER PIPE
- HOT WATER PIPE
- VENT PIPE

**SHEET NOTES**



2 CITY CENTER, PORTLAND, ME 04101



214 North Tryon Street  
Suite 2320  
Charlotte, NC 28202  
United States  
Tel 704.377.2725  
Fax 704.377.2807



URS CORPORATION  
MEP ENGINEERS  
27777 FRANKLIN ROAD  
SUITE 2000  
SOUTHFIELD, MI 48034  
Tel 248.204.5900  
Fax 248.204.5901

MONAGHAN WOODWORKS  
100 COMMERCIAL STREET  
SUITE #212  
PORTLAND, ME 04101  
Tel 207.775.2683  
Fax 207.772.6766

**GENERAL NOTES**

Date	Description
------	-------------

Seal / Signature

Project Name

URS - PORTLAND

Project Number

59.6222.900

Scale

As indicated

Description  
MECHANICAL SCHEDULES & DETAILS

**M601**