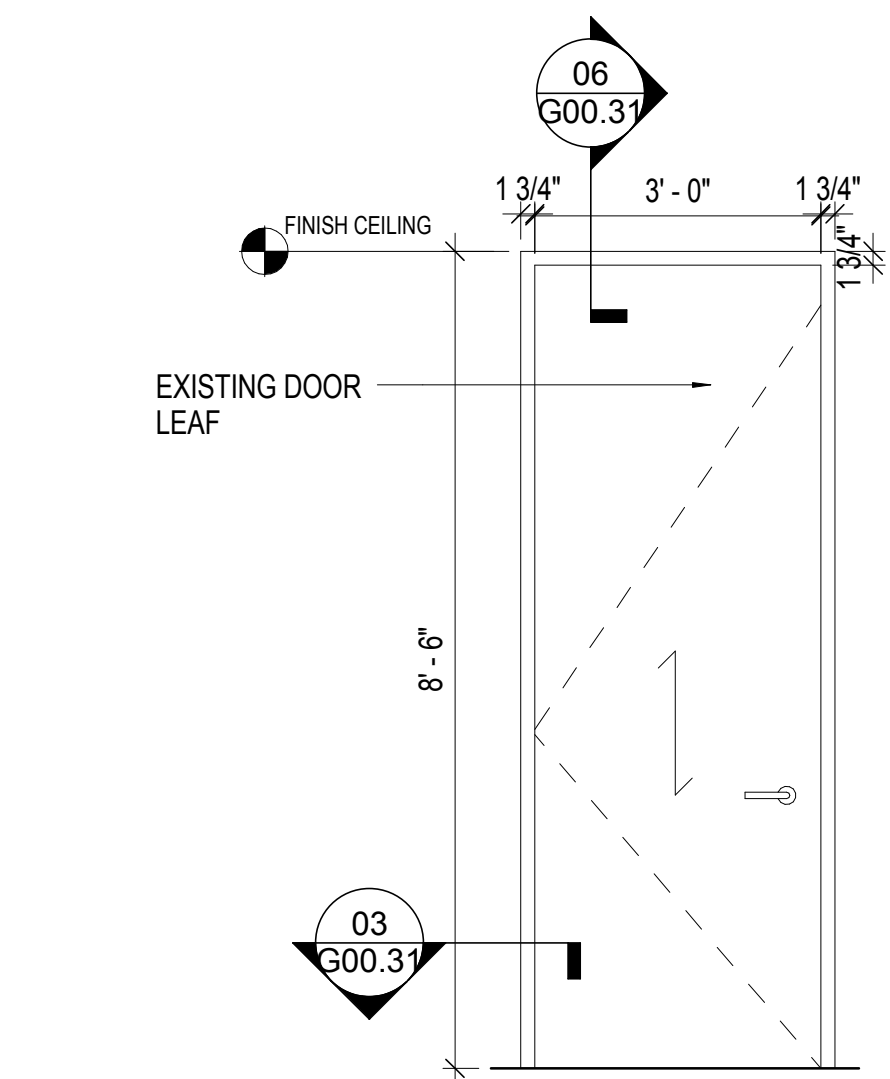
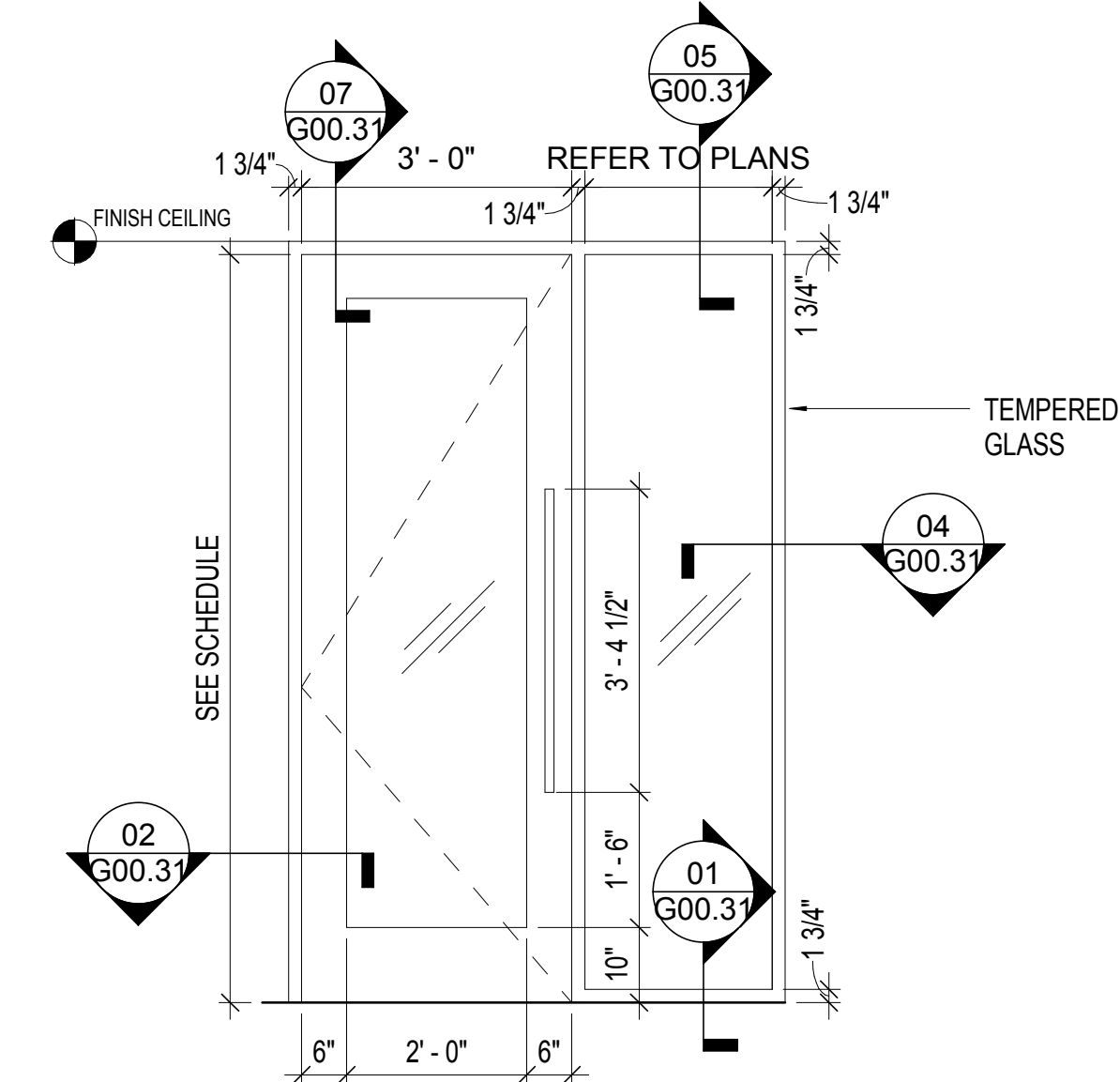


**DOOR TYPES**



**DOOR TYPE B**

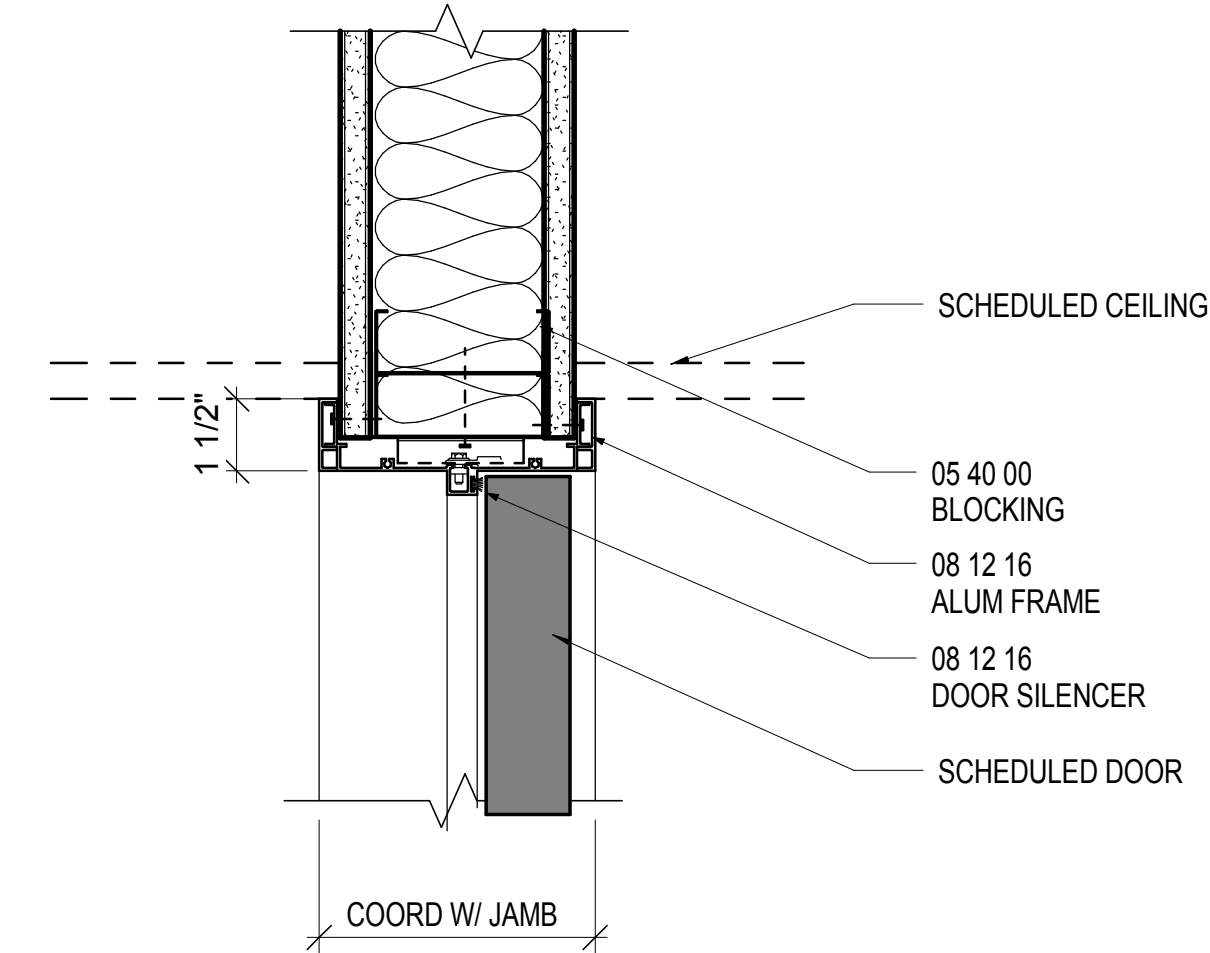
NEW WOOD LEAF IN NEW HOLLOW METAL OR WOOD FRAME - SEE SCHEDULE



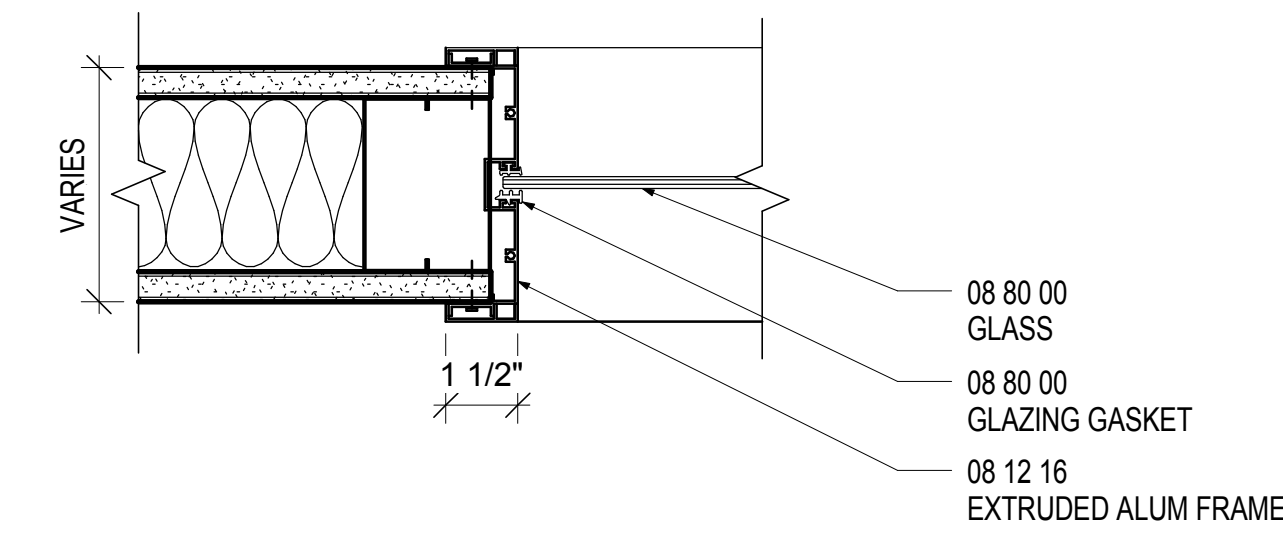
**DOOR TYPE A**

NEW ALUM./GLASS DOOR IN ALUMINUM FRAME WITH SIDELIGHT

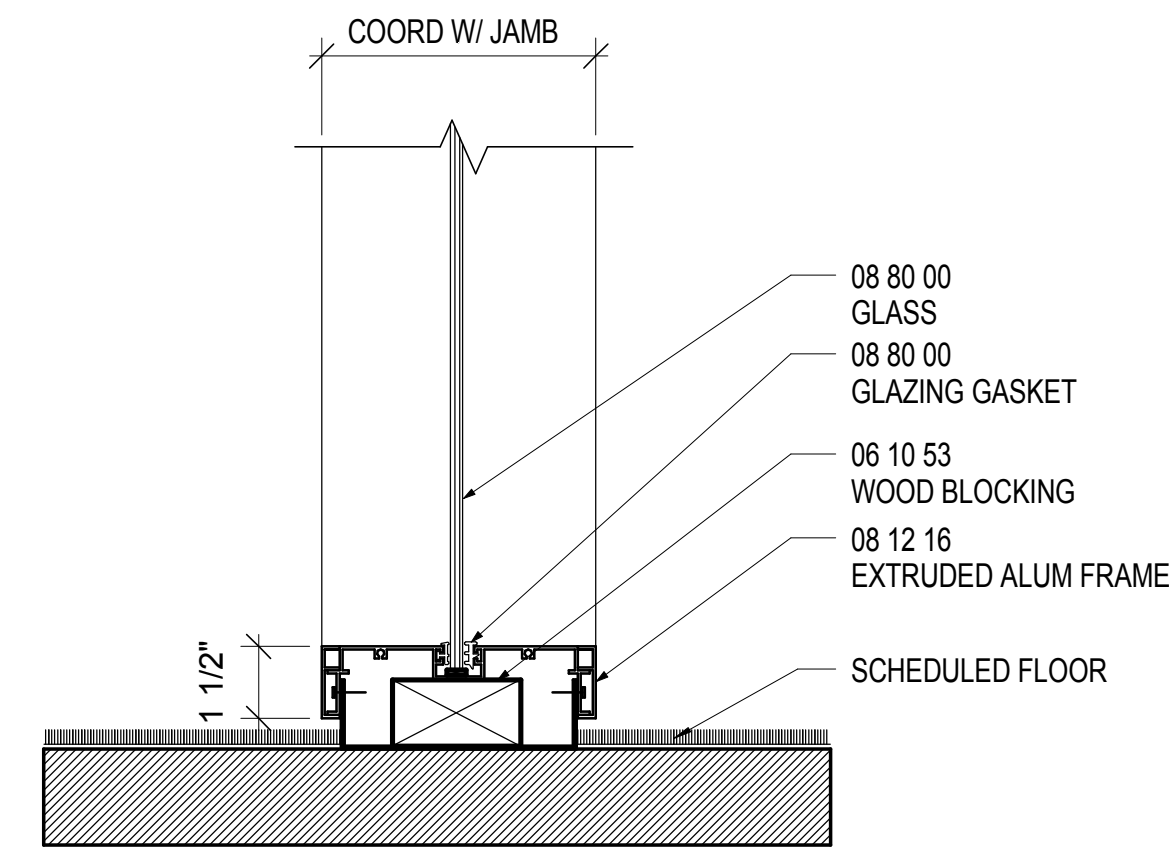
**DOOR & SIDELIGHT DETAILS**



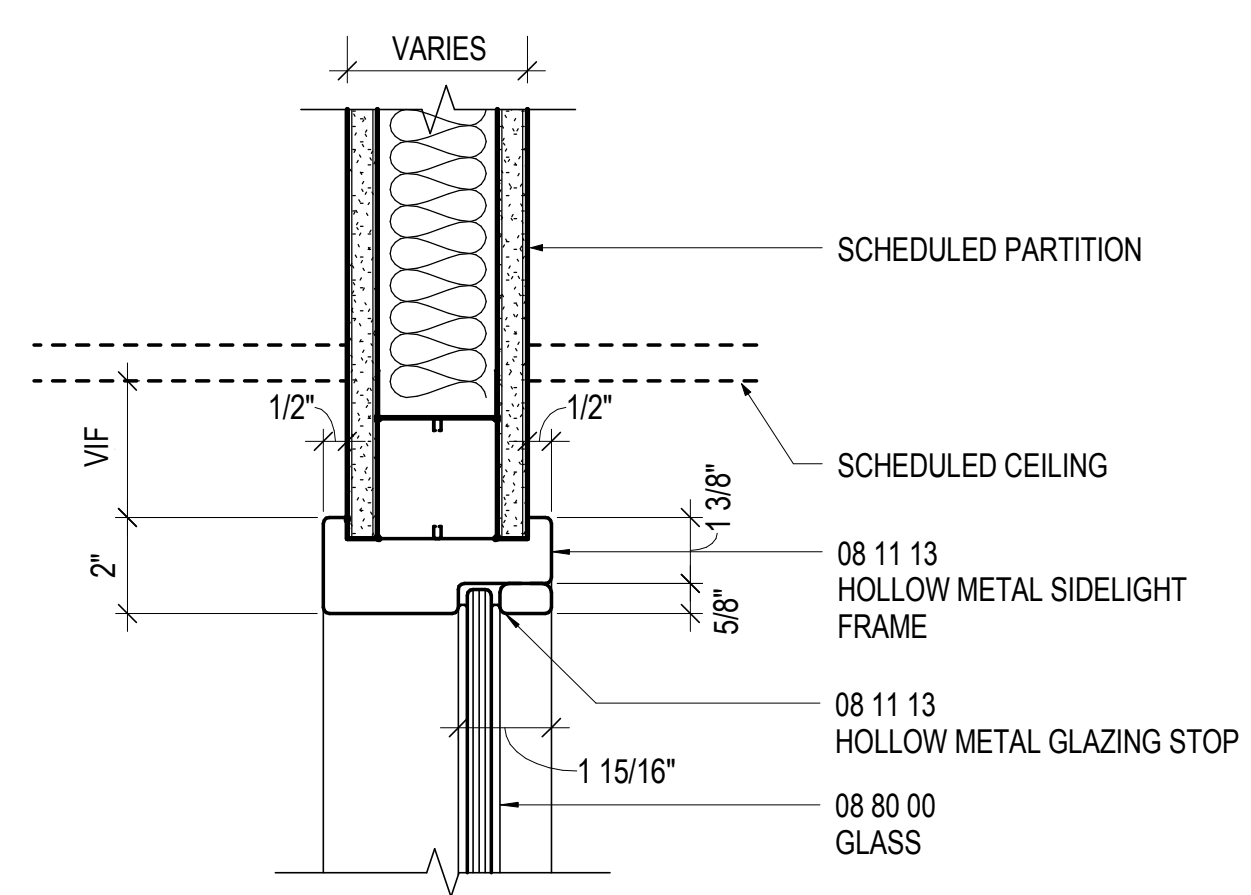
**07 ALUM STOREFRONT DOOR HEAD DETAIL**  
SCALE: 3" = 1'-0"



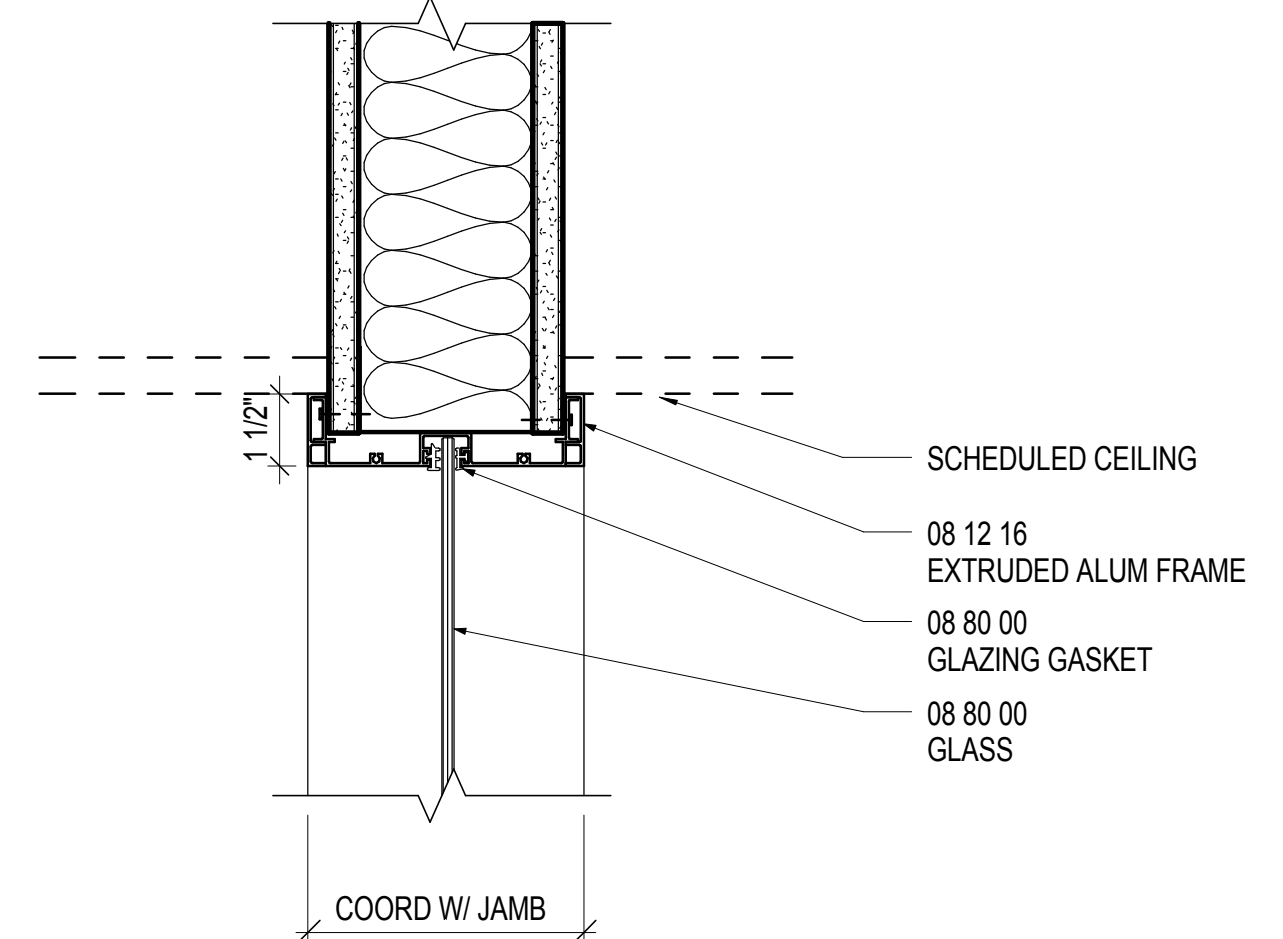
**04 ALUM STOREFRONT SIDELIGHT JAMB DETAIL**  
SCALE: 3" = 1'-0"



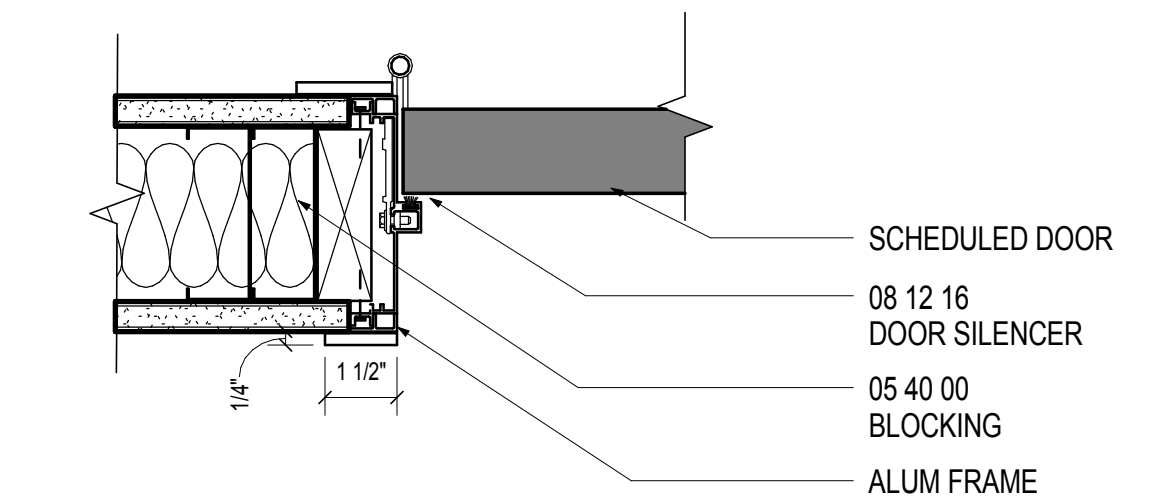
**01 ALUM STOREFRONT SIDELITE SILL DETAIL**  
SCALE: 3" = 1'-0"



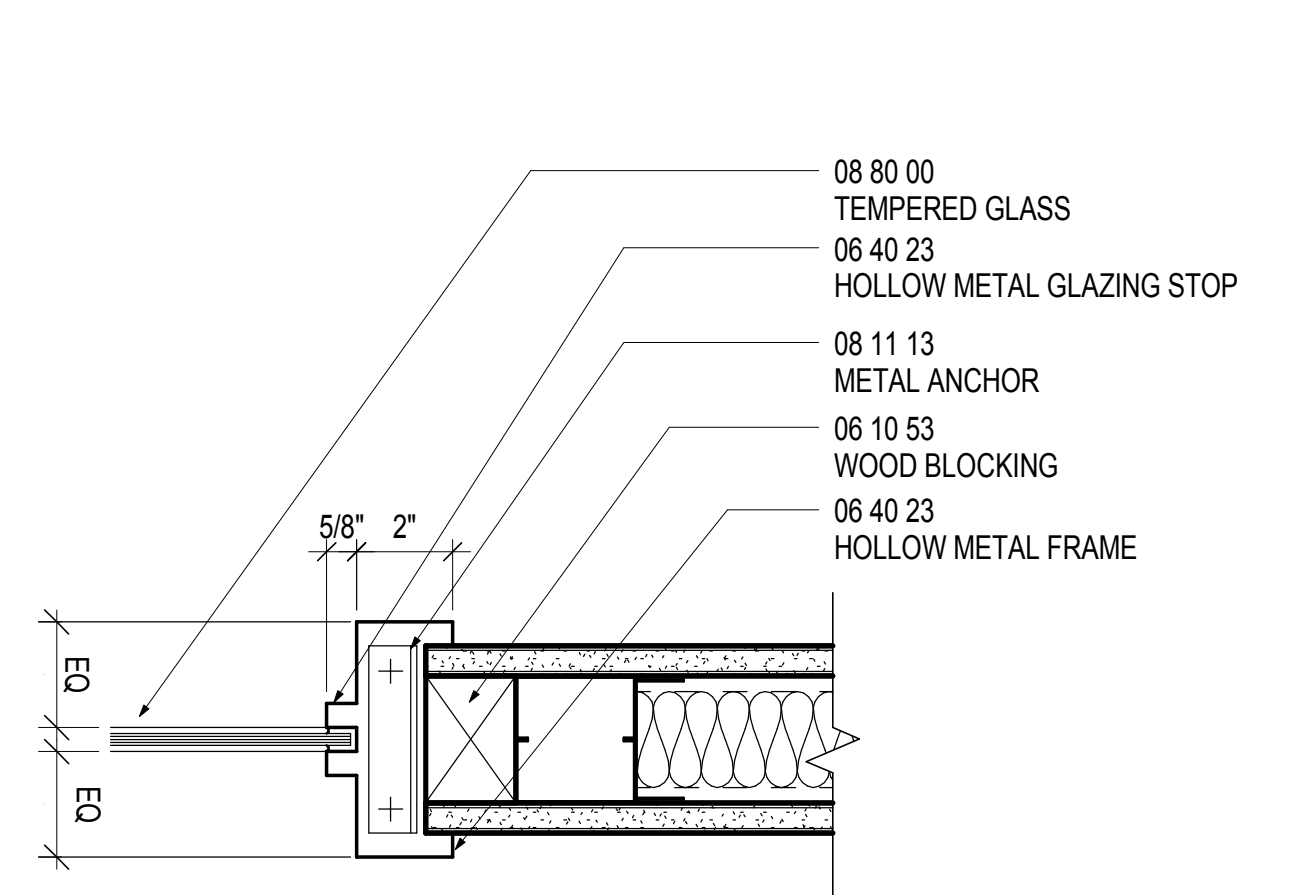
**08 H.M. SIDELIGHT - HEAD DETAIL**  
SCALE: 3" = 1'-0"



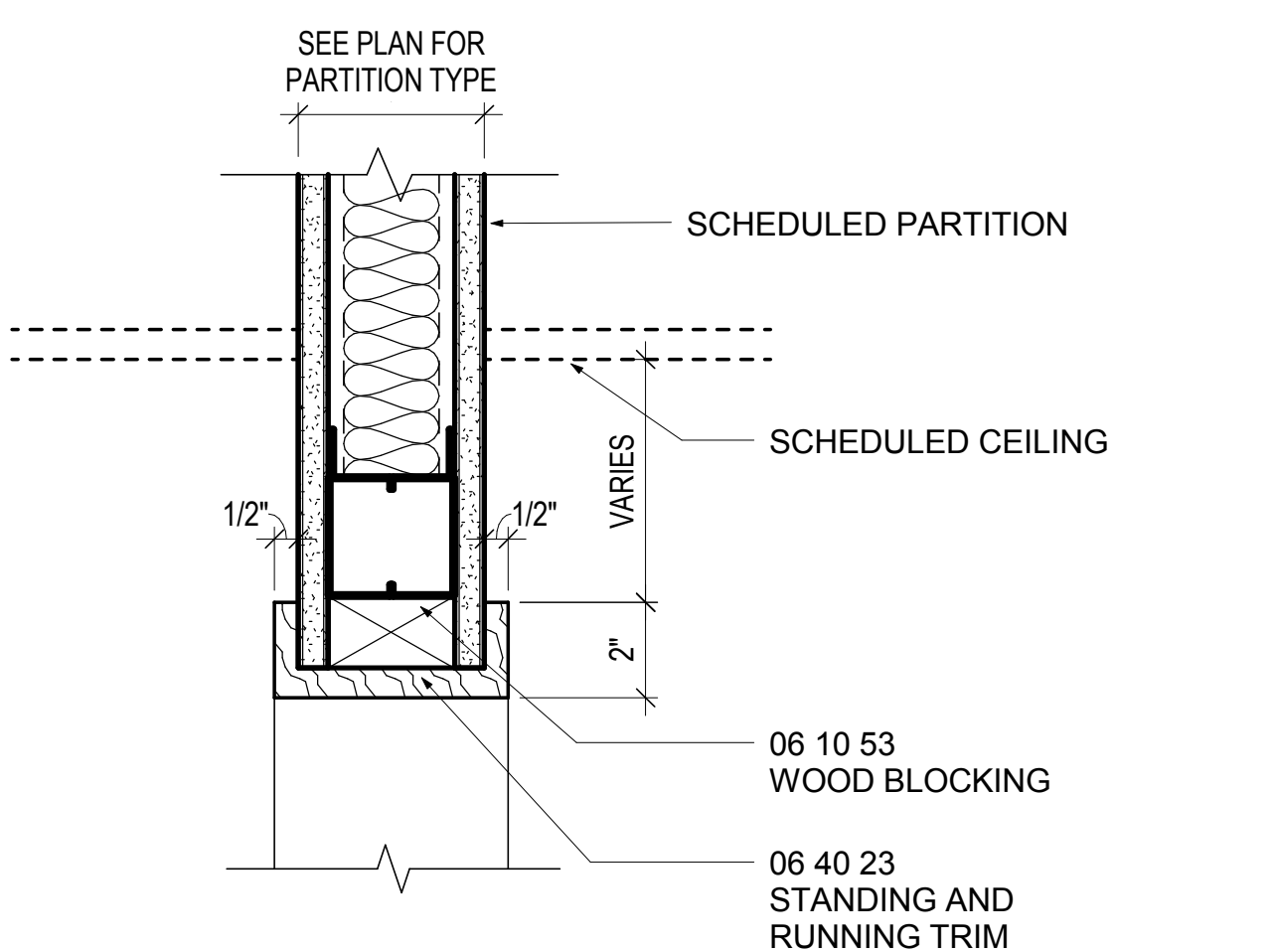
**05 ALUM STOREFRONT SIDELITE HEAD DETAIL**  
SCALE: 3" = 1'-0"



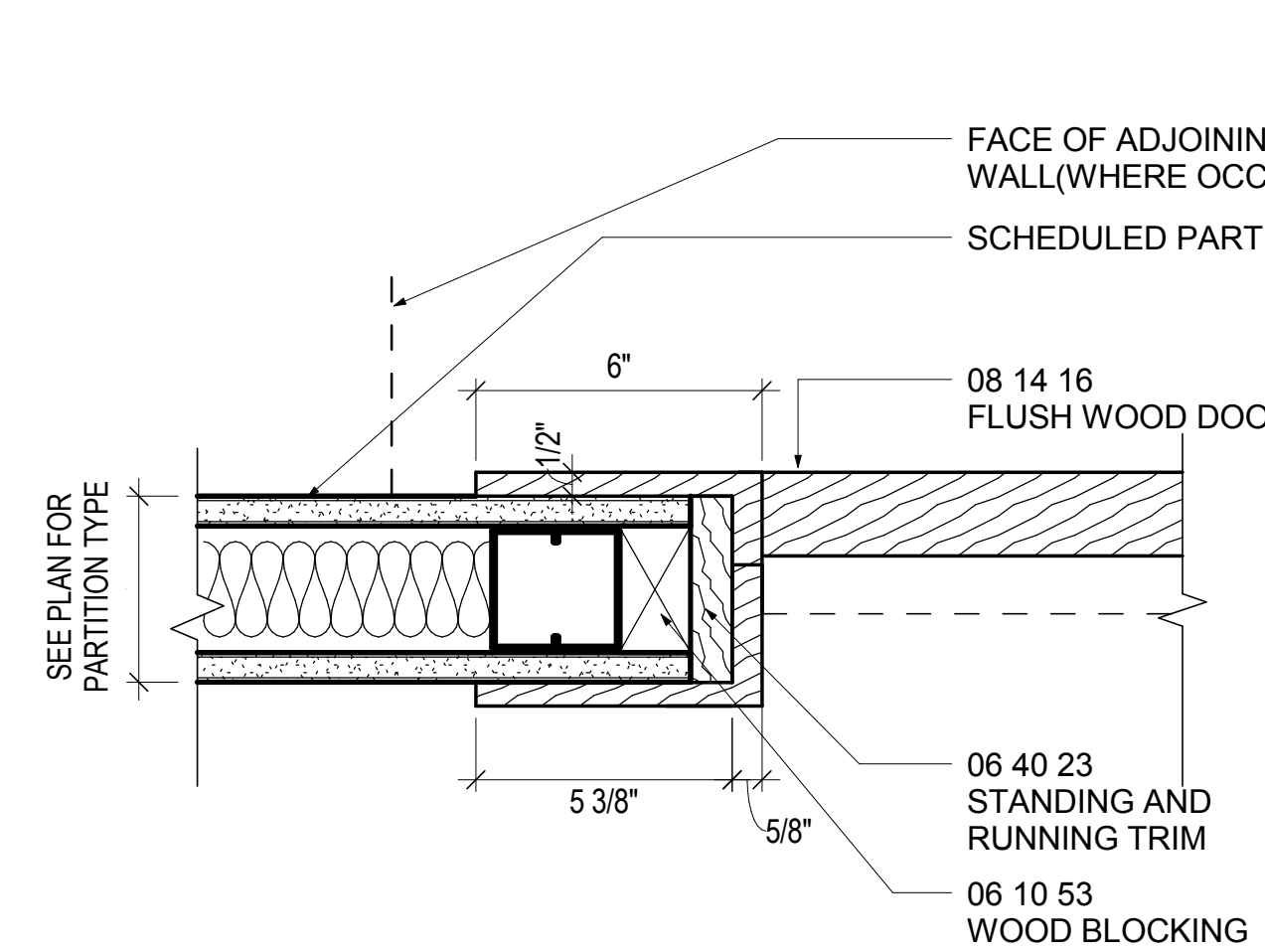
**02 ALUM STOREFRONT DOOR JAMB DETAIL**  
SCALE: 3" = 1'-0"



**09 H.M. SIDELIGHT - JAMB DETAIL**  
SCALE: 3" = 1'-0"



**06 WOOD DOOR FRAME - HEAD DETAIL**  
SCALE: 3" = 1'-0"



**03 WOOD DOOR FRAME - JAMB DETAIL**  
SCALE: 3" = 1'-0"

**HARDWARE SCHEDULE**

**SET 1: CONFERENCE ROOM**

(3) BUTT HINGES  
SS (US32D) HARDWARE VERTICAL PULLS (ROCKWOOD RM7350)  
OVERHEAD DOOR CLOSERS WITH 90 DEGREE HOLD OPEN  
FLOOR STOP

**SET 2: LAN ROOM**

(3) BUTT HINGES  
STOREROOM LEVER  
O.H. CLOSER - INTERIOR SIDE  
SILENCERS

**SET 3: WELLNESS**

(3) BUTT HINGES  
PRIVACY LOCKSET WITH OCCUPANCY INDICATOR  
FLOOR STOP  
SILENCERS

**SET 4: EXIST. EXIT STAIRS**

CARD READER - COORDINATE W/ SECURITY VENDOR  
ELECTRIC STRIKE  
REPLACE HARDWARE W/ ADA LEVER  
STOREROOM SET

**SET 5: SECURE ENTRY**

(3) BUTT HINGES  
MORTISE PASSAGE SET  
CARD READER  
ELECTRIC STRIKE  
O.H. CLOSER (INTERIOR SIDE)  
FLOOR STOP  
SILENCERS

**DOOR NOTES:**

1. ALL DOOR/SIDELITE FRAMES TO MATCH EXISTING PROFILE
2. ALL DOORS SHALL OPEN IN THE DIRECTION OF EGRESS AS REQUIRED BY CODE AND BE READILY OPERATED FROM THE EGRESS SIDE WITHOUT THE USE OF KEY OR SPECIAL KNOWLEDGE OR EFFORT.
3. ALL DOORS SHALL COMPLY WITH THE CLEARANCES FOR APPROACHES AS INDICATED BY ADA2010
4. ALL ACCESS CONTROLLED EGRESS DOORS SHALL COMPLY WITH THE REQUIREMENTS OF SECTION 1008.1.4.4 OF IBC 2009
5. LOCKSETS & LATCHSETS SHALL BE SCHLAGE "L" SERIES - LEVER DESIGN 03625, POLISHED STAINLESS STEEL.



2 CITY CENTER, PORTLAND, ME 04101



214 North Tryon Street  
Suite 2320  
Charlotte, NC 28202  
United States

Tel 704.377.2725  
Fax 704.377.2807

URS CORPORATION  
MEP ENGINEERS  
2777 FRANKLIN ROAD  
SUITE 2000  
SOUTHFIELD, MI 48034  
Tel 248.204.5900  
Fax 248.204.5901

MONAGHAN WOODWORKS  
100 COMMERCIAL STREET  
SUITE 212  
PORTLAND, ME 04101  
Tel 207.775.2683  
Fax 207.772.6726

Date	Description
08/08/14	ISSUED FOR CONSTRUCTION

Seal / Signature

Project Name  
URS - PORTLAND

Project Number  
59 6222 900

Scale  
As indicated

Description  
DOOR TYPES, HARDWARE, & DETAILS

**G00.31**

© 2014 Gensler

