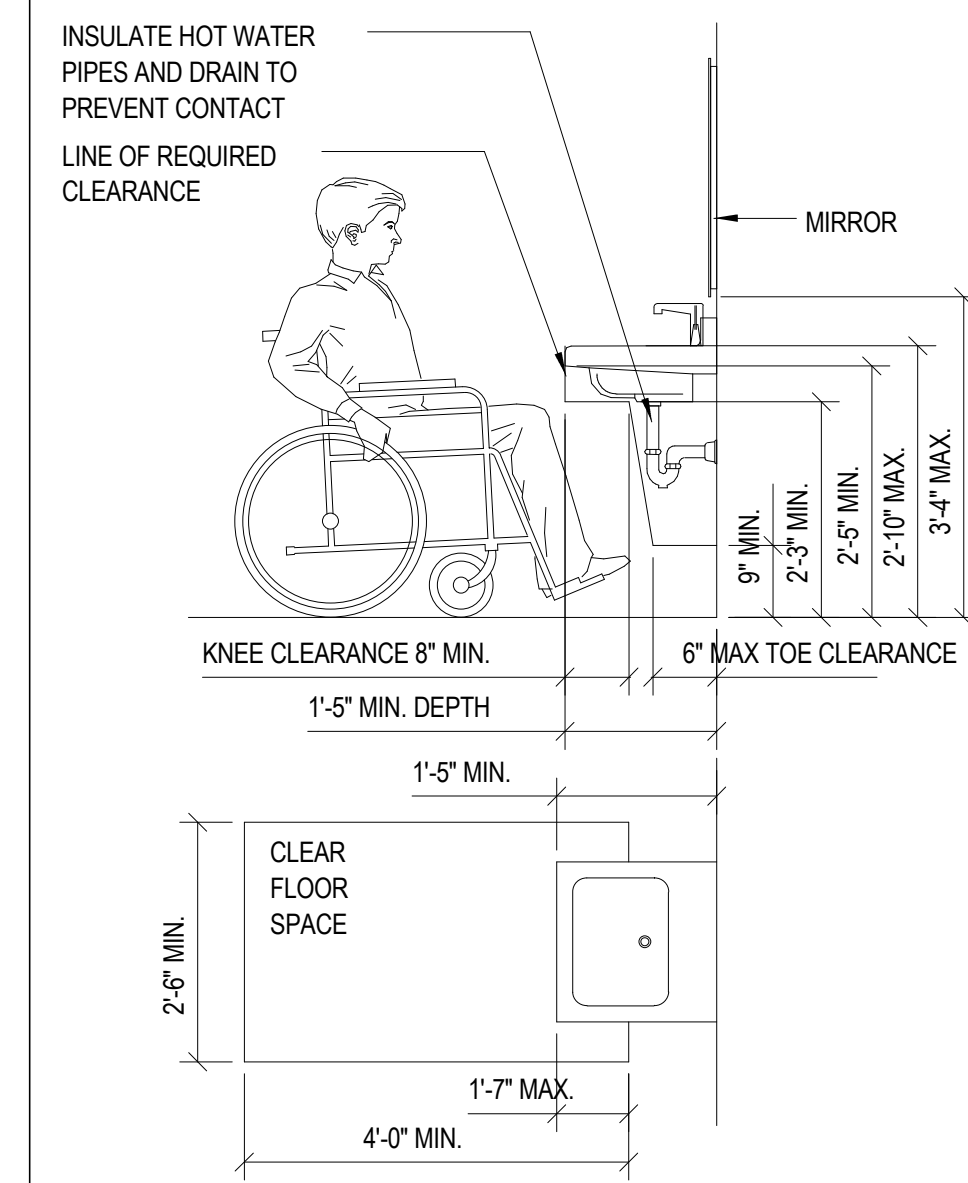
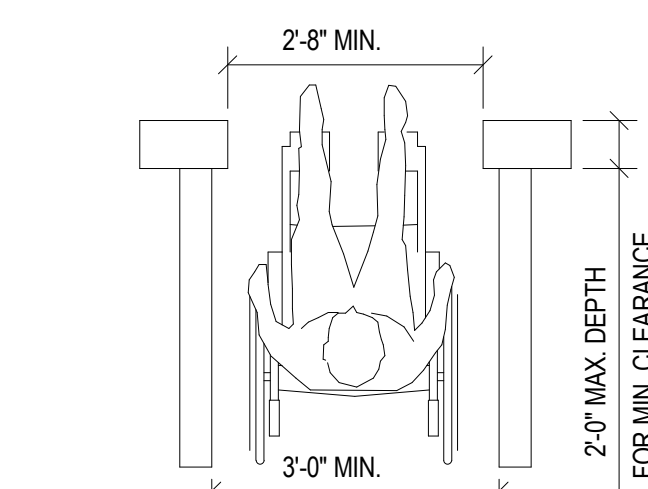
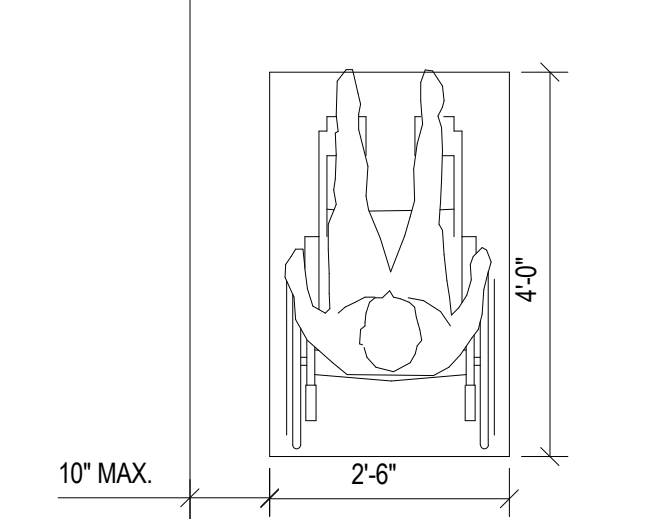
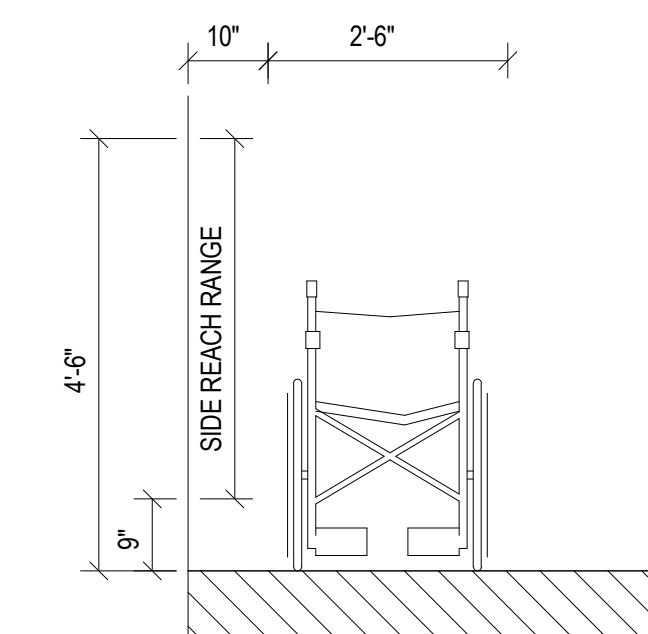
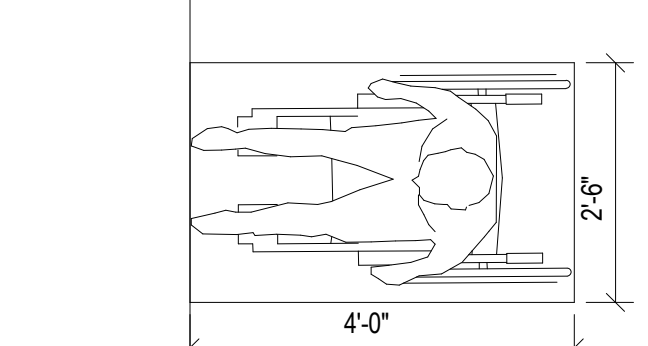
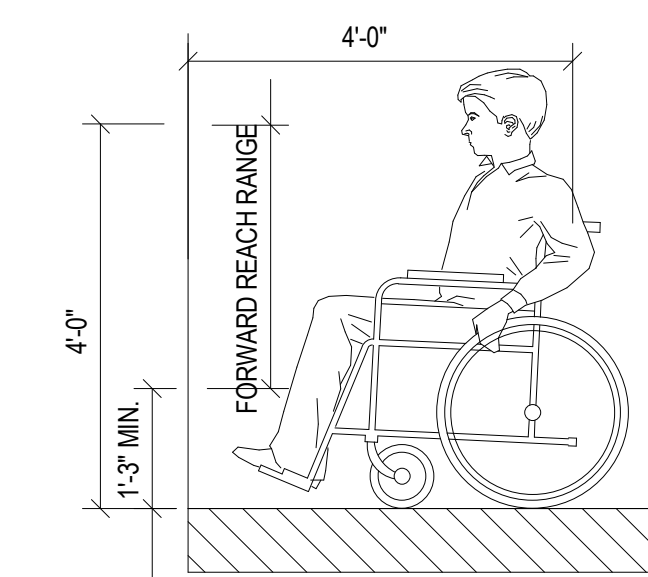


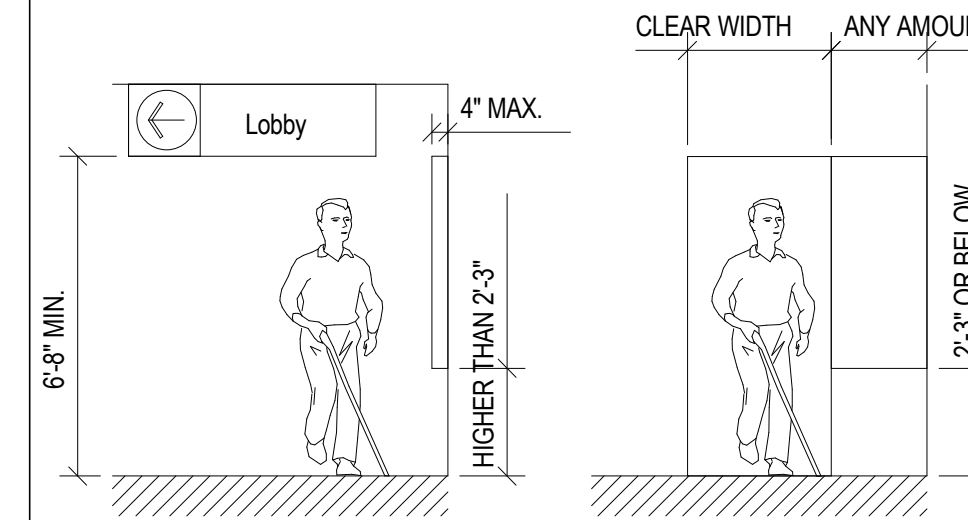
Date	Description
08/08/14	ISSUED FOR CONSTRUCTION



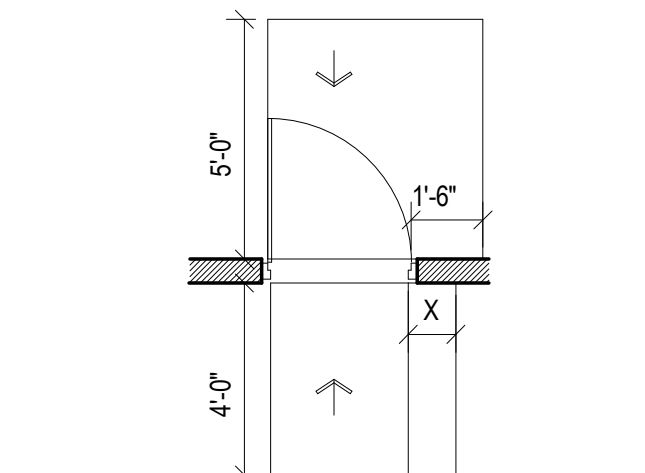
5 SINK OR VANITY
SCALE: 1/2" = 1'-0"



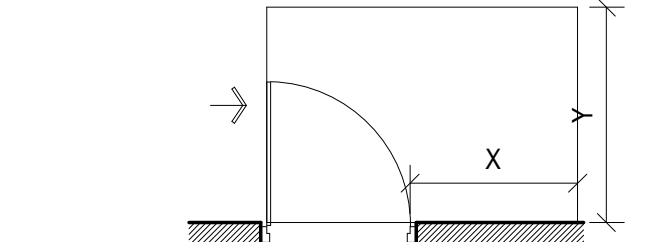
3 REACH RANGES
SCALE: 1/2" = 1'-0"



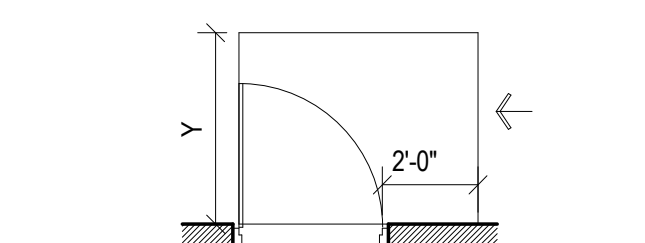
4 PROTRUDING OBJECTS
SCALE: 1/4" = 1'-0"



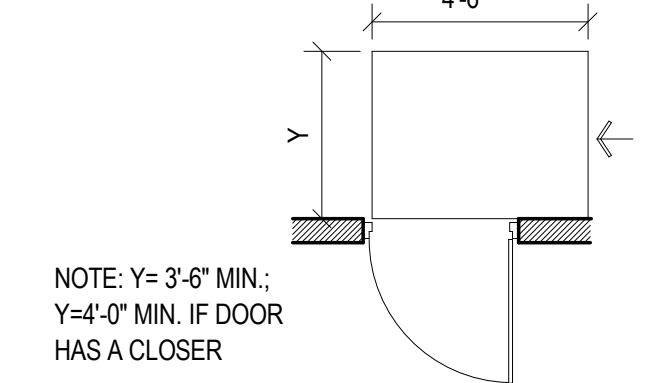
NOTE: X = 1'-0" IF DOOR HAS BOTH A CLOSER AND A LATCH



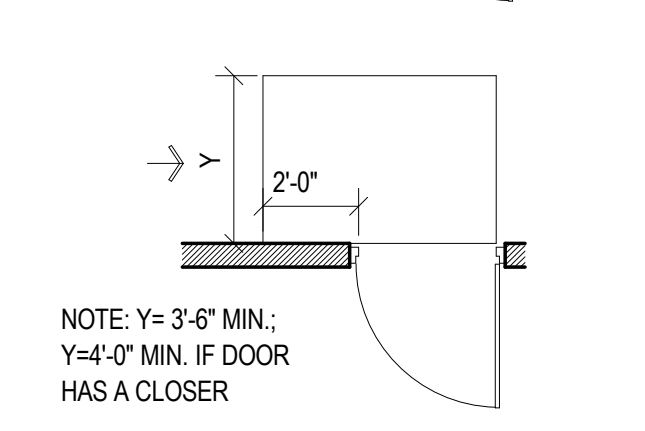
NOTE: X = 3'-0" MIN. IF Y = 5'-0"; X = 3'-6" MIN. IF Y = 4'-6".



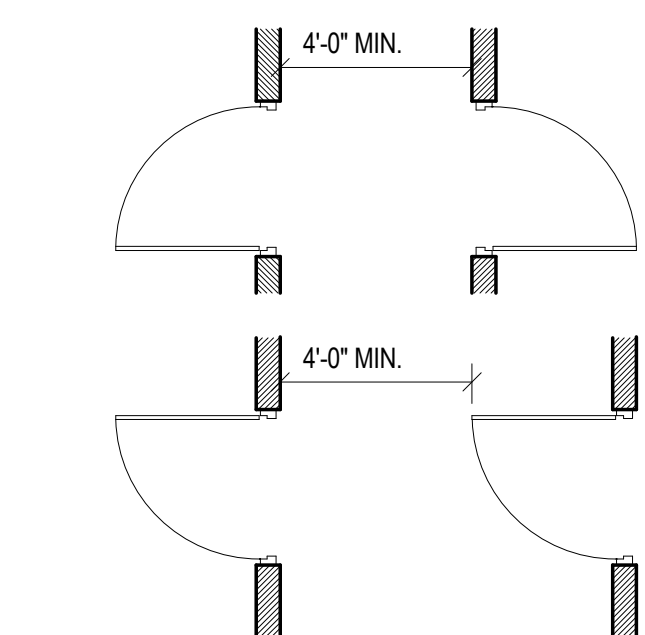
NOTE: Y = 4'-0" MIN.; Y = 4'-6" MIN. IF DOOR HAS A CLOSER



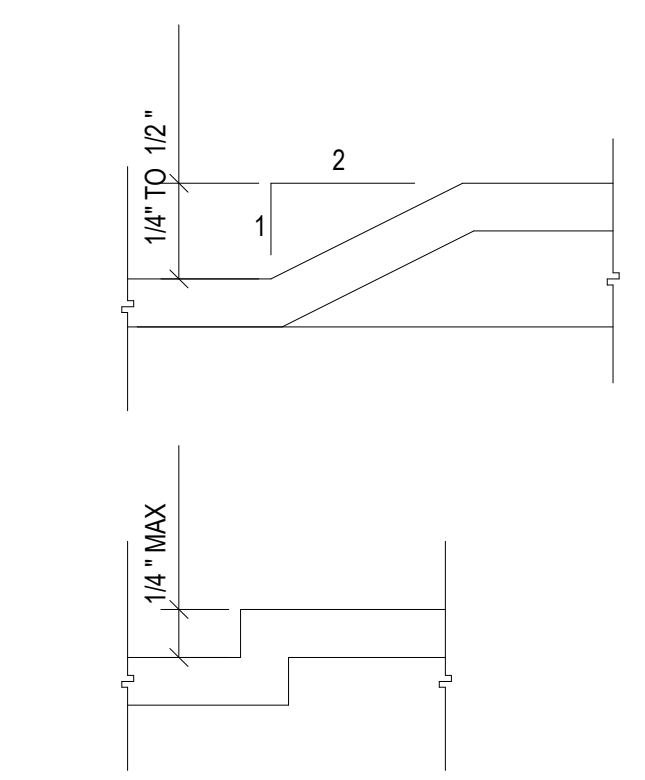
NOTE: Y = 3'-6" MIN.; Y = 4'-0" MIN. IF DOOR HAS A CLOSER



NOTE: Y = 3'-6" MIN.; Y = 4'-0" MIN. IF DOOR HAS A CLOSER



1 CLEARANCES
SCALE: 1/2" = 1'-0"



2 THRESHOLD
SCALE: FULL

Seal / Signature

Project Name
URS - PORTLAND

Project Number
59 6222.900

Scale

Description
ADA STANDARDS

G00.04