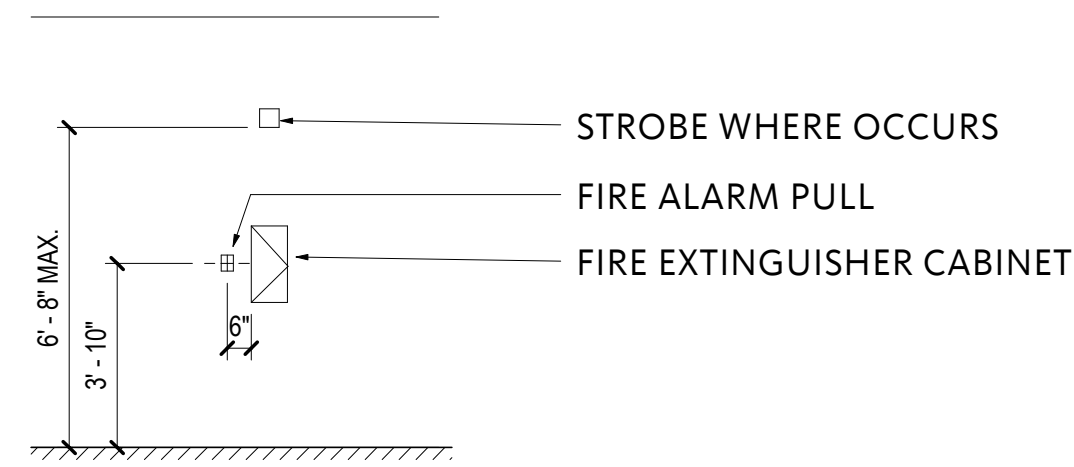
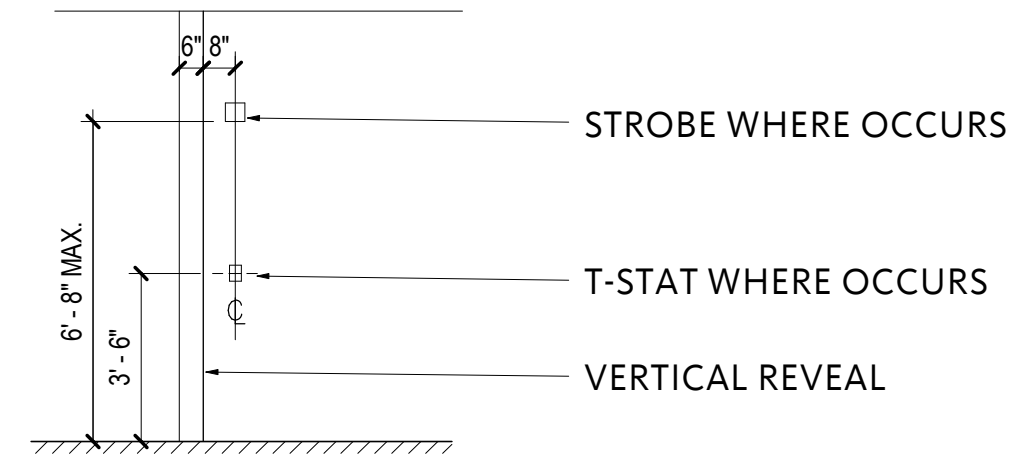


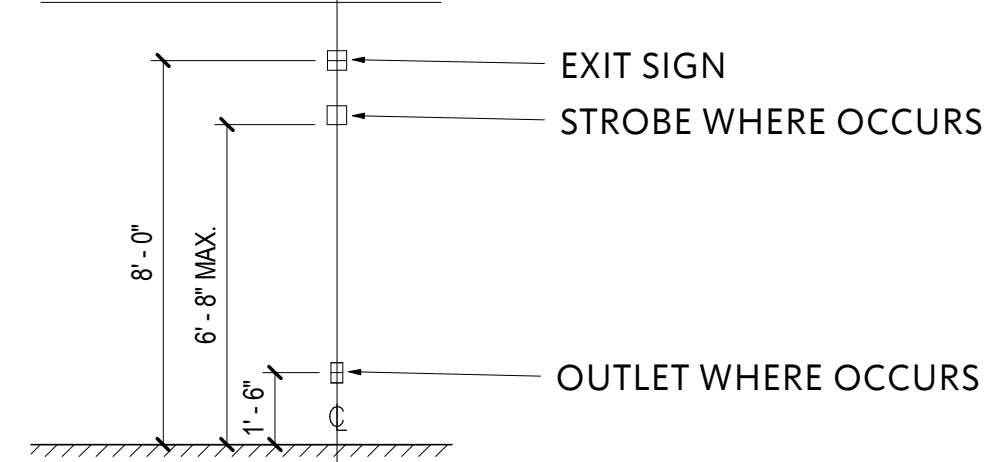
**19 LOCATIONS at FREIGHT ELEVATORS STROBES**



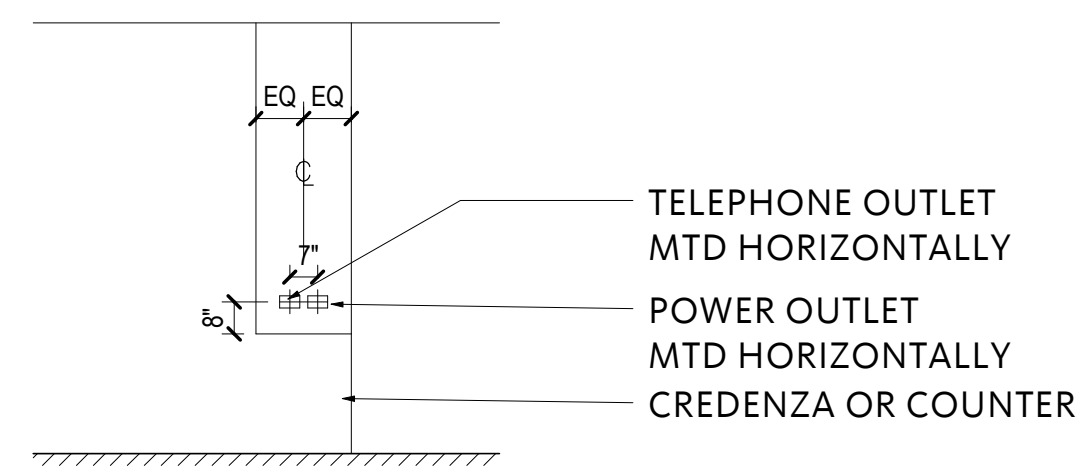
**20 LOCATIONS at FIRE EXTINGUISHER CABINET STROBES and FIRE ALARM PULLS**



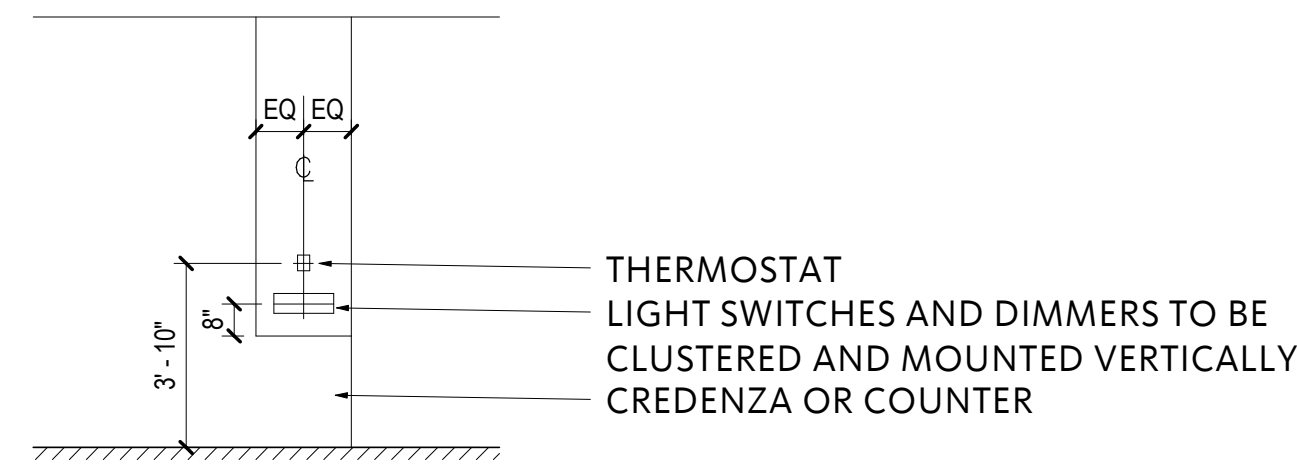
**21 LOCATIONS at CORNERS with REVEALS STROBES and THERMOSTATS**



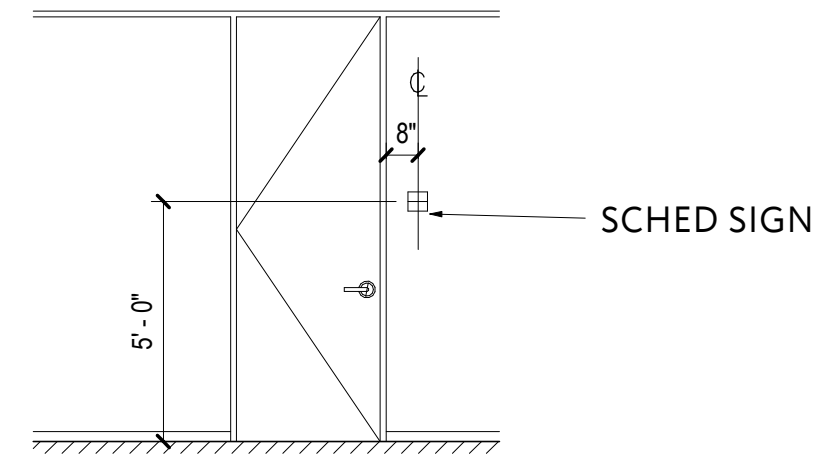
**22 LOCATION FOR EXIT SIGNS (WALL MOUNTED)**



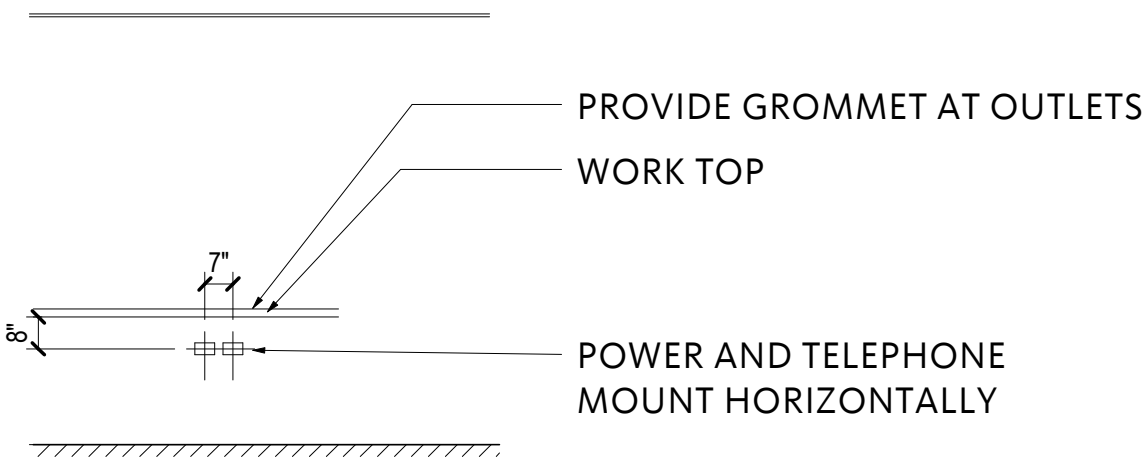
**13 LOCATIONS at CREDENZAS or COUNTERS OUTLETS**



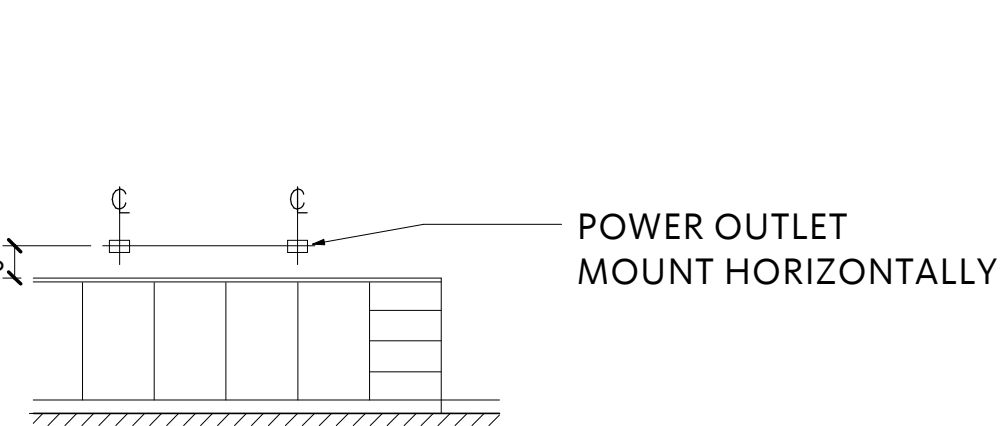
**14 LOCATIONS at CREDENZAS or COUNTERS SWITCHES and THERMOSTATS**



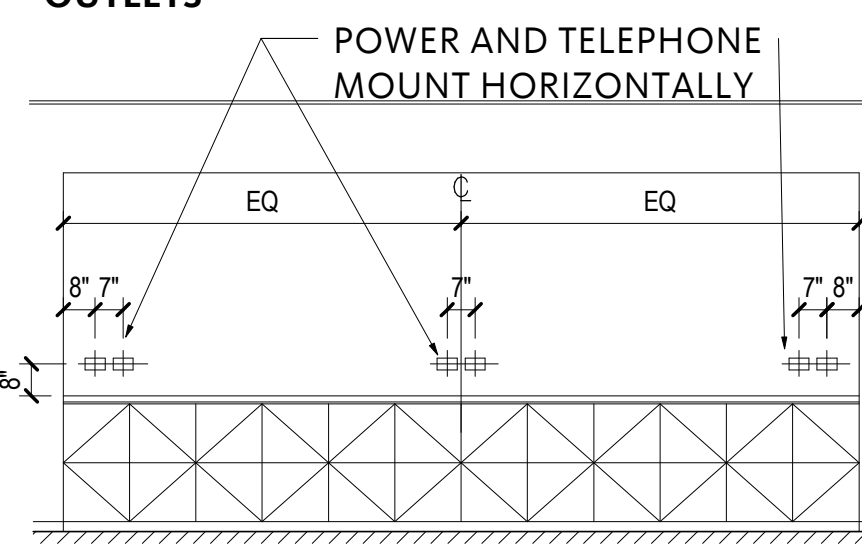
**15 LOCATION FOR TYPICAL SIGNS**



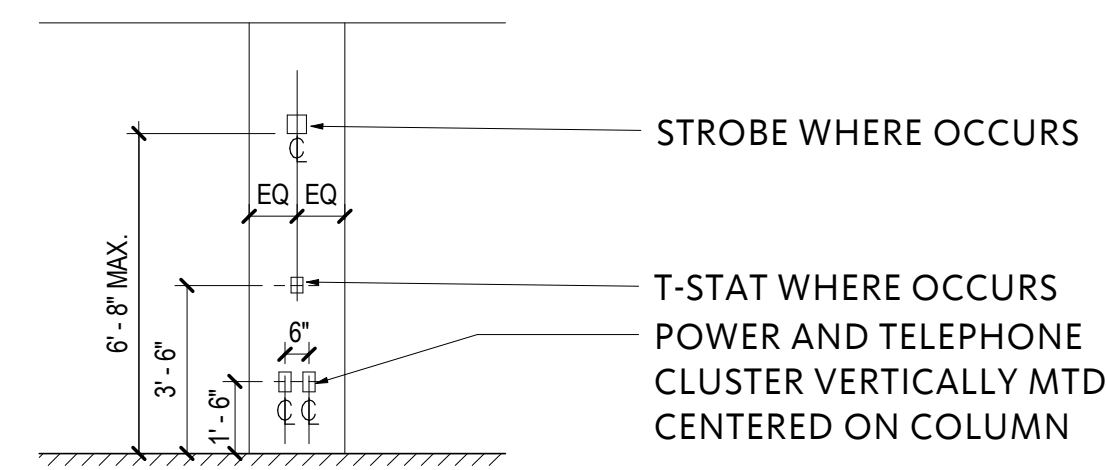
**16 LOCATIONS at WORK SURFACES OUTLETS**



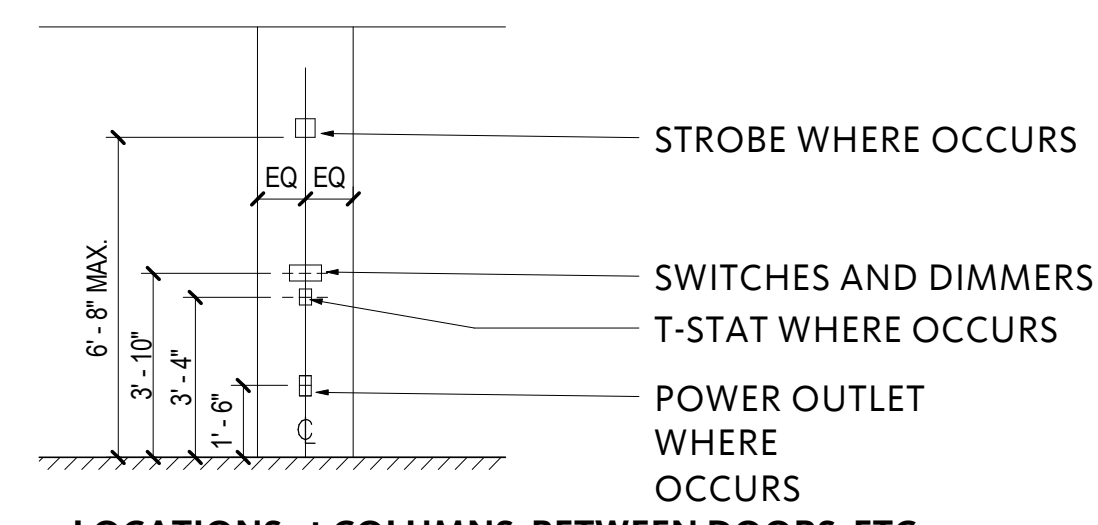
**17 LOCATIONS at MILLWORK COUNTERS OUTLETS**



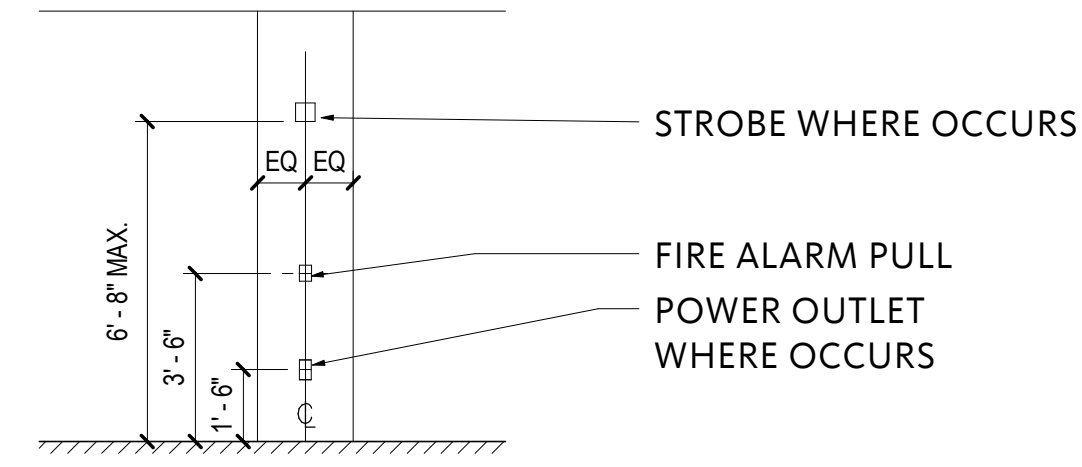
**18 LOCATIONS at MILLWORK COUNTERS OUTLETS**



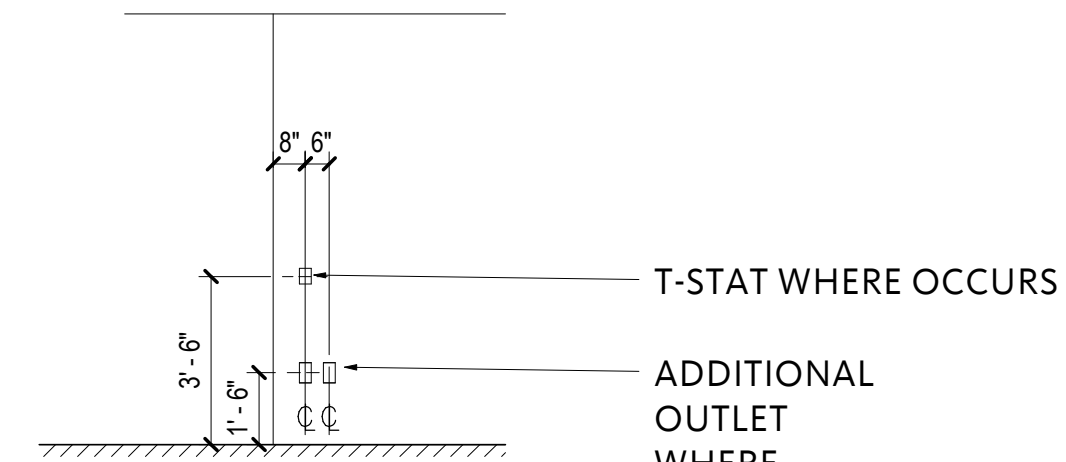
**7 LOCATIONS at COLUMNS, BETWEEN DOORS, ETC. OUTLET GROUPS, STROBES and THERMOSTATS**



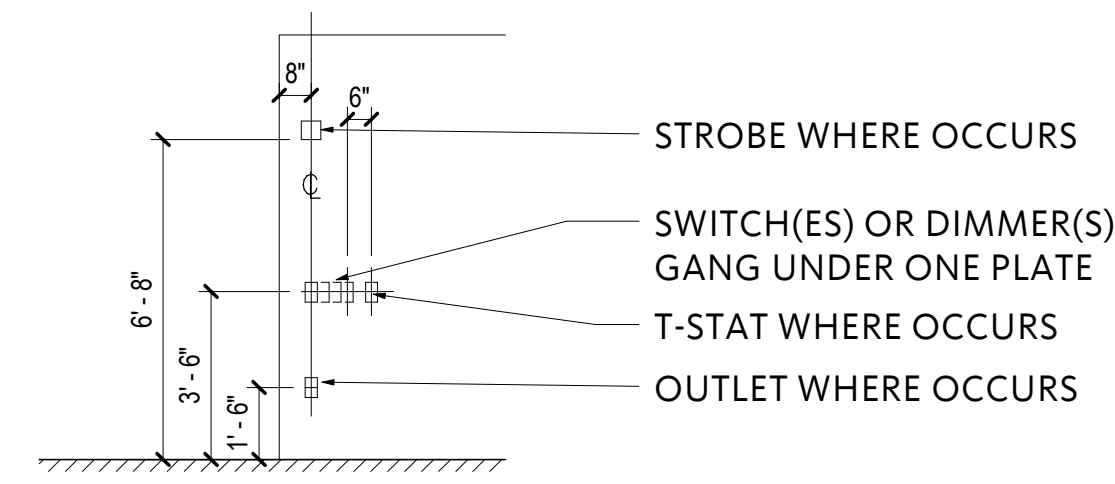
**8 LOCATIONS at COLUMNS, BETWEEN DOORS, ETC. SWITCHES, STROBES and THERMOSTATS**



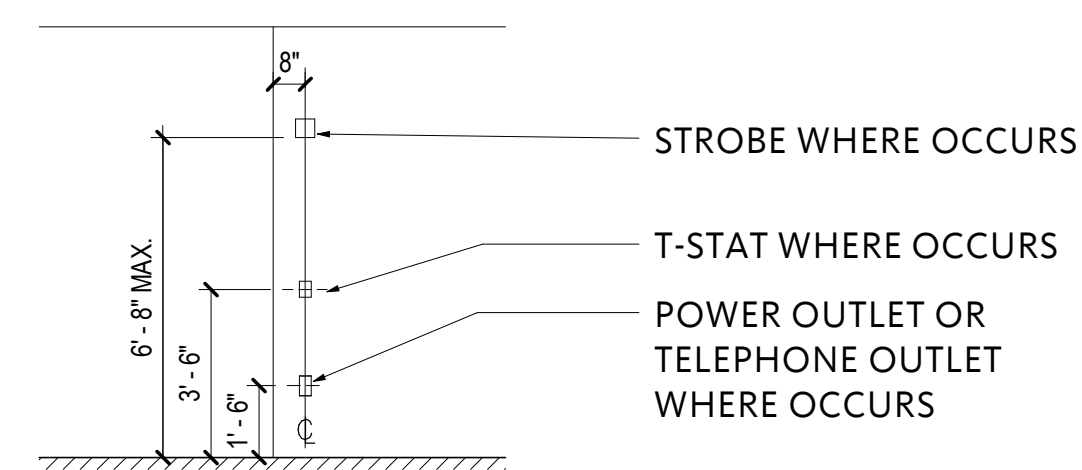
**9 LOCATIONS at COLUMNS, BETWEEN DOORS, ETC. OUTLETS, STROBES and FIRE ALARM PULLS**



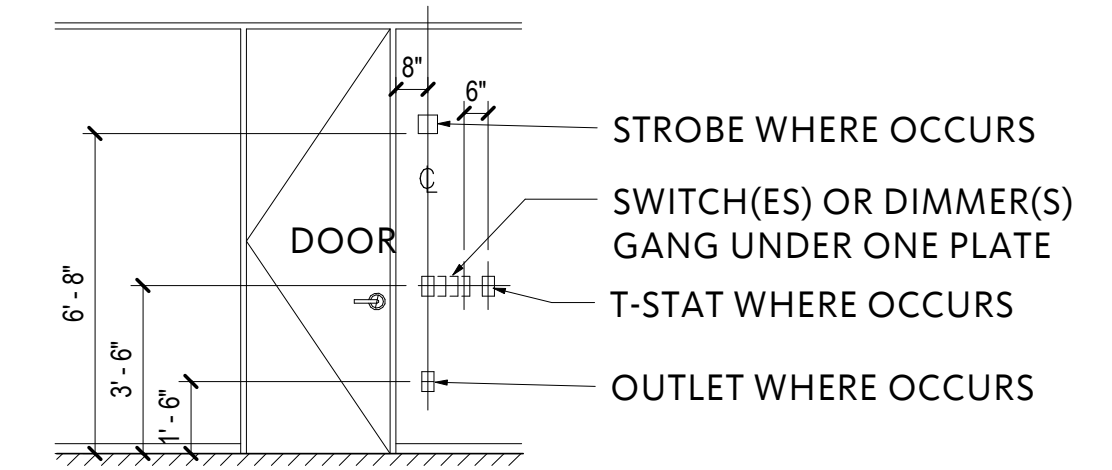
**10 LOCATIONS at CORNERS OUTLETS**



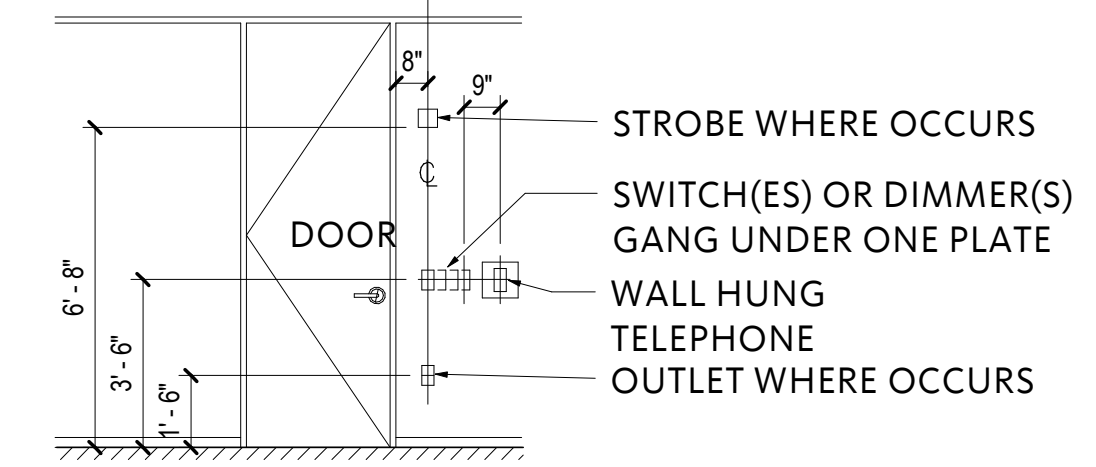
**11 LOCATIONS at CORNERS SWITCHES, OUTLETS, STROBES and THERMOSTATS**



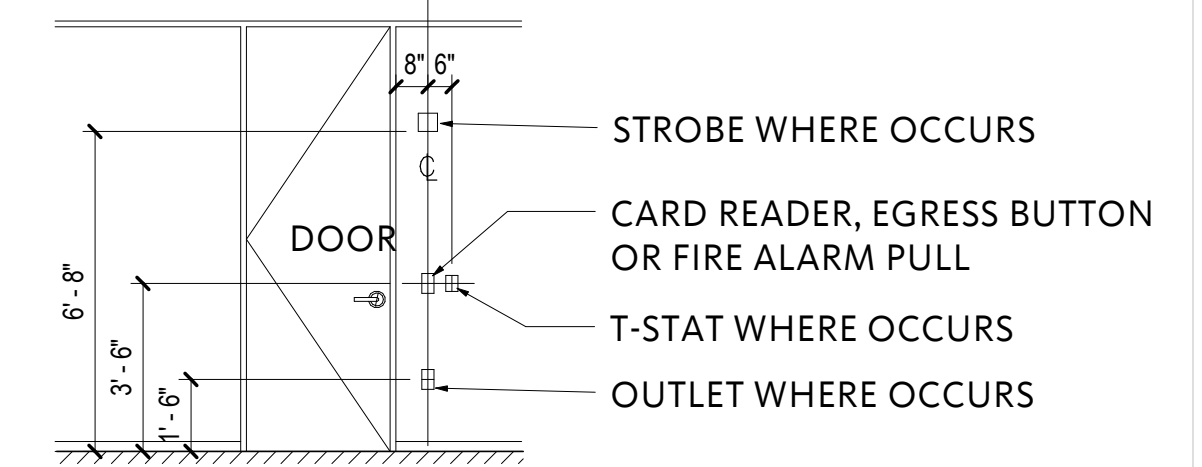
**12 LOCATIONS at CORNERS OUTLETS, STROBES and THERMOSTATS**



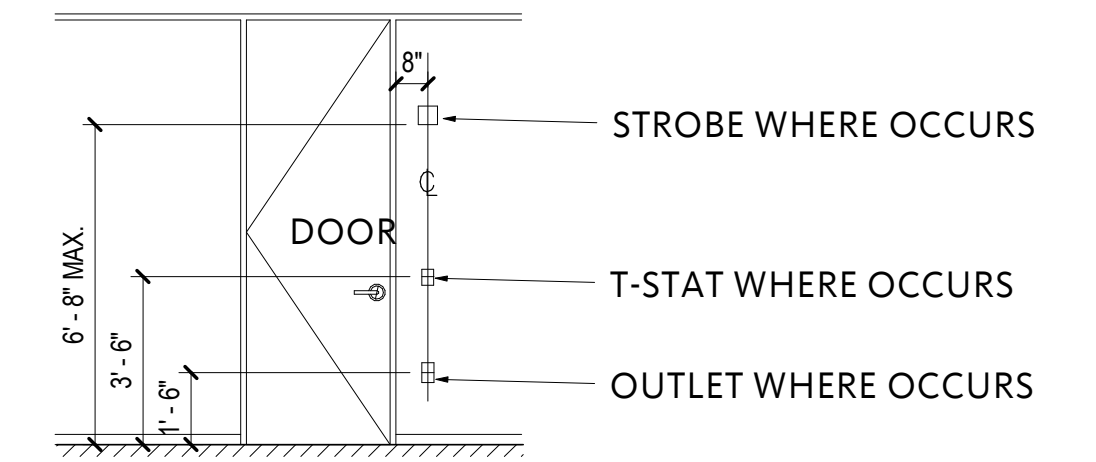
**1 LOCATIONS at DOOR JAMBS SWITCH and THERMOSTAT**



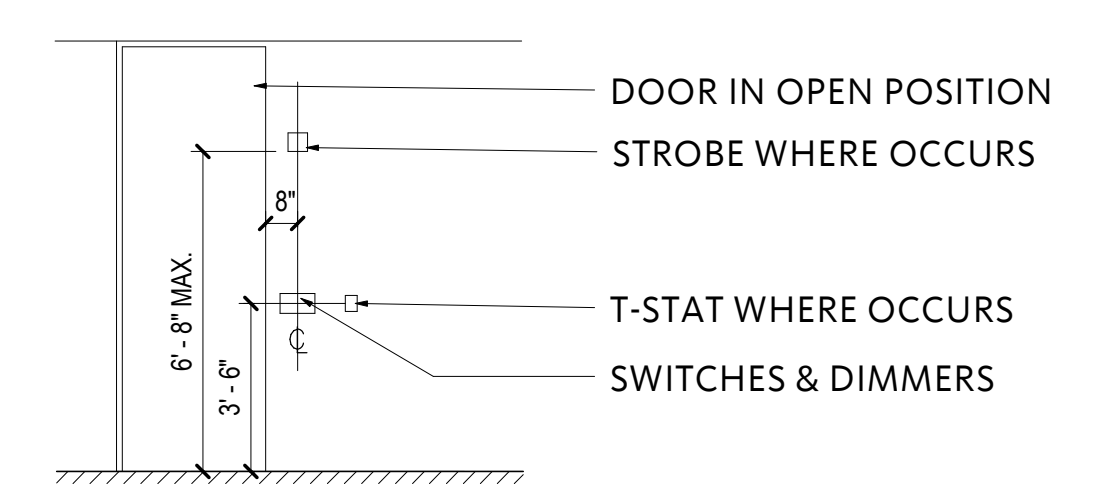
**2 LOCATIONS at DOOR JAMBS SWITCH and TELEPHONE**



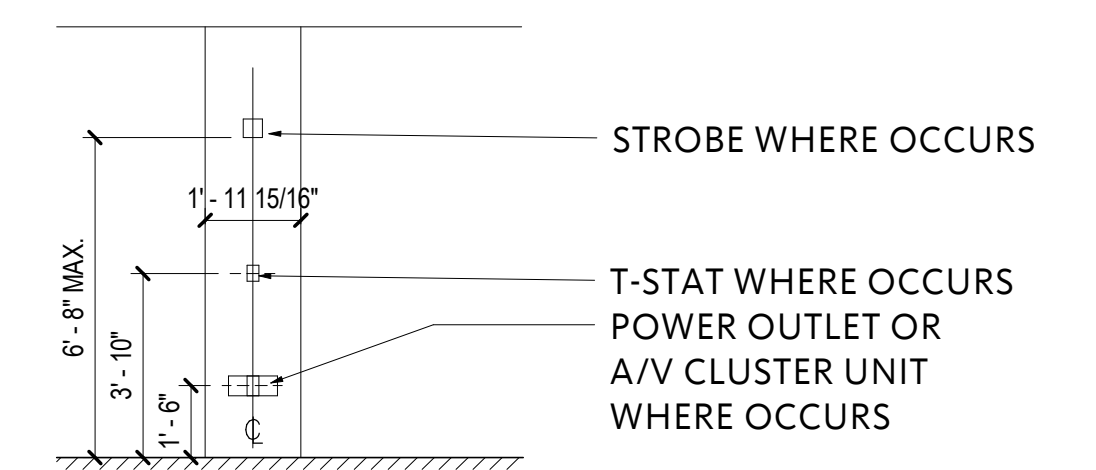
**3 LOCATIONS at DOOR JAMBS CARD READER, EGRESS BUTTON or FIRE ALARM PULL**



**4 LOCATIONS at DOOR JAMBS THERMOSTAT, STROBE or OUTLET**



**5 LOCATIONS at OPEN DOORS SWITCHES, STROBES and THERMOSTATS**



**6 LOCATIONS at COLUMNS, BETWEEN DOORS, ETC. OUTLETS, STROBES and THERMOSTATS**

**01 MOUNTING LOCATIONS - GENERAL**  
SCALE: 1/4" = 1'-0"

Date	Description
08/08/14	ISSUED FOR CONSTRUCTION

Seal / Signature

Project Name  
URS - PORTLAND

Project Number  
59 6222.900

Scale  
1/4" = 1'-0"

Description  
MOUNTING LOCATIONS

**G00.03**