

HARRIMAN

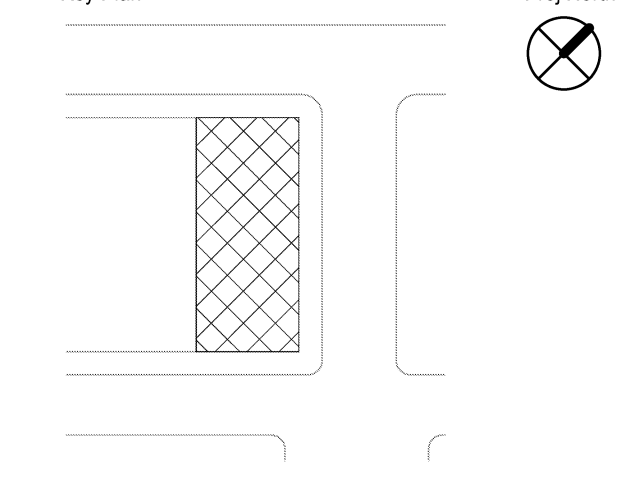
AUBURN PORTLAND MANCHESTER

GOULD RESTAURANT

414 FORE STREET
PORTLAND, ME 04101

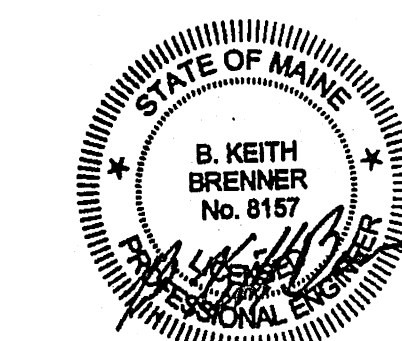
Harriman Project No. 12752

Key Plan Proj North



Issues and Revisions

Mark	Date	Description
-	05-31-13	ISSUED FOR CONSTRUCTION



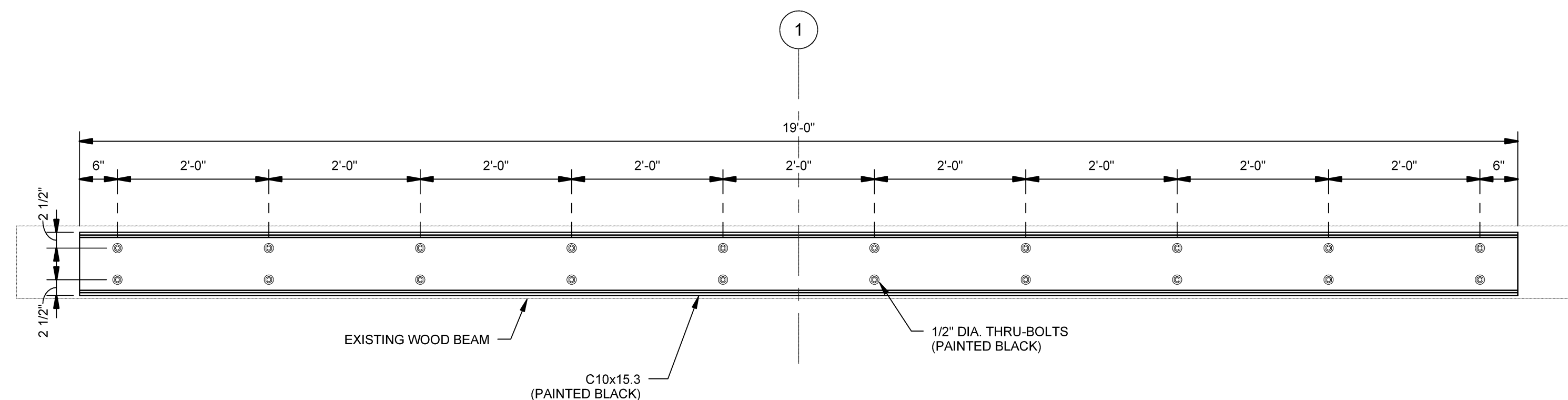
Drawing Scales	0 6" 1' 2'
As indicated	3/4" = 1'-0"

0 4" 8" 1'	1 1/2" = 1'-0"
------------	----------------

PA / PE: BKB	© 2013
Drawn By: MRM	Harriman Associates

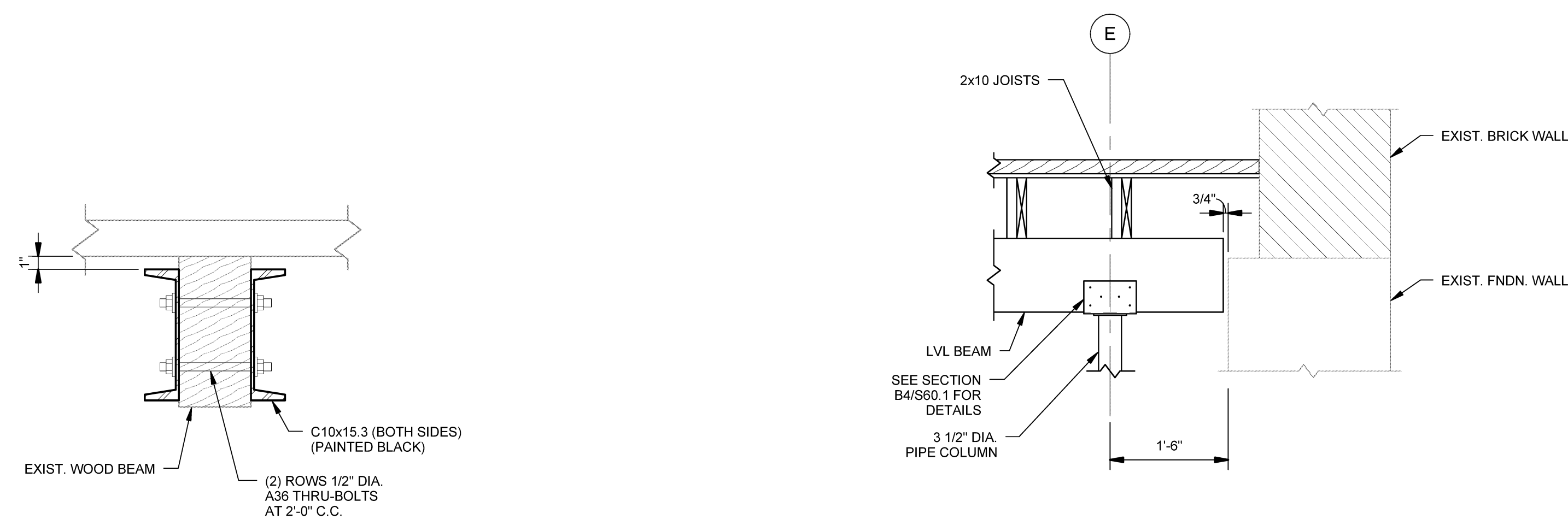
STRUCTURAL DETAILS

S60.1



C1 SECTION AT BEAM REINFORCING

SCALE: 3/4" = 1'-0"

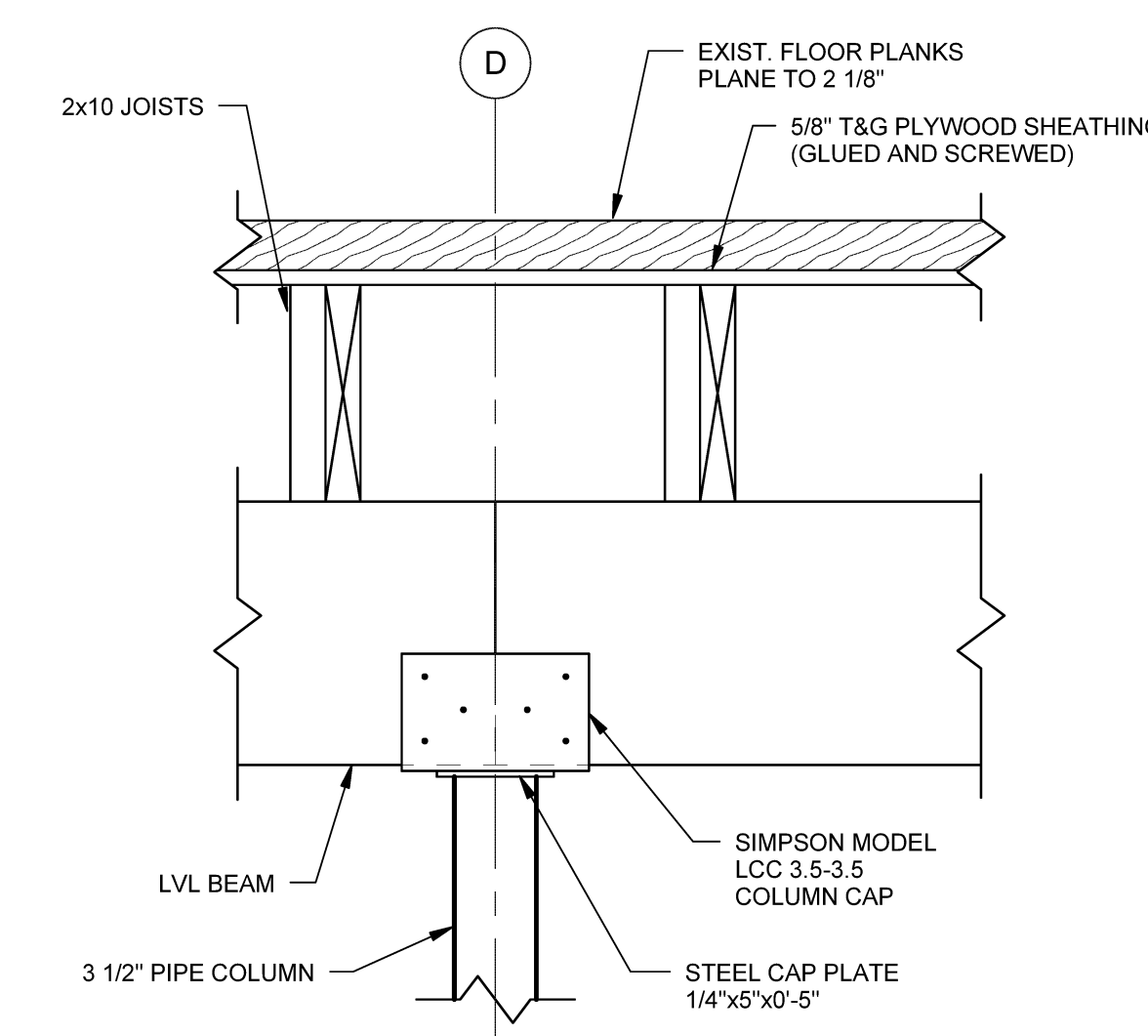


B1 SECTION AT BEAM REINFORCING

SCALE: 1 1/2" = 1'-0"

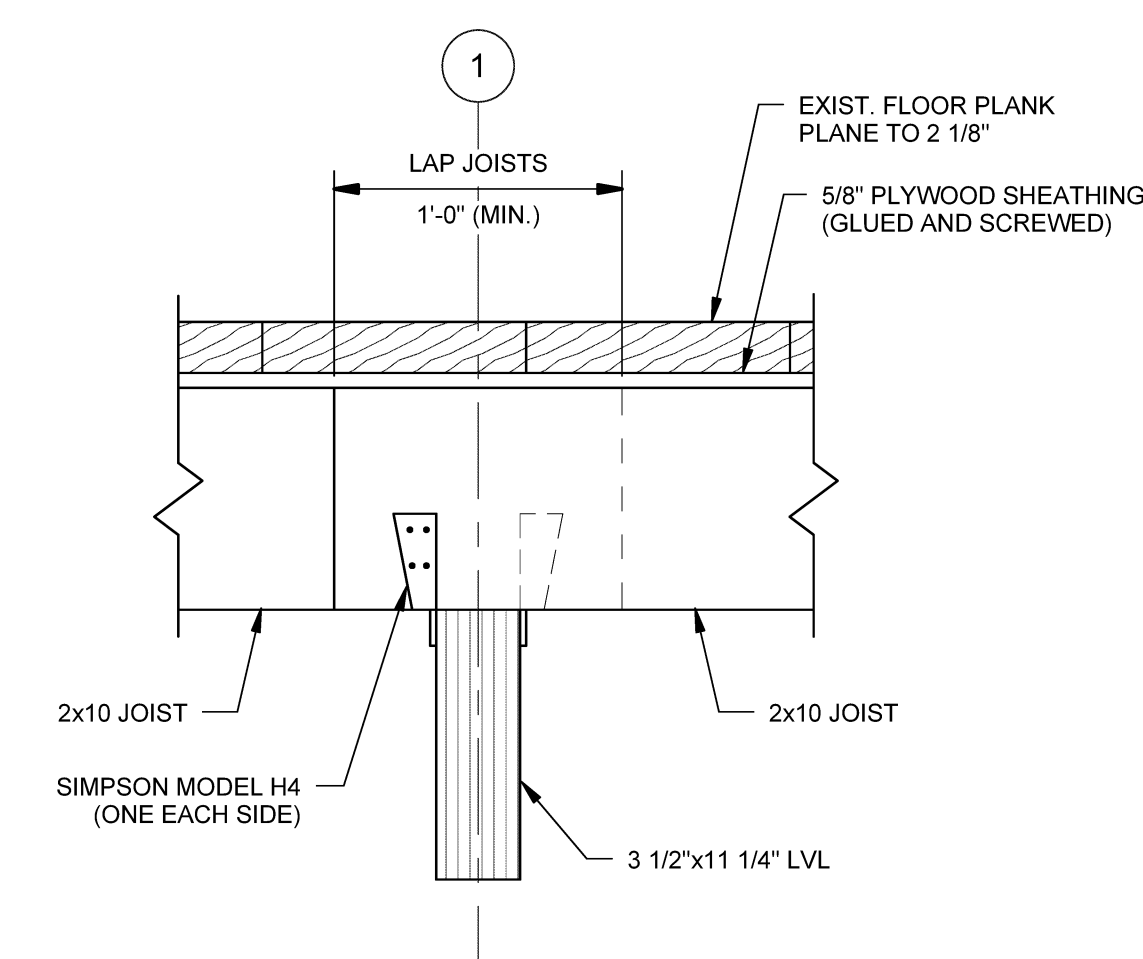
B2 SECTION AT CANTILEVER BEAM

SCALE: 3/4" = 1'-0"



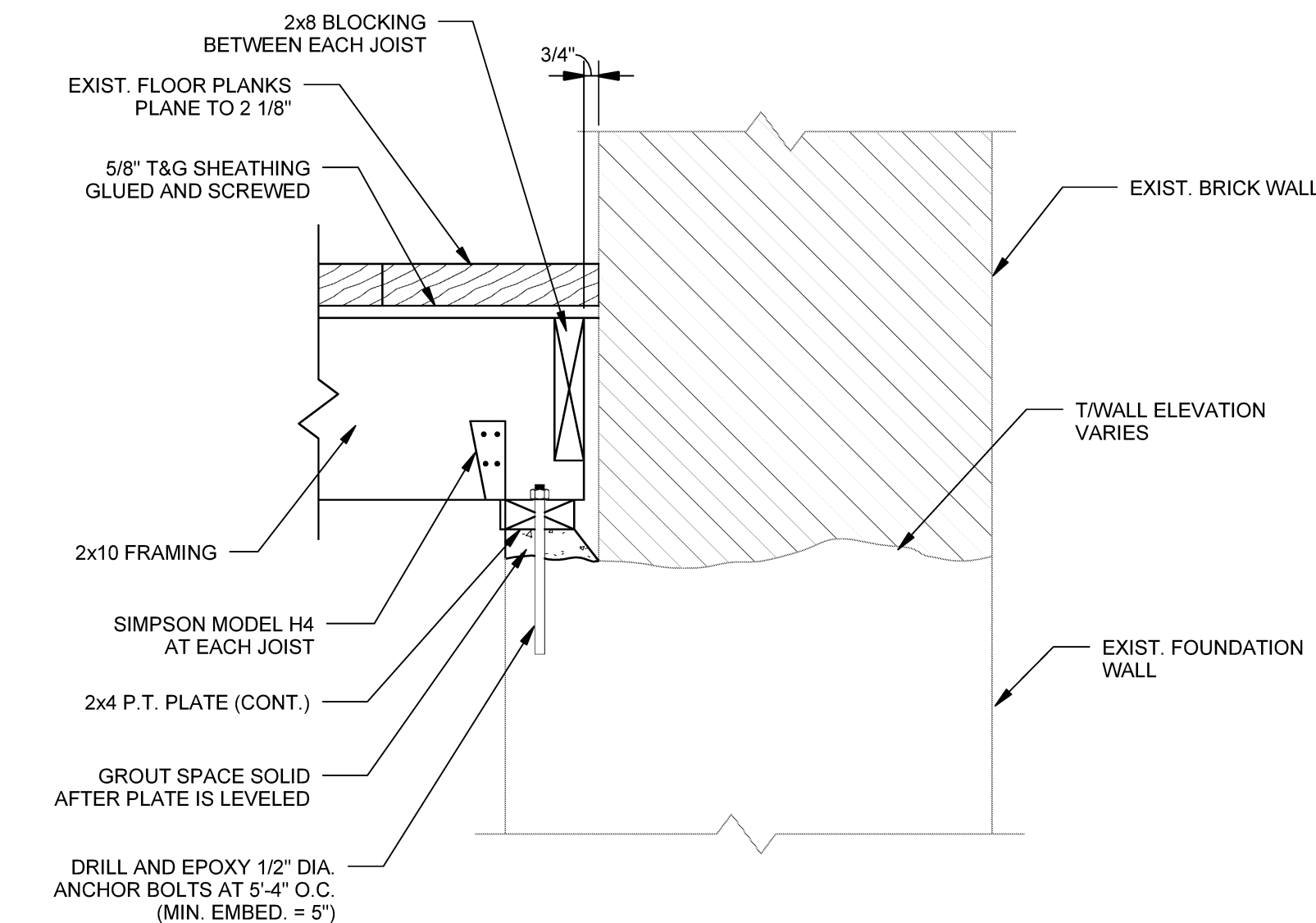
B4 SECTION AT INTERIOR COLUMN

SCALE: 1 1/2" = 1'-0"



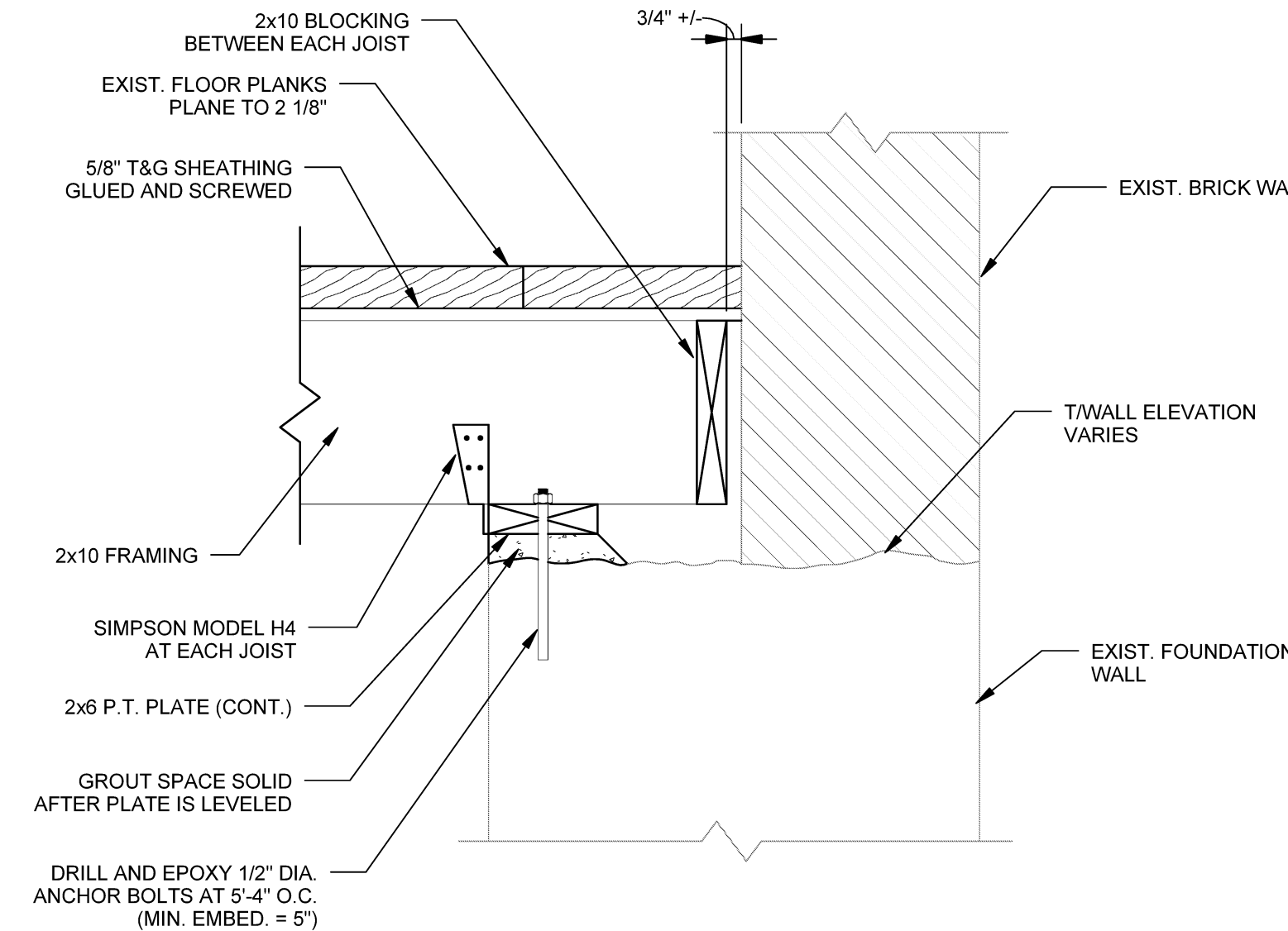
A1 SECTION AT JOIST BEARING

SCALE: 1 1/2" = 1'-0"



A2 SECTION

SCALE: 1 1/2" = 1'-0"



A4 SECTION

SCALE: 1 1/2" = 1'-0"