



HARRIMAN

AUBURN PORTLAND MANCHESTER

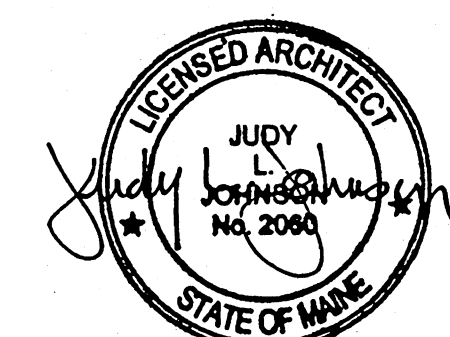
GOULD RESTAURANT

414 FORE STREET
PORTLAND, ME 04101

Harriman Project No. 12752

Key Plan Proj North

Issues and Revisions		
Mark	Date	Description
05-21-13		75% REVIEW
05-31-13		ISSUED FOR CONSTRUCTION

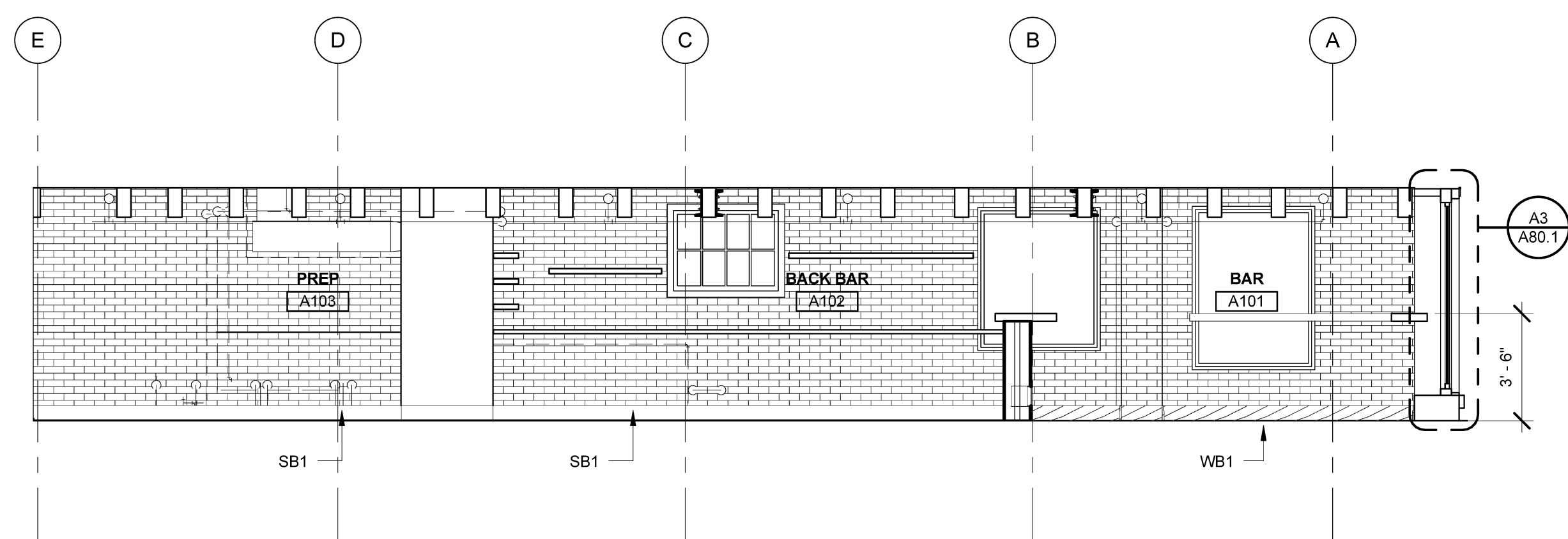


Drawing Scales	0 2' 4' 6'
As indicated	1/4" = 1'-0"
0 4" 8" 1'	
1 1/2" = 1'-0"	

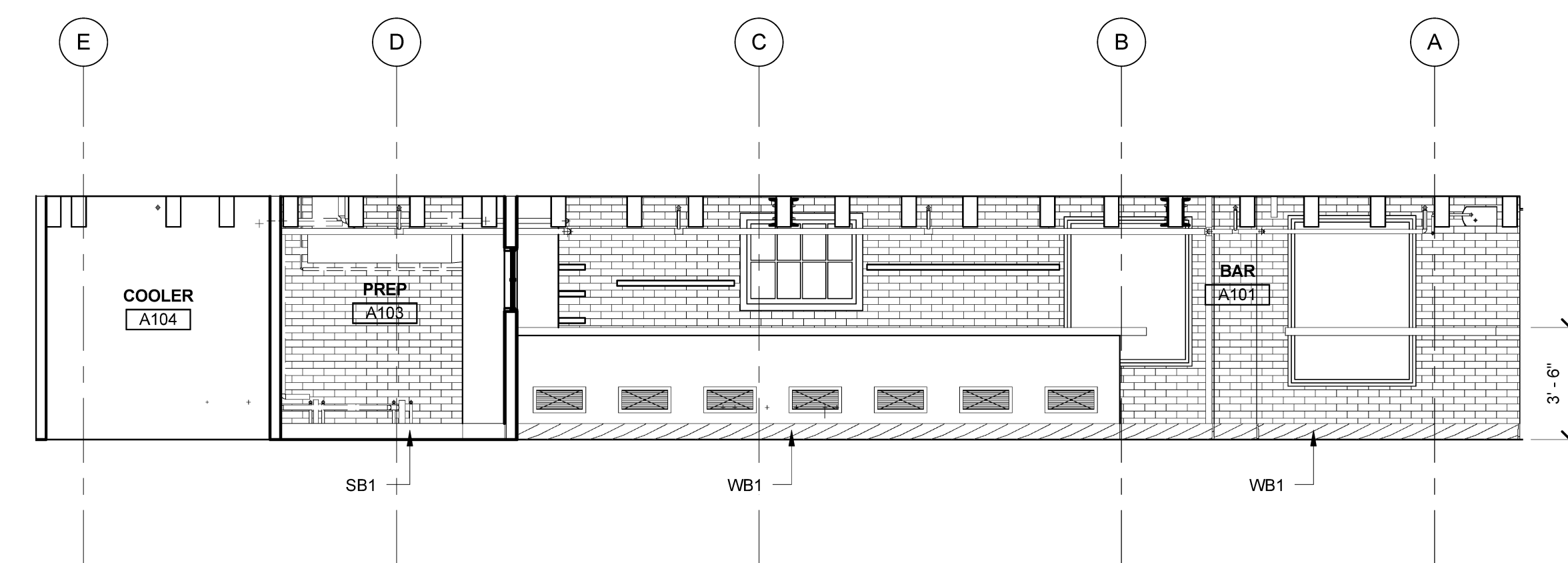
PA / PE: RBB © 2013
Drawn By: CMP Harriman Associates

INTERIOR ELEVATIONS

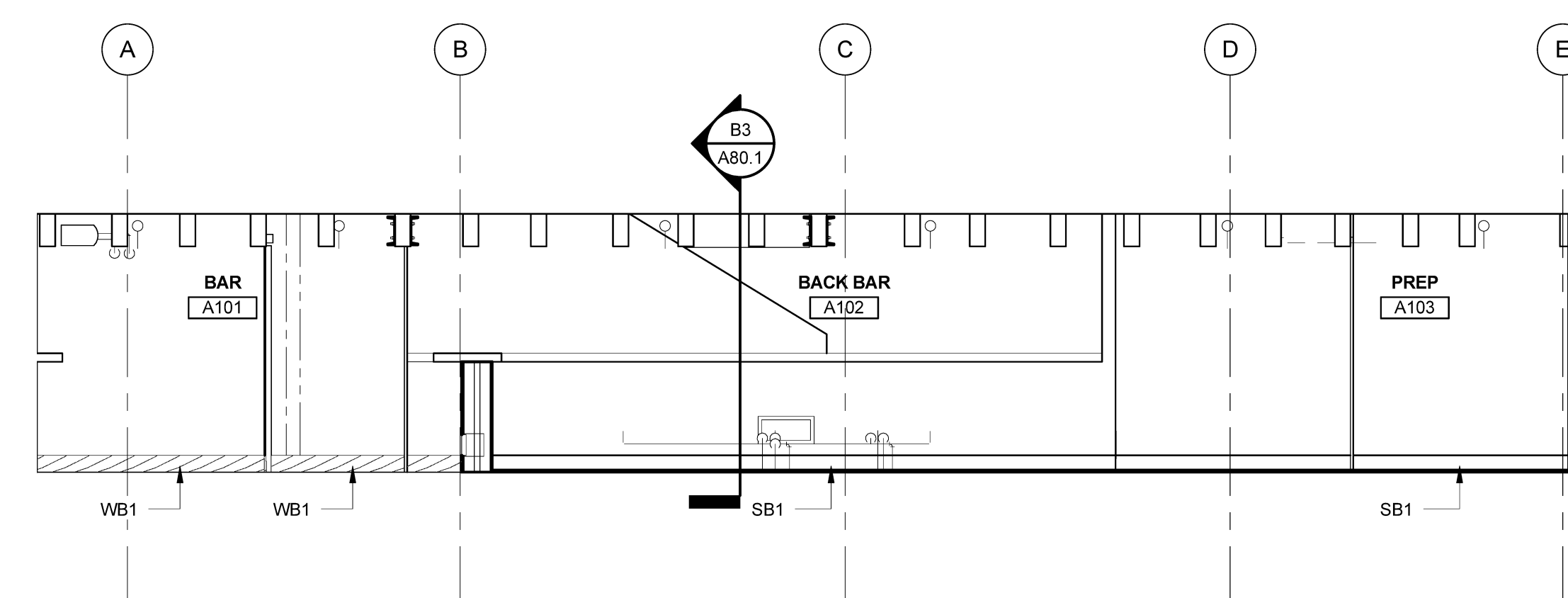
A81.1



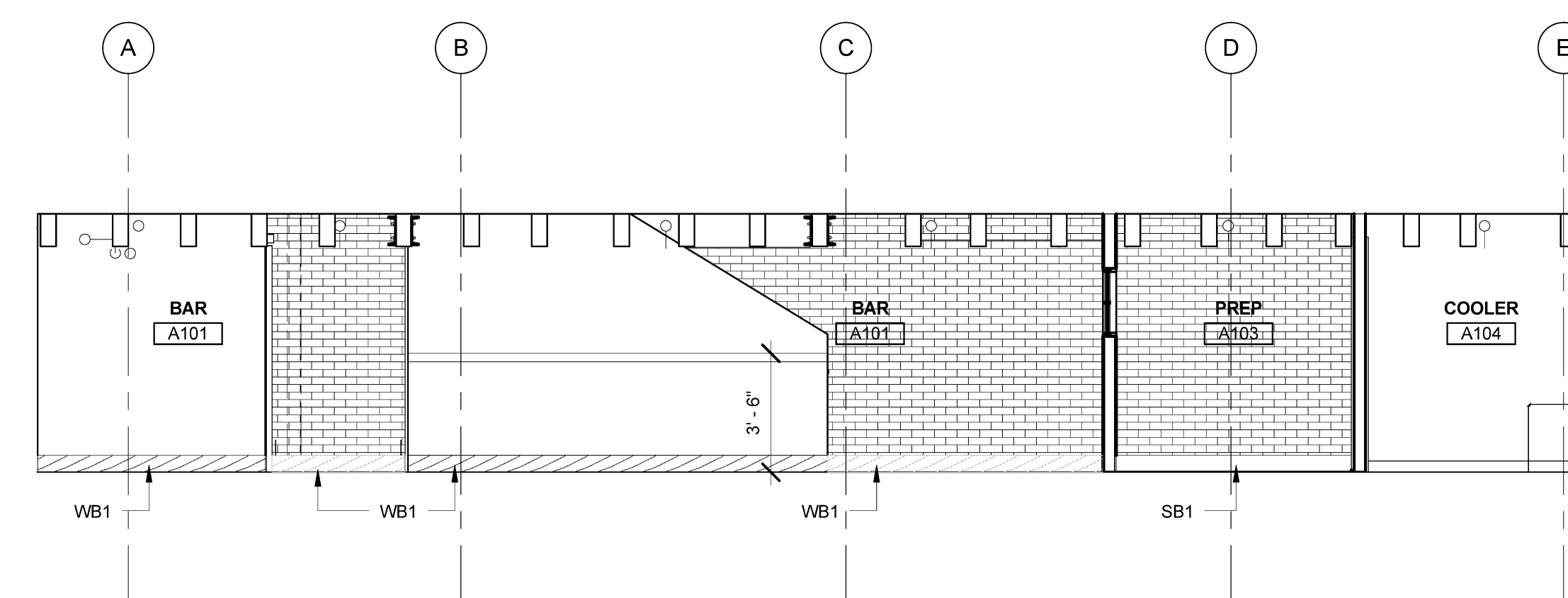
D1 ROOM A101, A102, A103 NORTH ELEVATION
SCALE: 1/4" = 1'-0"



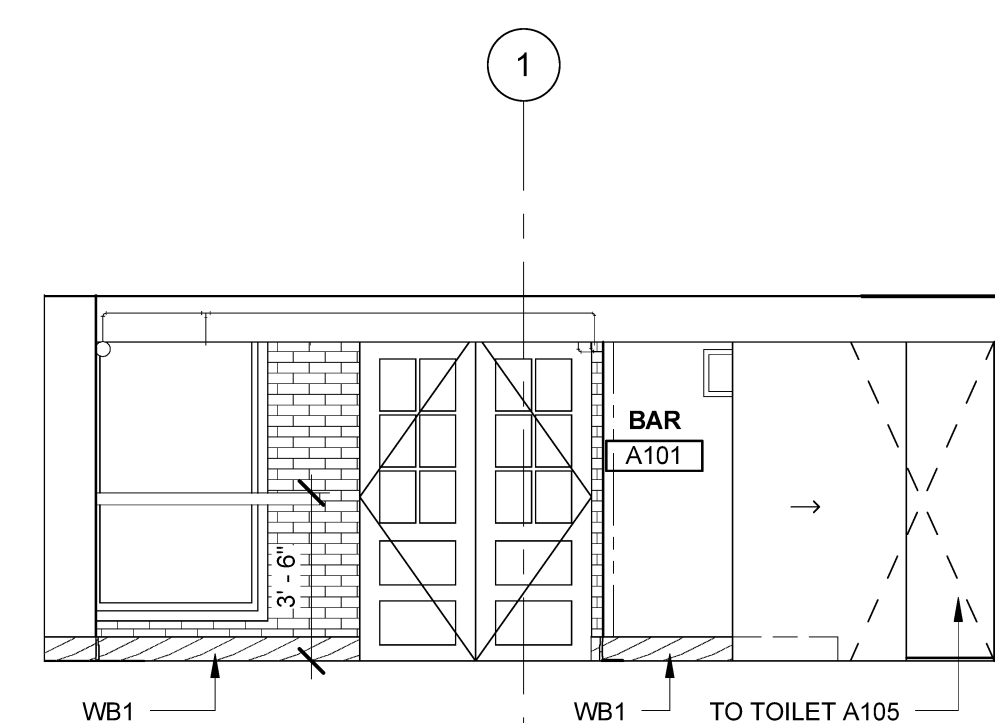
D3 ROOM A101, A103, A104 NORTH ELEVATION
SCALE: 1/4" = 1'-0"



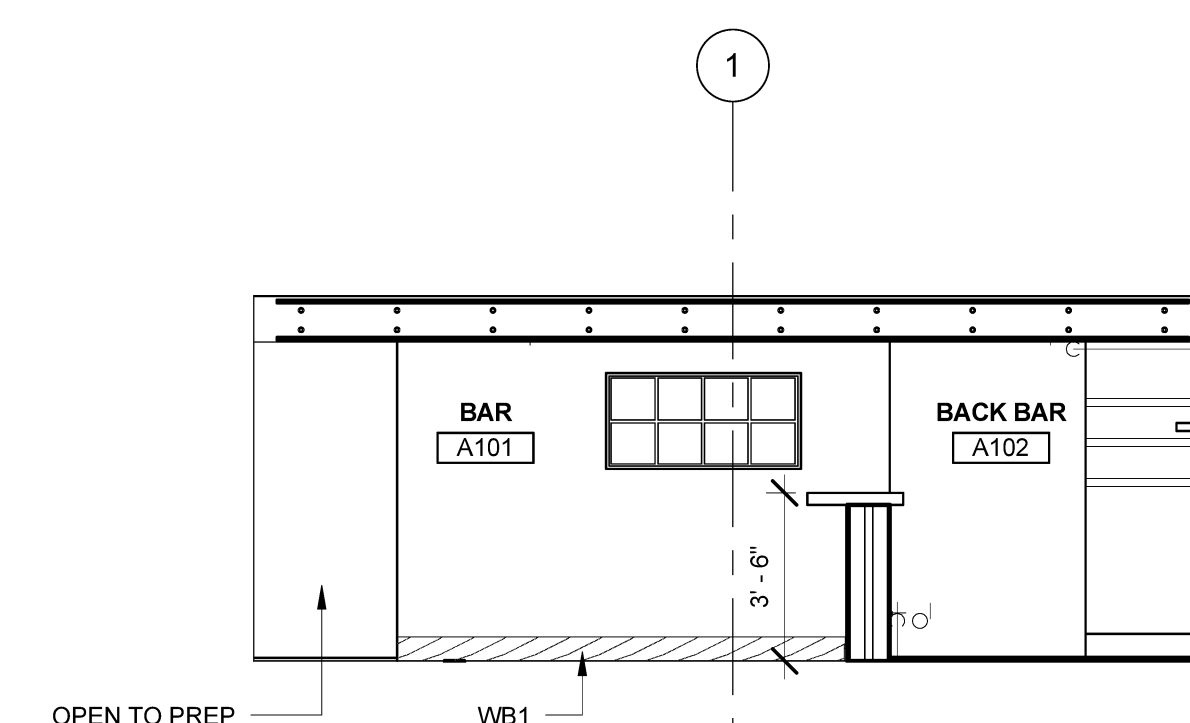
C1 ROOM A101, A102, A103 SOUTH ELEVATION
SCALE: 1/4" = 1'-0"



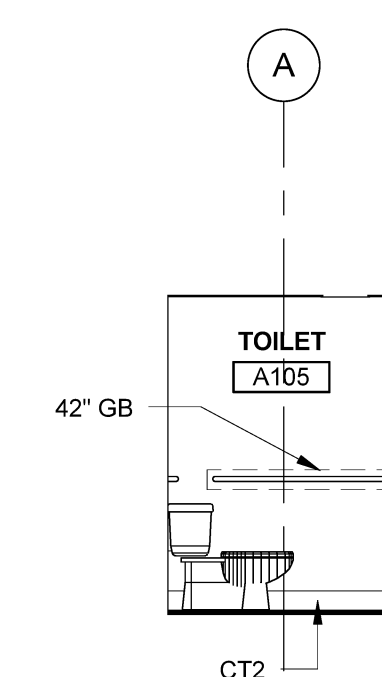
C3 ROOM A101, A103, A104 SOUTH ELEVATION
SCALE: 1/4" = 1'-0"



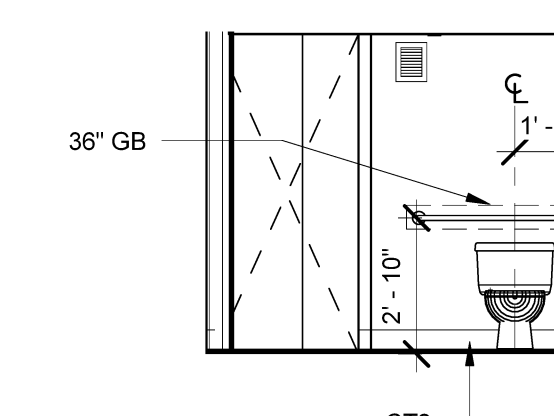
B1 BAR A101 EAST ELEVATION
SCALE: 1/4" = 1'-0"



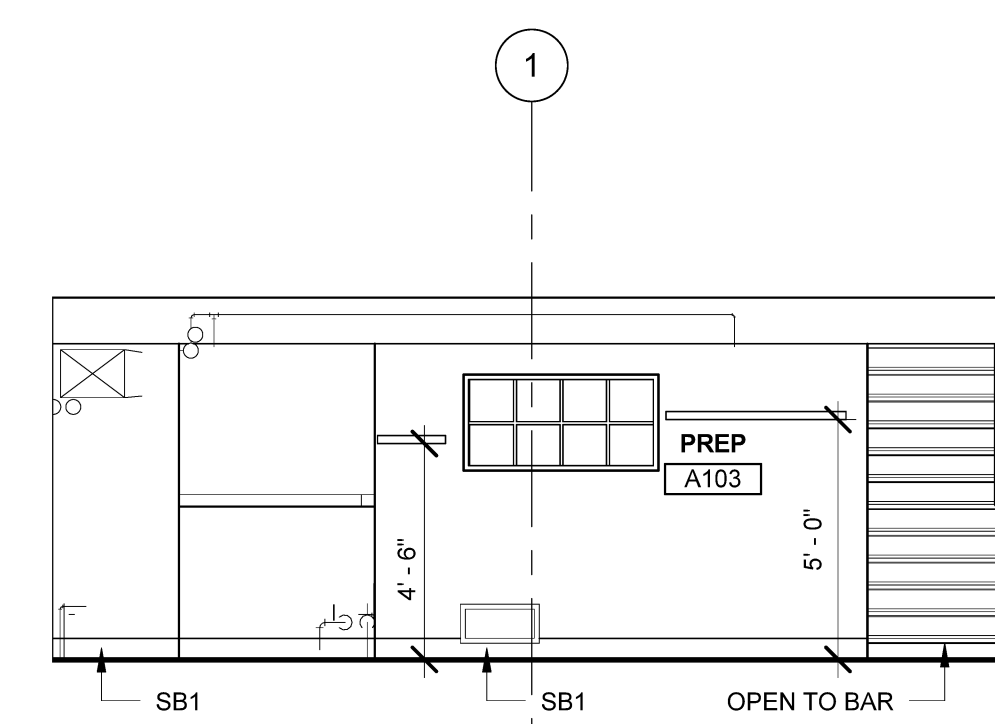
B2 ROOM A101, A102 WEST ELEVATION
SCALE: 1/4" = 1'-0"



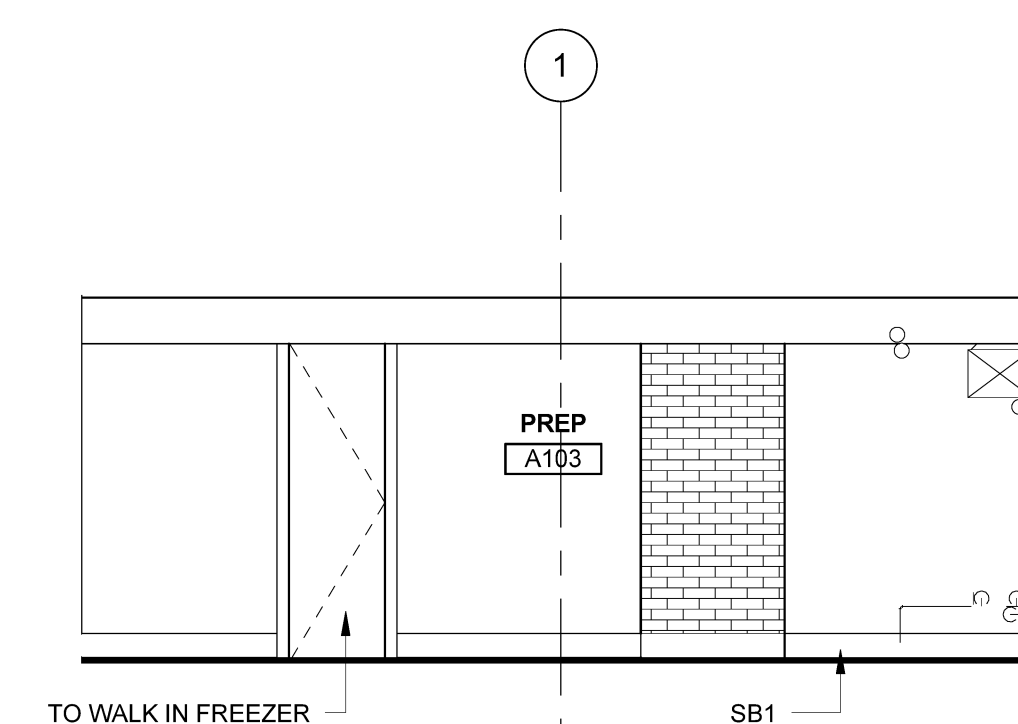
B4 TOILET A105 NORTH ELEVATION
SCALE: 1/4" = 1'-0"



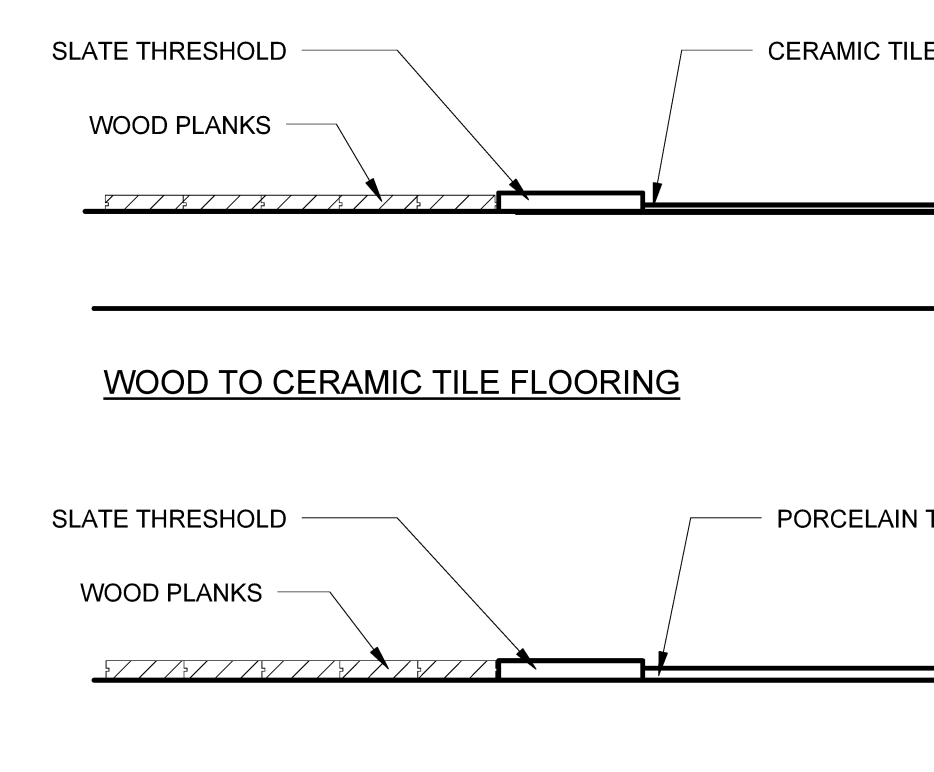
B5 TOILET A105 WEST ELEVATION
SCALE: 1/4" = 1'-0"



A1 PREP A103 EAST ELEVATION
SCALE: 1/4" = 1'-0"



A2 PREP A103 WEST ELEVATION
SCALE: 1/4" = 1'-0"



A4 FLOOR MATERIAL TRANSITIONS
SCALE: 1 1/2" = 1'-0"

Plot Date: 5/31/2013 2:55:58 PM