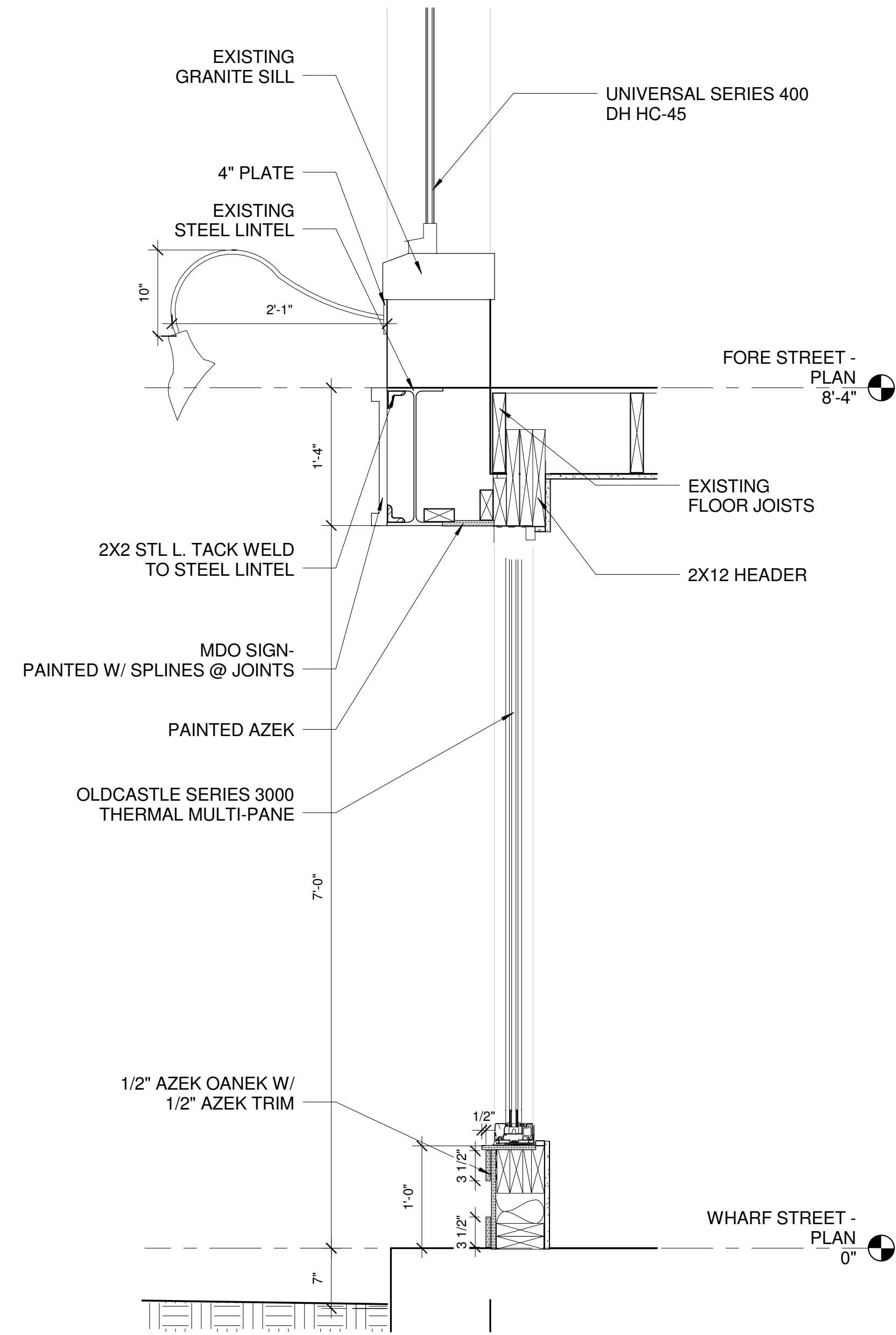


1 | WHARF STREET - DOOR SECTION
1" = 1'-0"



2 | WHARF STREET - WINDOW SECTION
1" = 1'-0"

Owner

Consultant:

ARCHETYPE
architects
48 Union Wharf Portland, Maine 04101
(207) 772-6022 Fax (207) 772-4056

Project:
10 Exchange Street
Portland, Maine

Revisions:

Date: 2-2-2015
Scale: 1" = 1'-0"

BUILDING SECTIONS

A3.02