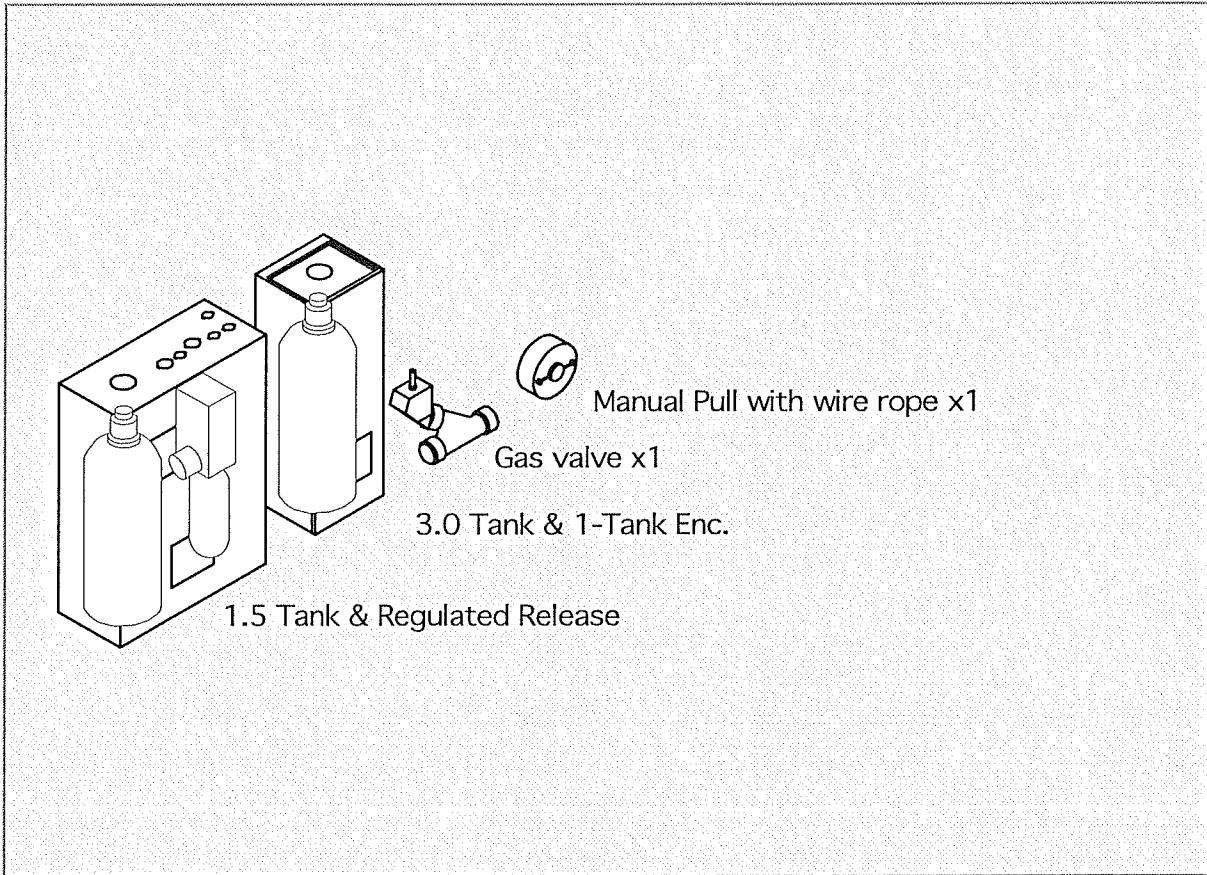




Install Date: 2013
Central Provisions
414 Fore Street
Portland, ME 04101

All State Fire Equipment
20C Del Carmine Street
Wakefield, MA 01880
Steve Keefe
781-224-1001
skeefe@lfpfire.com
4612

Ansul R102 UL 300

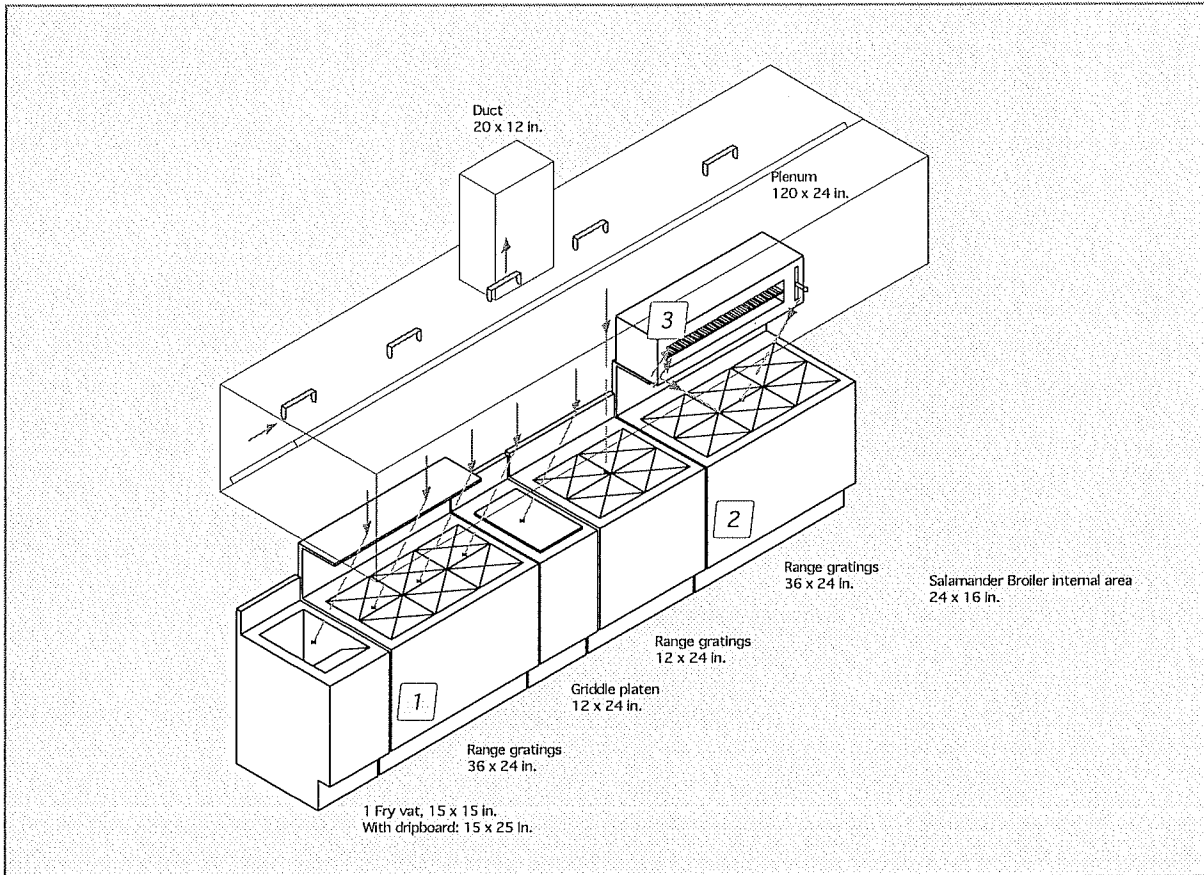




Install Date: 2013
 Central Provisions
 414 Fore Street
 Portland, ME 04101

All State Fire Equipment
 20C Del Carmine Street
 Wakefield, MA 01880
 Steve Keefe
 781-224-1001
 skeefe@lfpfire.com
 4612

Ansul R102 UL 300



Flow Summary:

Coverage	Overall Dimensions	Nozzle	Flows	Nozzle Location
Hood: Single Bank	120 x 54 in.	1N	1	2-4 in. from filter face, center of height dimension, aimed down filter length.
Duct: Square	20 x 12 in.	2W	2	2-8 in. into center of duct opening, aimed up
Fryer: 1 vat, dripboard	16 x 25 in.	3N	3	25-35 in., FRONT HALF of perimeter, aimed at center
Range: 6 burners, obstruction	36 x 30 in.	1F x3	3	40-48 in., front edge of burner, nozzle flats parallel with burner front-to-rea ... See Note 1
Griddle	12 x 24 in.	1N	1	35-40 in., 0-2 in. inside perimeter, aimed at center
Range: 2 burners	12 x 30 in.	1N	1	30-40 in., 0-10 in. from each burner centerline, aimed at midpoint
Range: 6 burners, obstruction	36 x 30 in.	290 x2	4	15-20 in., 2 290 nozzles, opposite sides, each 0-1.5 in. from edge and 0-2 in. ... See Note 2
Salamander Broiler	36 x 18 in.	1/2N x2	1	One nozzle above the grate, pointed at back opposite corner. Other nozzle point ... See Note 3
Total Flow Points			16	