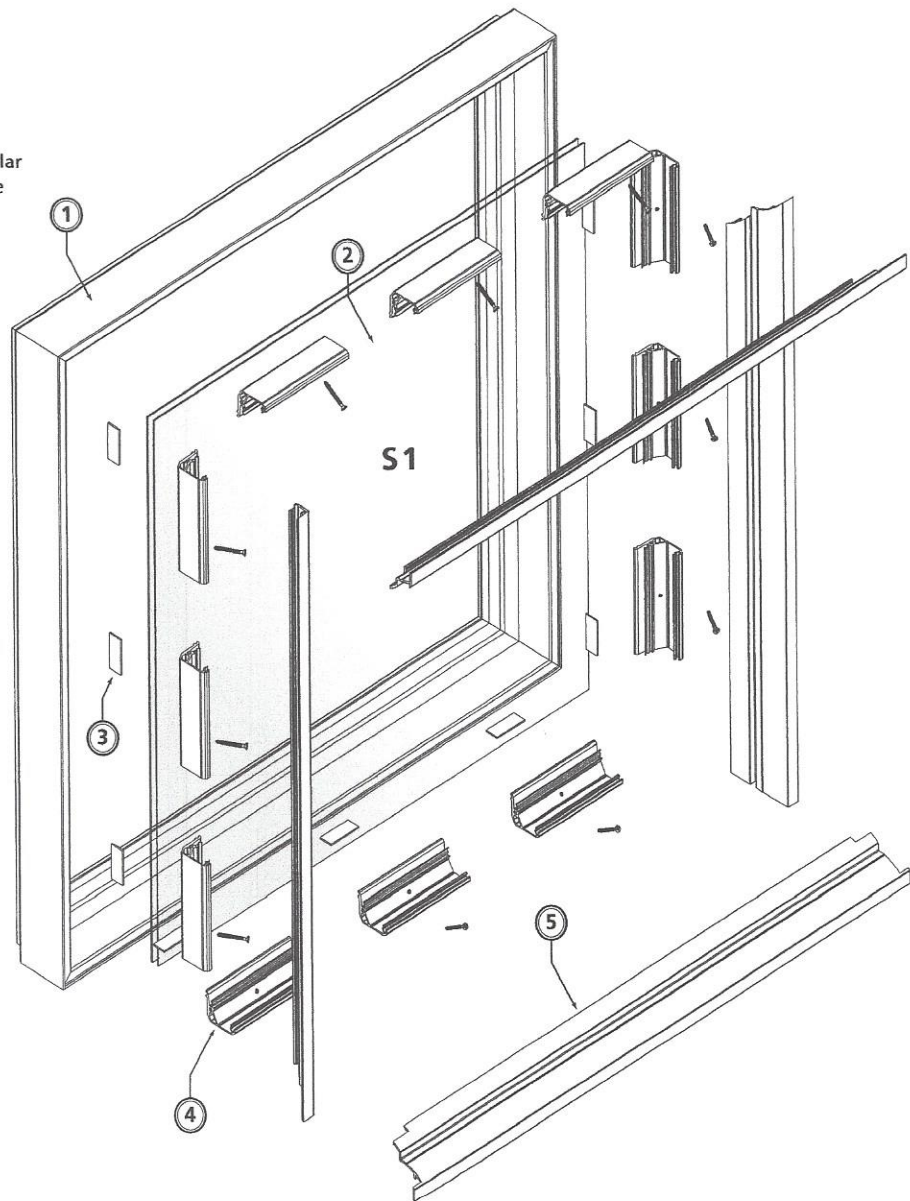


EXPLODED VIEW

PICTURE WINDOW



Insert picture window shown although part usage is the same or similar to those of insert and full-frame picture windows.



PICTURE WINDOW COMPONENTS

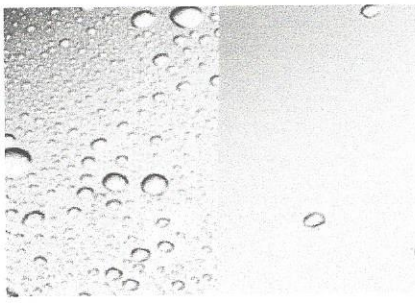
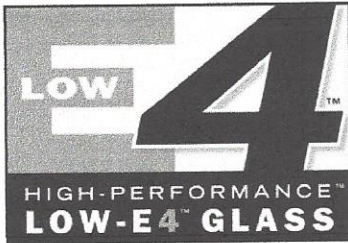
1. Frame (insert)
2. Glass
3. (Glass) setting block
4. Glass stop
5. Glass stop cover

STANDARD FEATURES

PICTURE WINDOW



Full-Frame examples are shown although information in exploded view, standard features, and optional items applies to both full-frame and insert picture windows.



Regular Glass

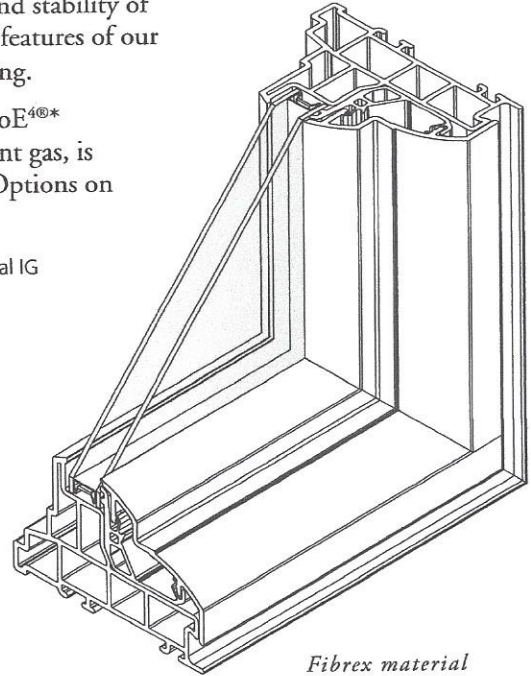
High-Performance Low-E4™ Glass

Described below are features that contribute to the picture window's low maintenance, energy efficiency, ease of operation, and pleasing appearance.

- **Frame** – Made of rigid Fibrex® material, a unique structural composite of wood fibers and a special thermoplastic polymer. Developed by Andersen®, Fibrex material combines the strength and stability of wood with the low-maintenance features of our time-tested Perma-Shield® cladding.
- **Glazing** – High-Performance™ LoE4®\* glass with an inert, energy-efficient gas, is standard for every window. See Options on page 5-5 for other glass choices.

\*LoE4 is a registered trademark of Cardinal IG Company.

- **Glass spacer** – The patented low-conductivity spacer is made of stainless steel and resists heat transfer four to five times better than aluminum spacers used by many other manufacturers.
- **Low-maintenance exterior coating** – A highly durable microscopic coating of titanium dioxide (TiO<sub>2</sub>) is applied to the exterior glass surface during the glass manufacturing process. High-Performance Low-E4™ glass is self-activating by exposure to sunlight. When activated by sunlight, it loosens dirt, dust and organic material which are then washed away by rain. The glass dries faster and reduces water spotting by up to 99%. (See illustration.)  
Once the coating is activated or “charged,” it will hold its activation for some time. The more sunlight it receives, the better the activation. When re-exposed to a sunlight, the coating will recharge after periods of lower sunlight levels.
- **Removable protective film** – Packaging features a clear protective film that is factory applied to both the interior and exterior glass surfaces to help protect the glass from shipping and installation damage.



Fibrex material frame corner section