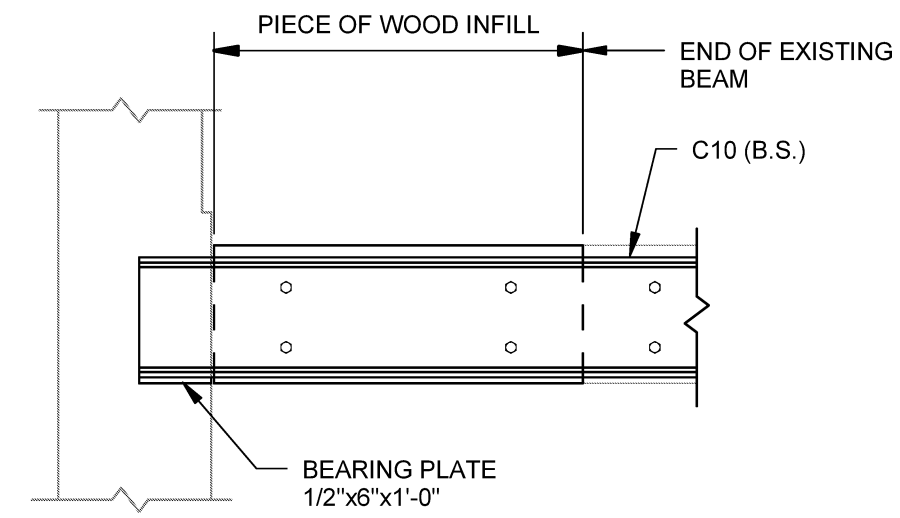
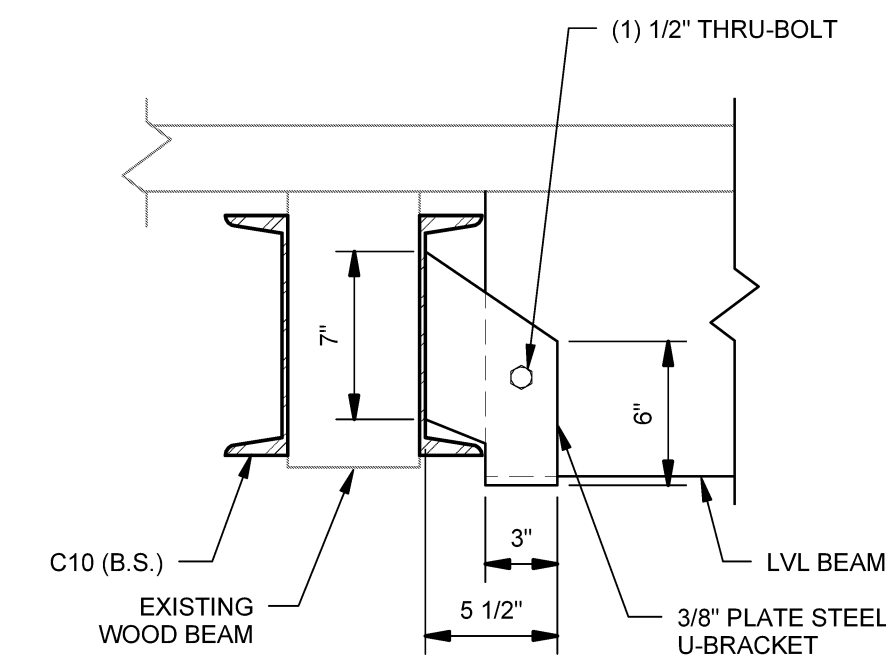


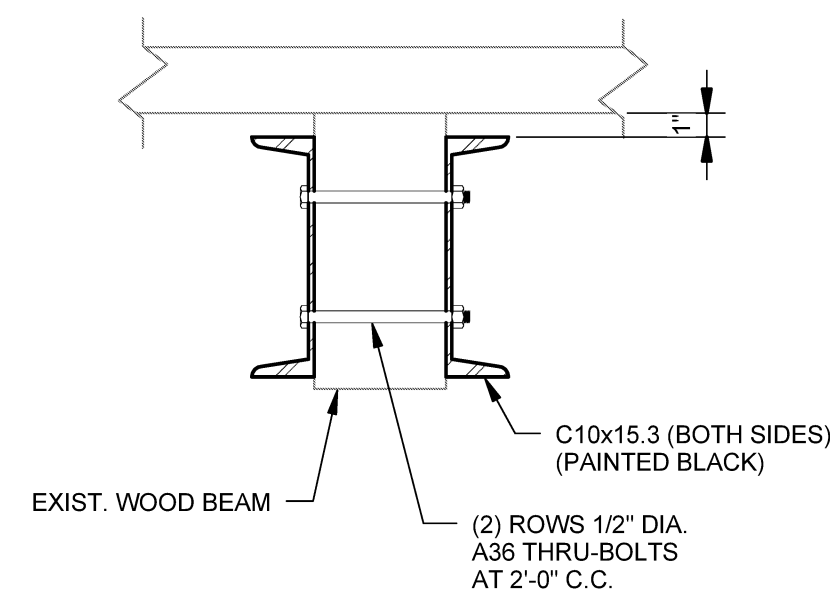
C1 SECTION AT BEAM REINFORCING
SCALE: 3/4" = 1'-0"



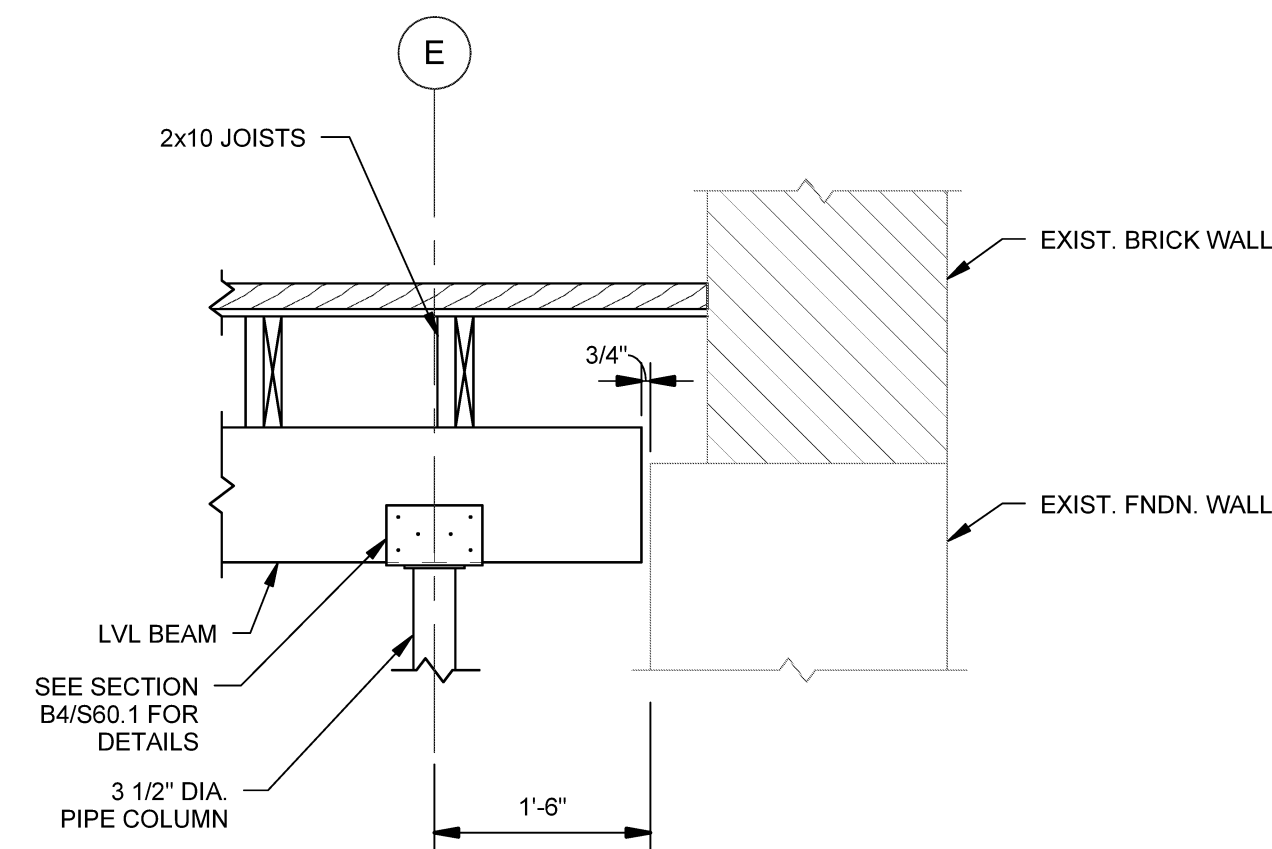
C2 END CONDITION (2 LOCATIONS)
SCALE: 3/4" = 1'-0"



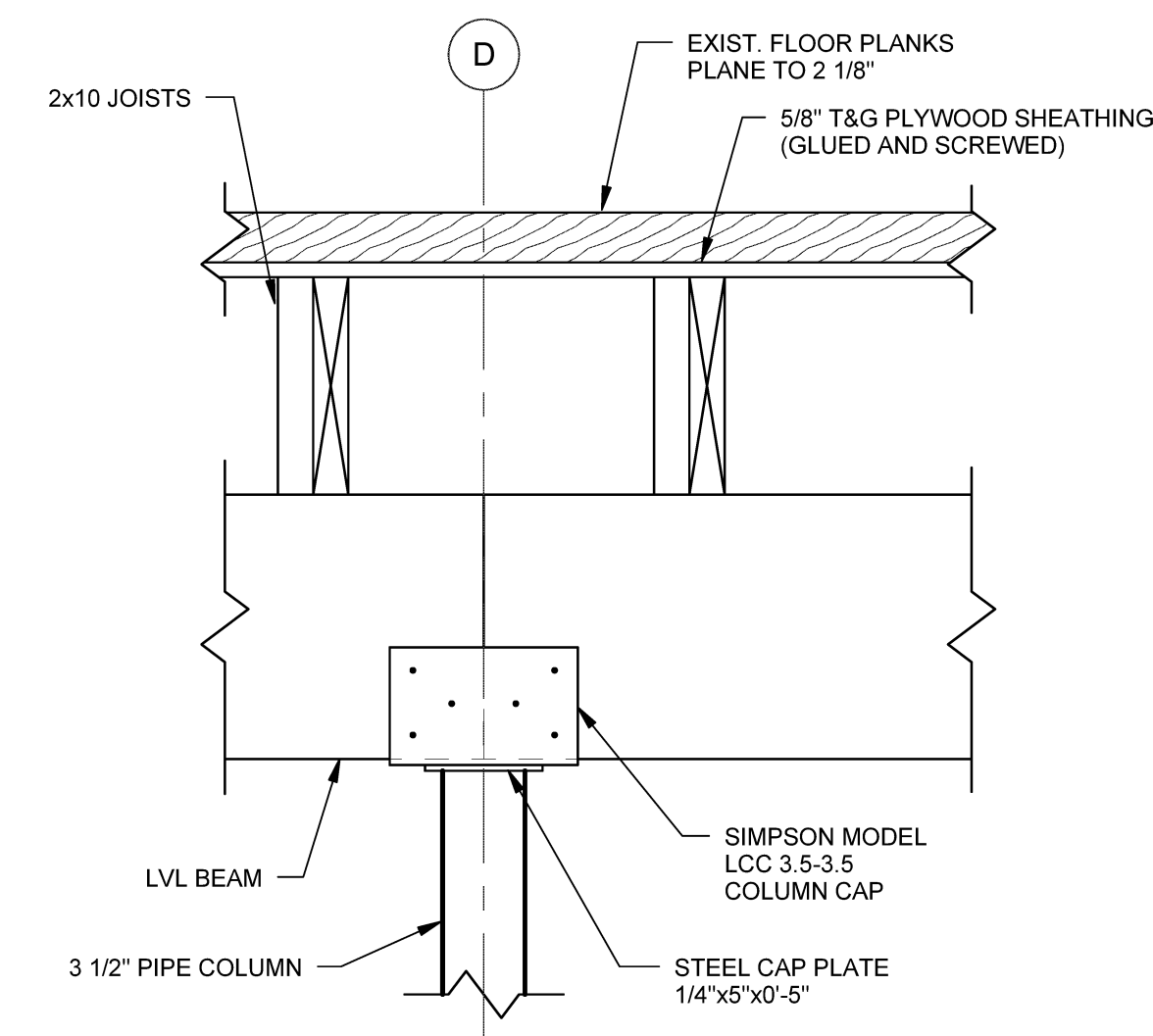
C4 SECTION AT LVL TO STEEL CONNECTION
SCALE: 1 1/2" = 1'-0"



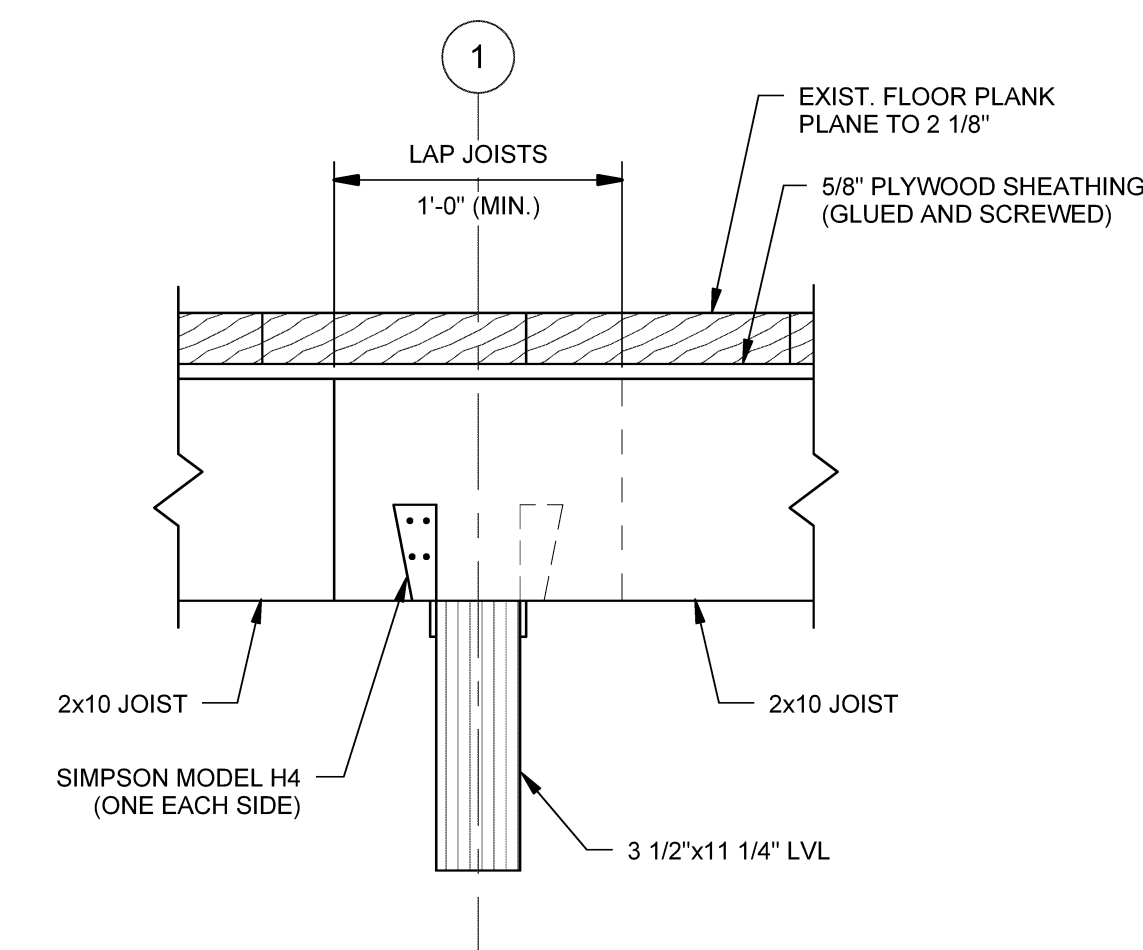
B1 SECTION AT BEAM REINFORCING
SCALE: 1 1/2" = 1'-0"



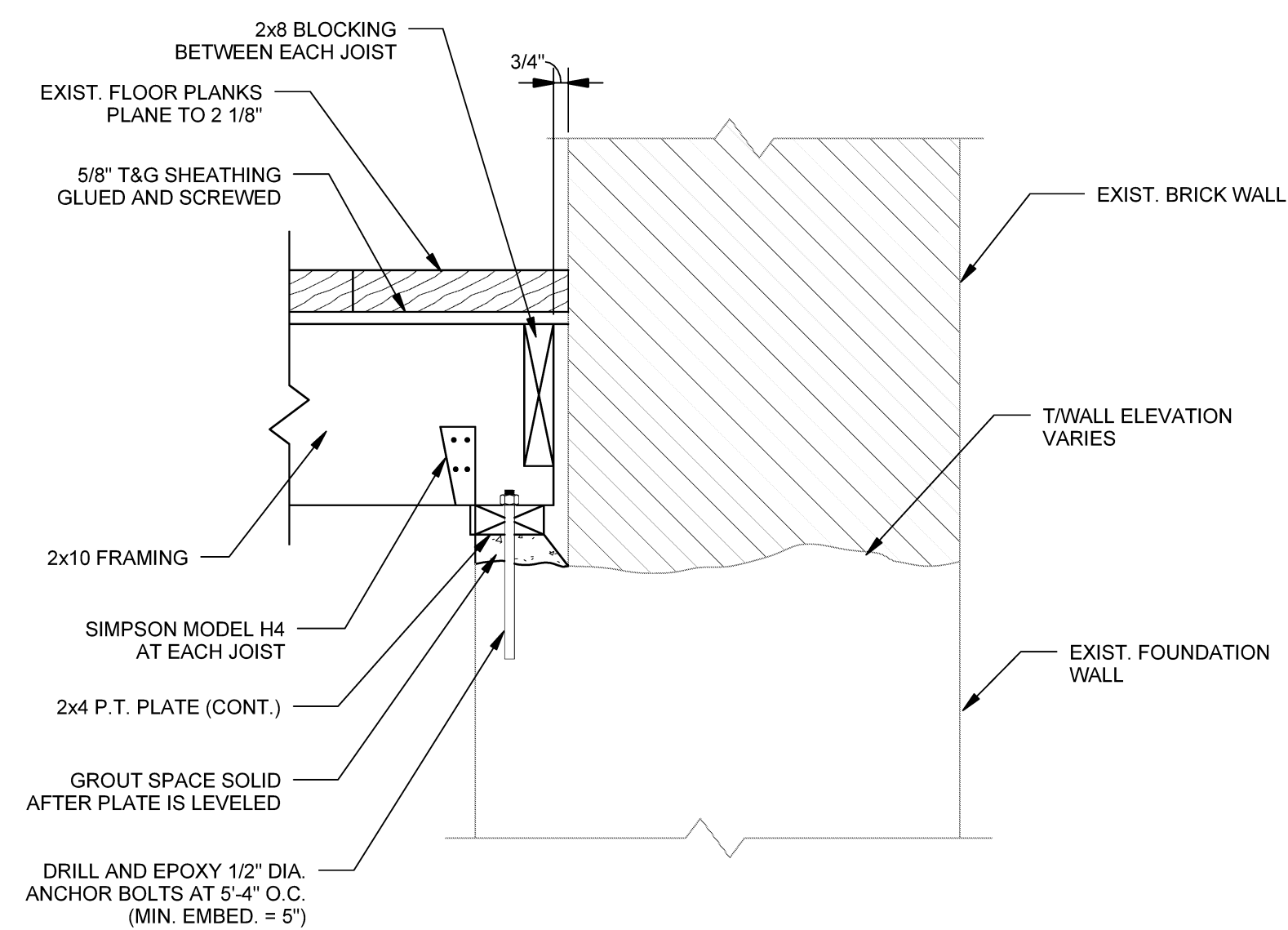
B2 SECTION AT CANTILEVER BEAM
SCALE: 3/4" = 1'-0"



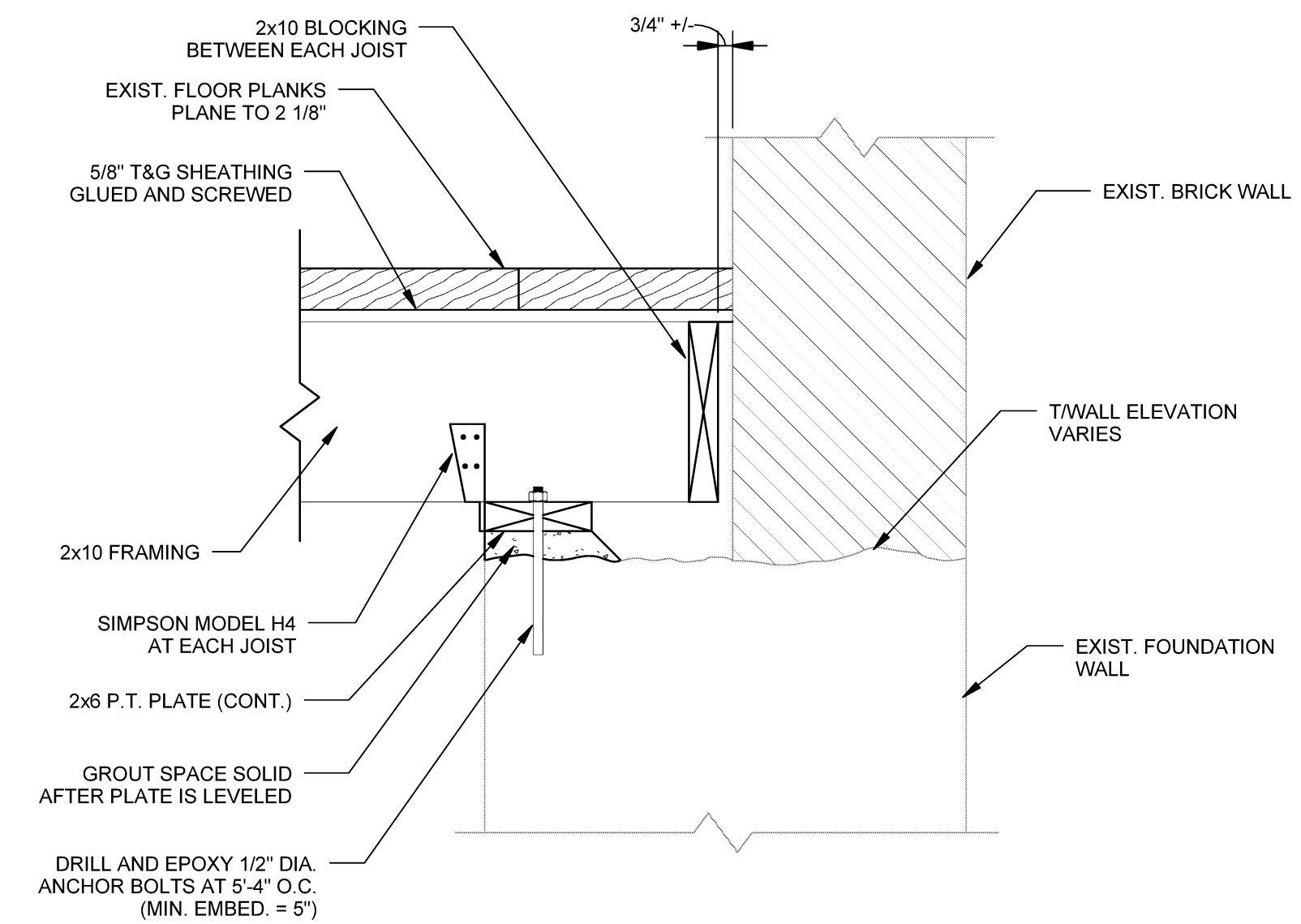
B4 SECTION AT INTERIOR COLUMN
SCALE: 1 1/2" = 1'-0"



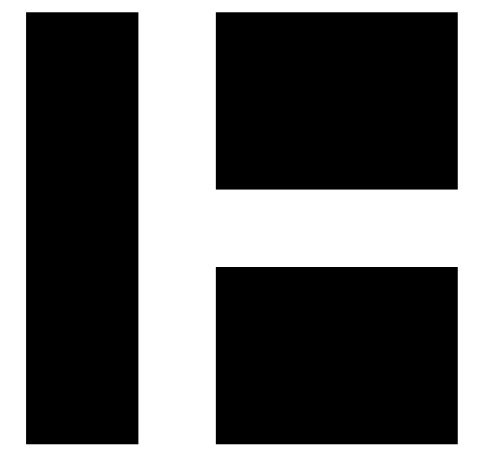
A1 SECTION AT JOIST BEARING
SCALE: 1 1/2" = 1'-0"



A2 SECTION
SCALE: 1 1/2" = 1'-0"



A4 SECTION
SCALE: 1 1/2" = 1'-0"



HARRIMAN

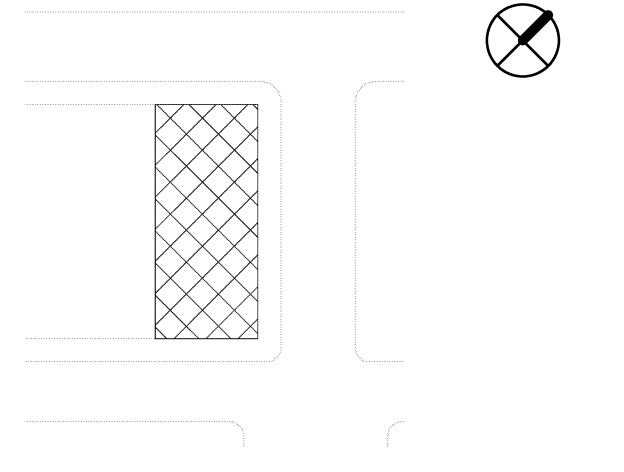
AUBURN PORTLAND MANCHESTER

GOULD RESTAURANT

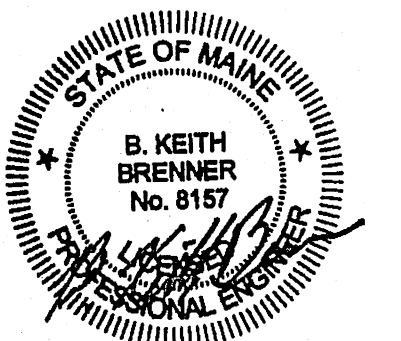
414 FORE STREET
PORTLAND, ME 04101

Harriman Project No. 12752

Key Plan Proj North



Issues and Revisions		
Mark	Date	Description
-	05-31-13	ISSUED FOR CONSTRUCTION
--	07-26-13	RE-ISSUED FOR CONSTRUCTION
---	09-23-13	RE-ISSUED FOR CONSTRUCTION



Drawing Scales	0	6"	1'	2'
As indicated	3/4" = 1'-0"			
	0	4"	8"	1'
	1 1/2" = 1'-0"			

PA / PE: BKB © 2013
 Drawn By: MRM Harriman Associates

STRUCTURAL DETAILS

S60.1