

HARRIMAN

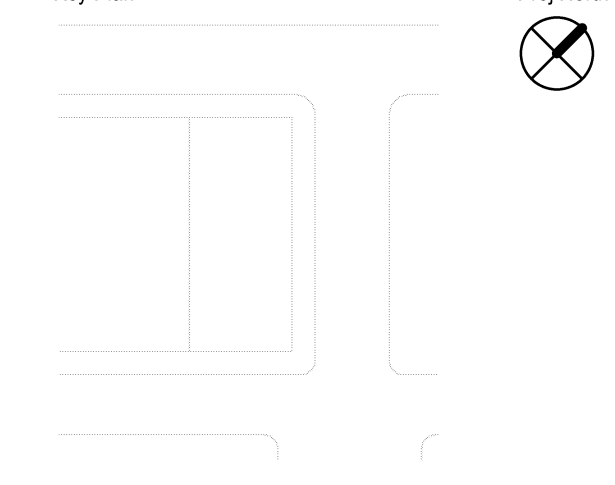
AUBURN PORTLAND MANCHESTER

GOULD RESTAURANT

414 FORE STREET
PORTLAND, ME 04101

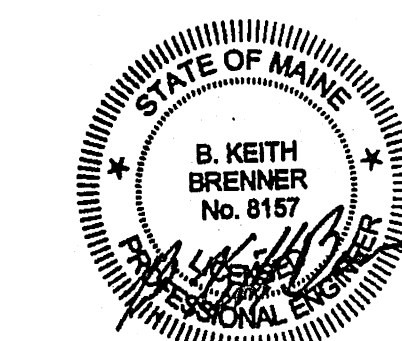
Harriman Project No. 12752

Key Plan Proj North



Issues and Revisions

Mark	Date	Description
-	09-23-13	RE-ISSUED FOR CONSTRUCTION

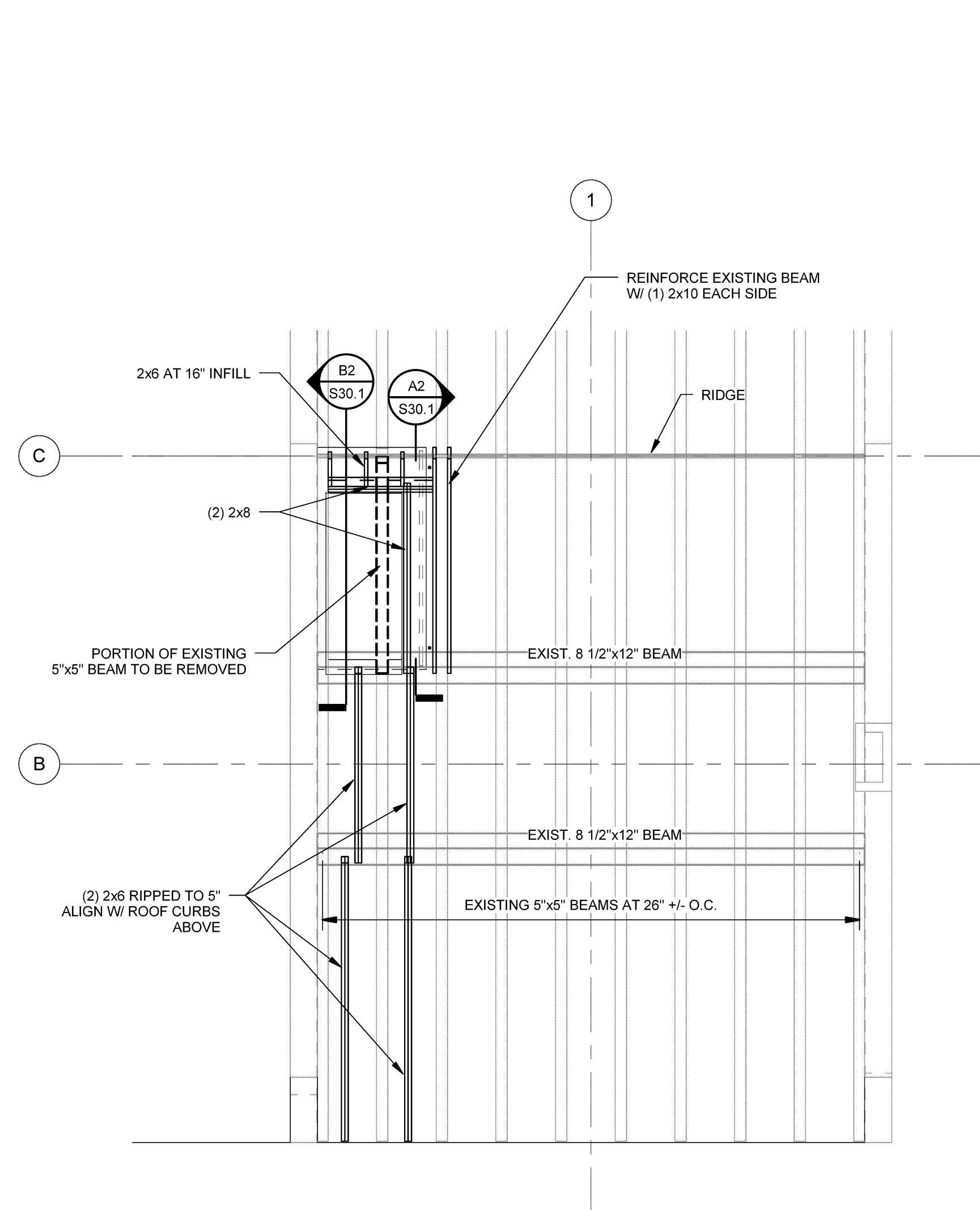


Drawing Scales	0 2' 4' 6'
As indicated	1/4" = 1'-0"

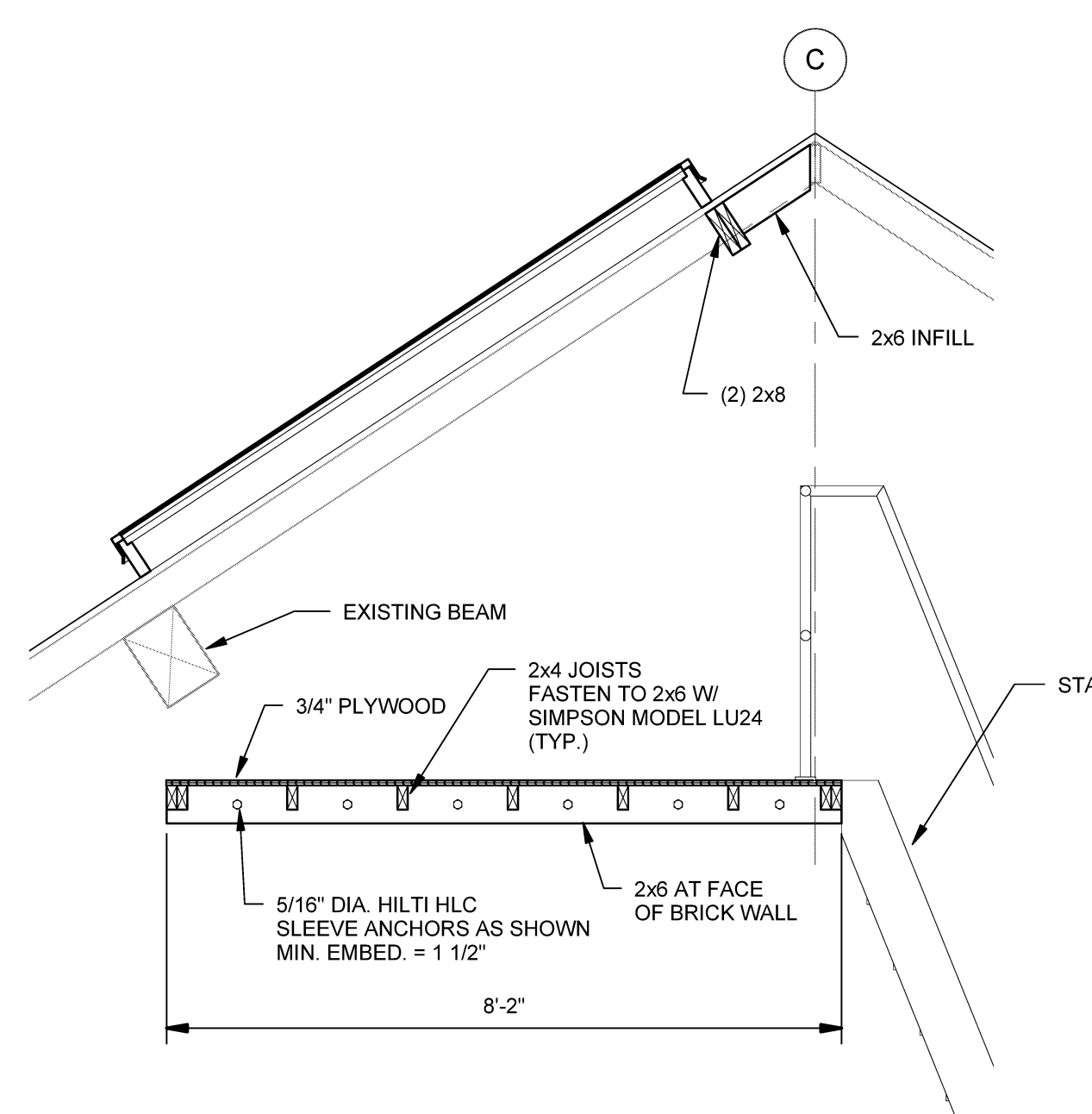
0 1' 2' 3'	0 6" 1' 2'
1/2" = 1'-0"	3/4" = 1'-0"

0 4" 8" 1'	
1 1/2" = 1'-0"	

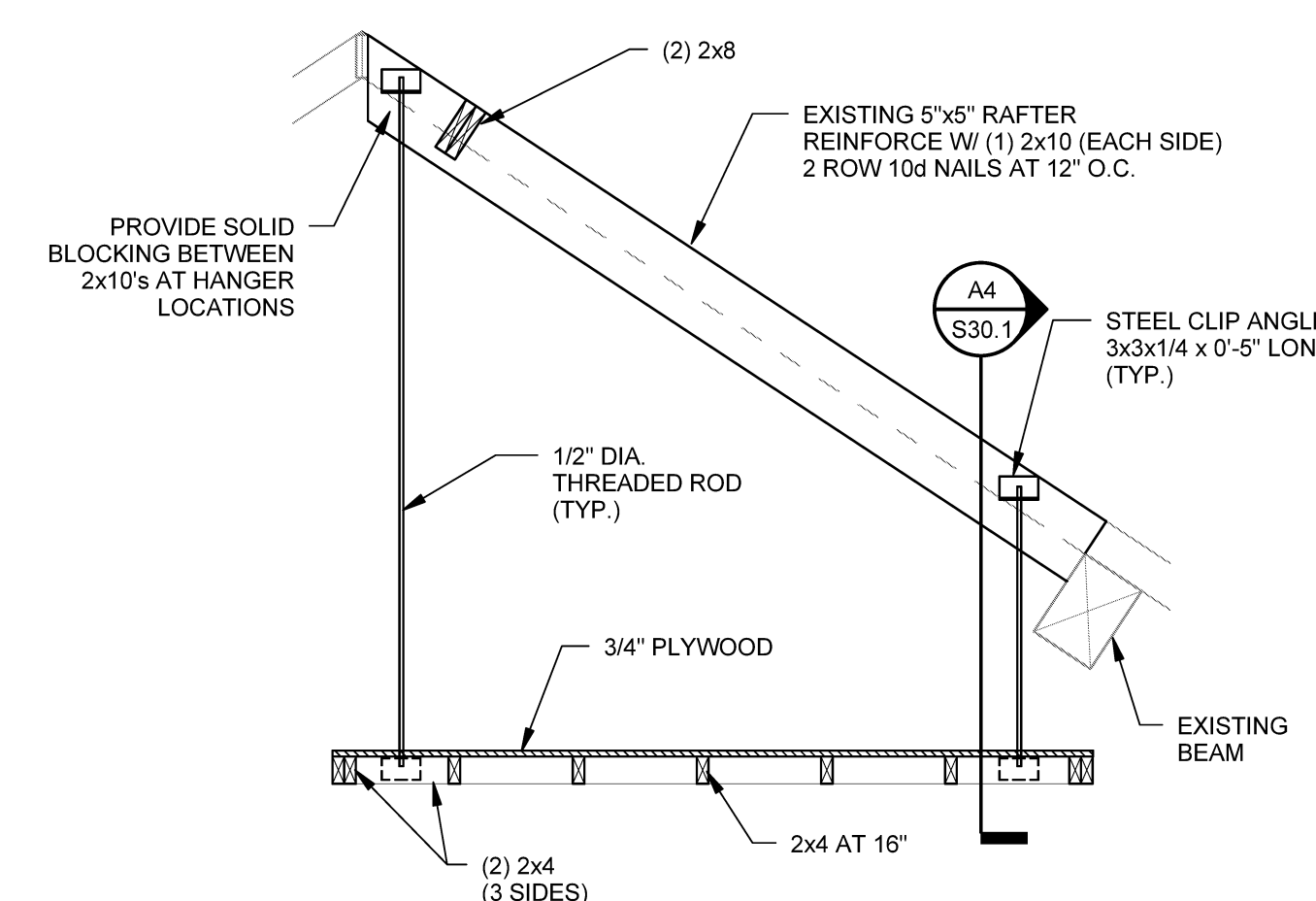
PA / PE: BKB	© 2013
Drawn By: MRM	Harriman Associates



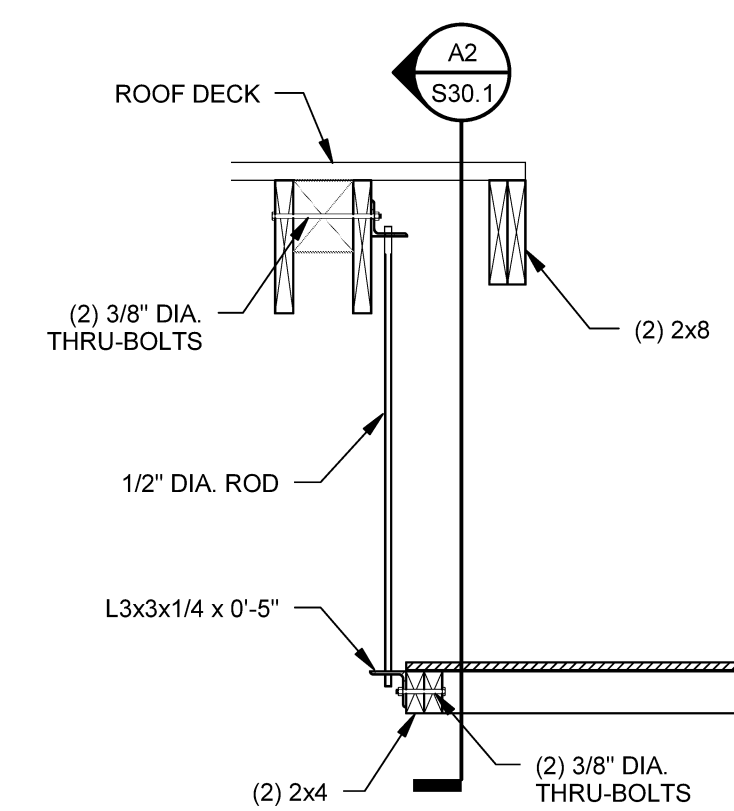
A1 PARITAL ROOF FRAMING PLAN
SCALE: 1/4" = 1'-0"



B2 SECTION AT ROOF ACCESS PLATFORM
SCALE: 1/2" = 1'-0"



A2 SECTION AT ROOF ACCESS PLATFORM
SCALE: 1/2" = 1'-0"



A4 SECTION AT PLATFORM HANGER
SCALE: 3/4" = 1'-0"

ROOF FRAMING PLAN,
NOTES AND DETAILS

S30.1