

HARRIMAN

AUBURN PORTLAND MANCHESTER

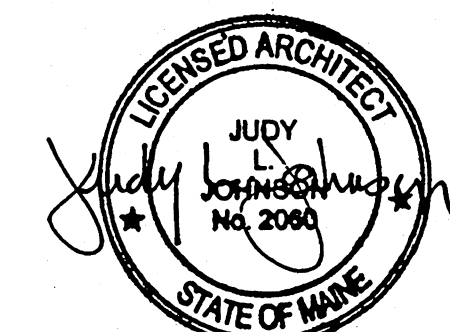
GOULD RESTAURANT

414 FORE STREET
PORTLAND, ME 04101

Harriman Project No. 12752

Key Plan Proj North

Issues and Revisions		
Mark	Date	Description
	05-21-13	75% REVIEW
	05-31-13	ISSUED FOR CONSTRUCTION
	06-10-13	ISSUED FOR PERMITTING
	07-26-13	RE-ISSUED FOR CONSTRUCTION
	09-23-13	RE-ISSUED FOR CONSTRUCTION

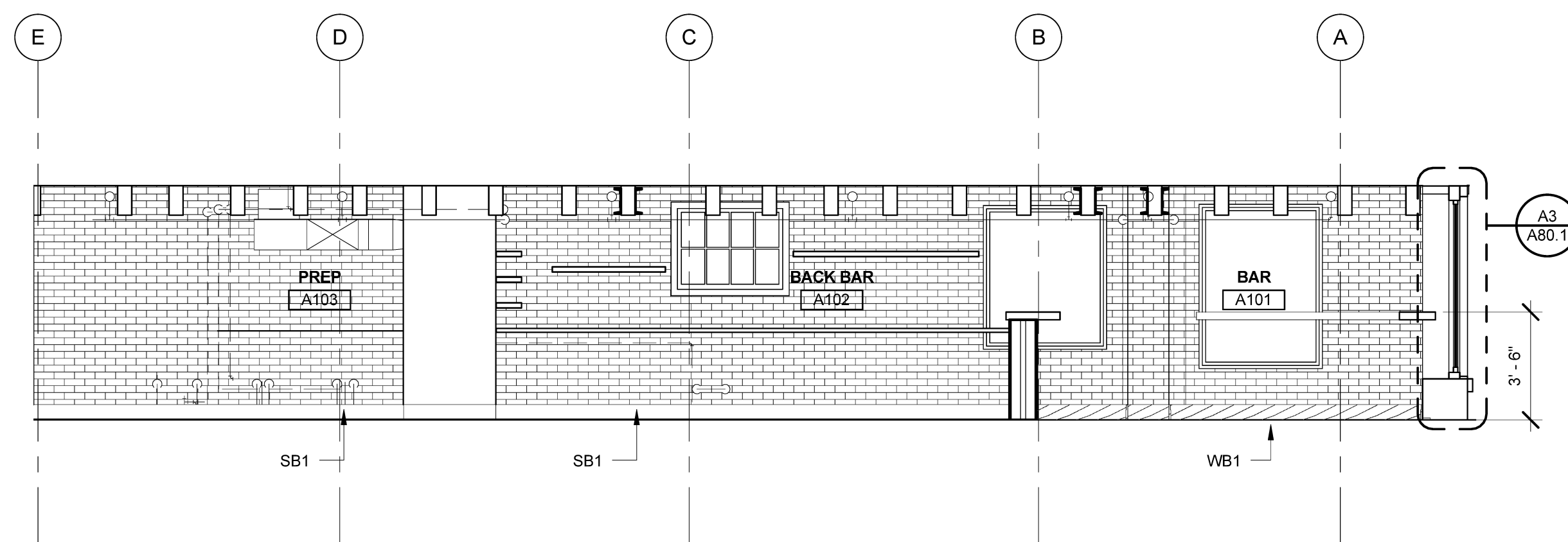


Drawing Scales		0	2'	4'	6'
As indicated		1/4" = 1'-0"			
		0	4"	8"	1'
		1 1/2" = 1'-0"			

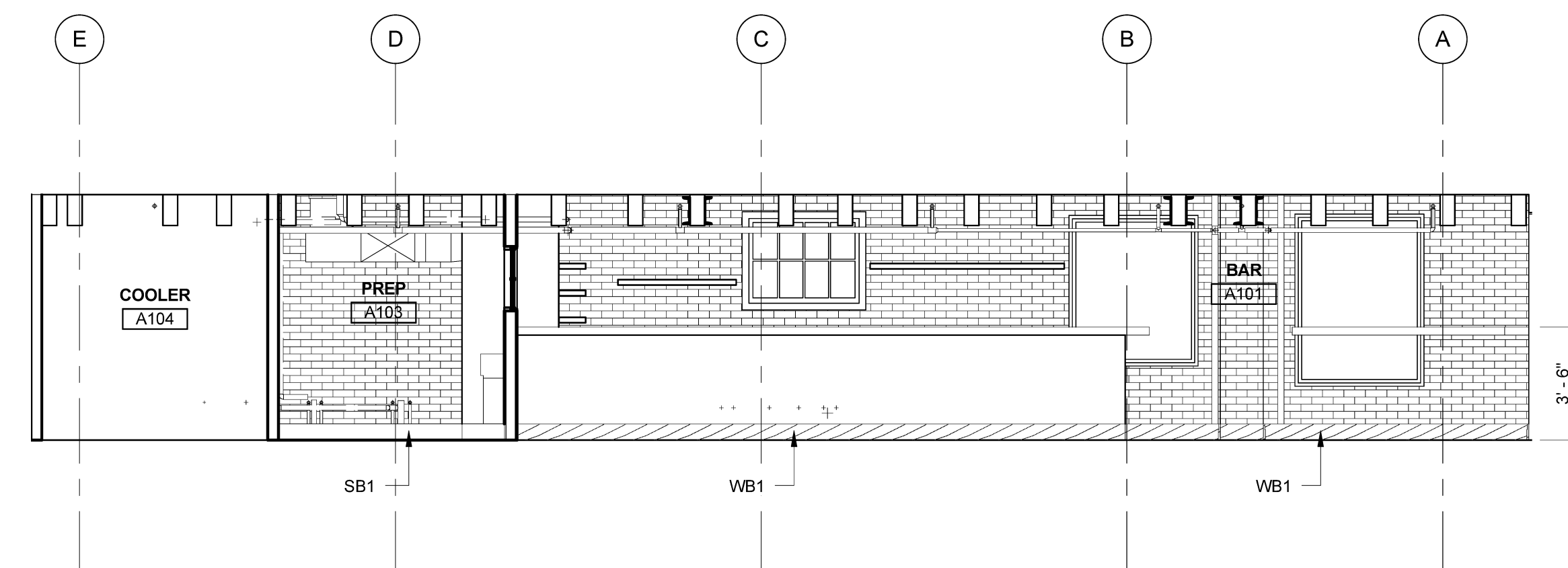
PA / PE: RBB © 2013
Drawn By: CMP Harriman Associates

INTERIOR ELEVATIONS

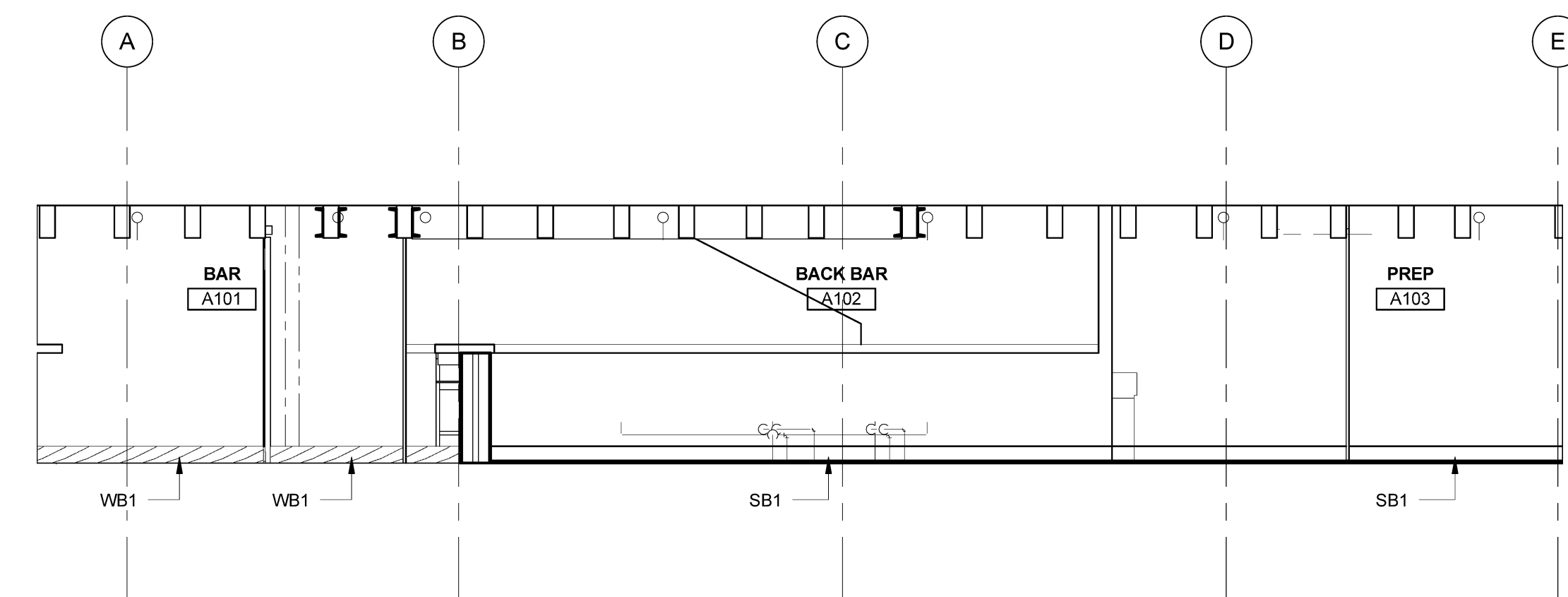
A81.1



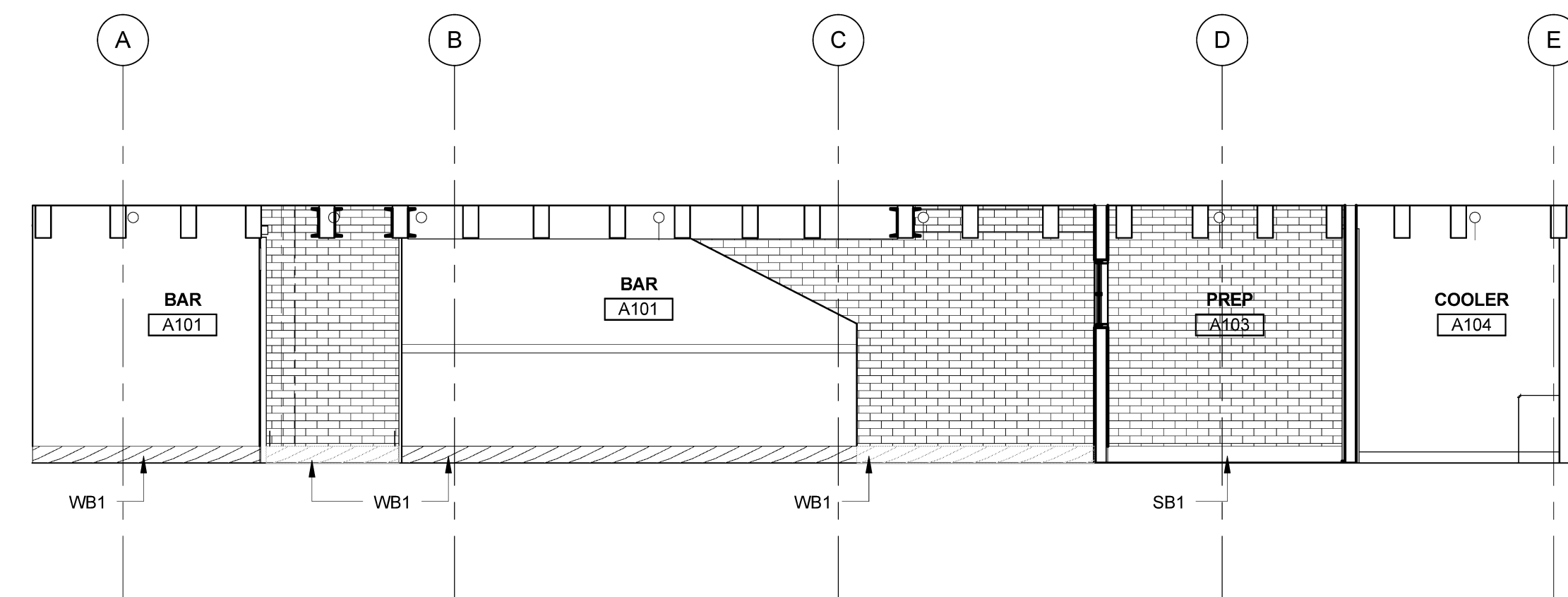
D1 ROOM A101, A102, A103 NORTH ELEVATION
SCALE: 1/4" = 1'-0"



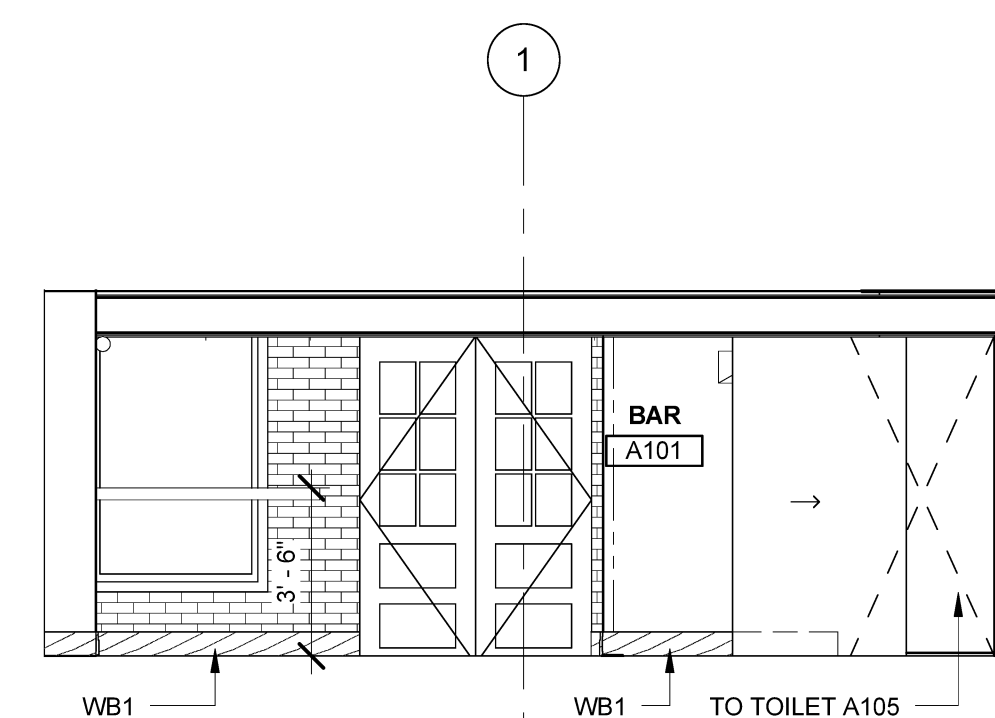
D3 ROOM A101, A103, A104 NORTH ELEVATION
SCALE: 1/4" = 1'-0"



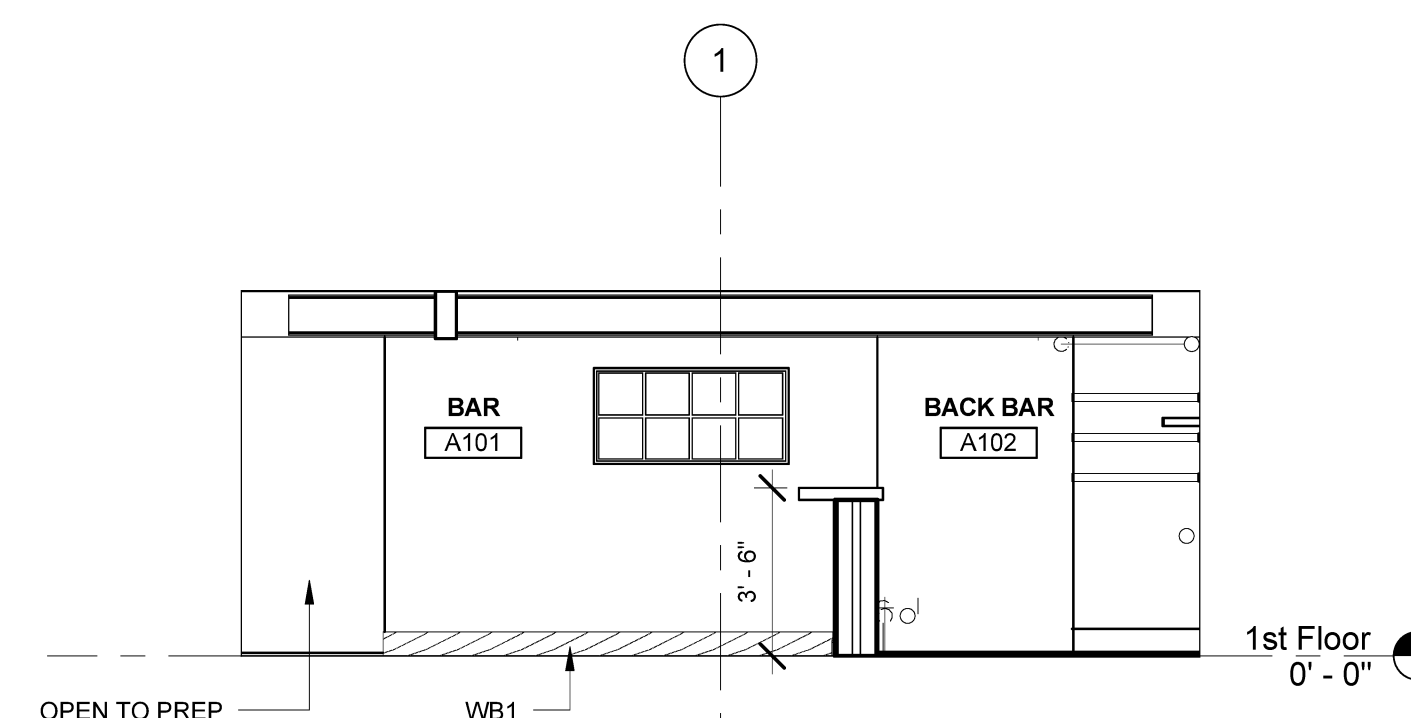
C1 ROOM A101, A102, A103 SOUTH ELEVATION
SCALE: 1/4" = 1'-0"



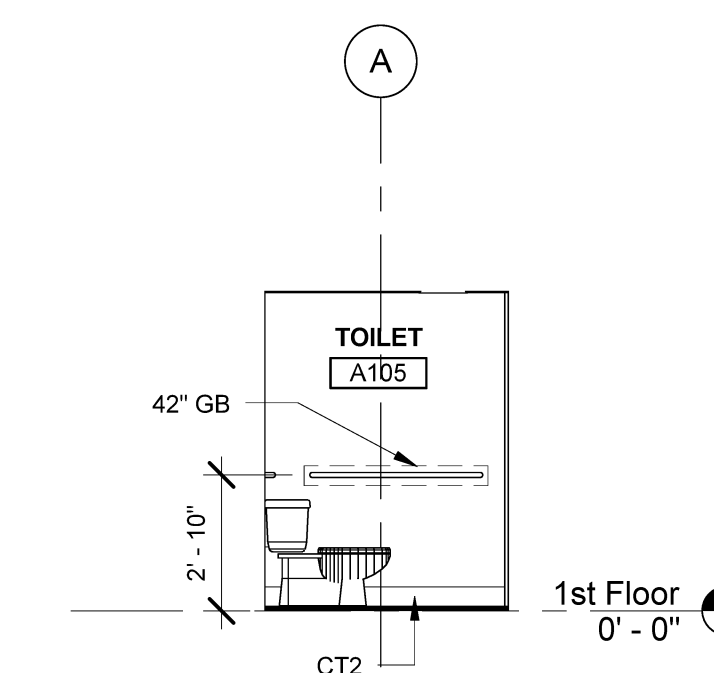
C3 ROOM A101, A103, A104 SOUTH ELEVATION
SCALE: 1/4" = 1'-0"



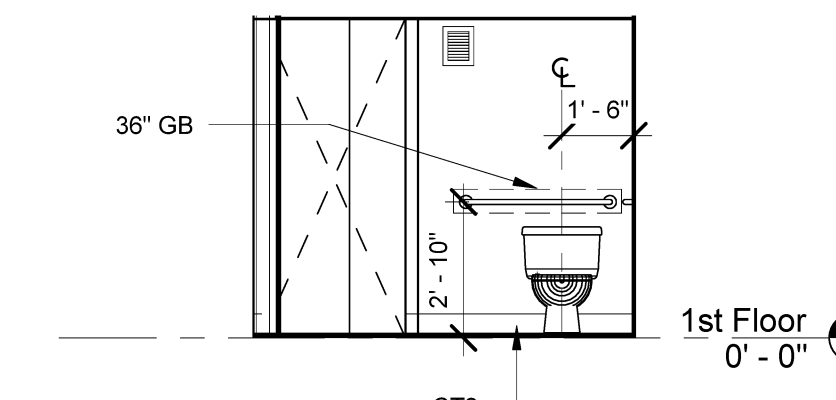
B1 BAR A101 EAST ELEVATION
SCALE: 1/4" = 1'-0"



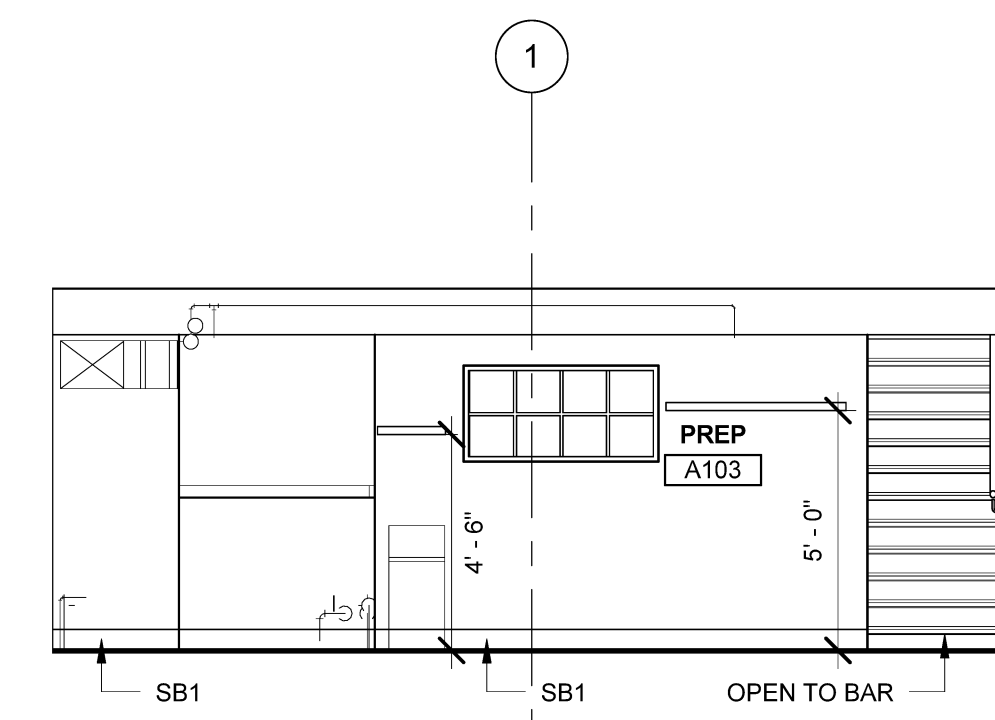
B2 ROOM A101, A102 WEST ELEVATION
SCALE: 1/4" = 1'-0"



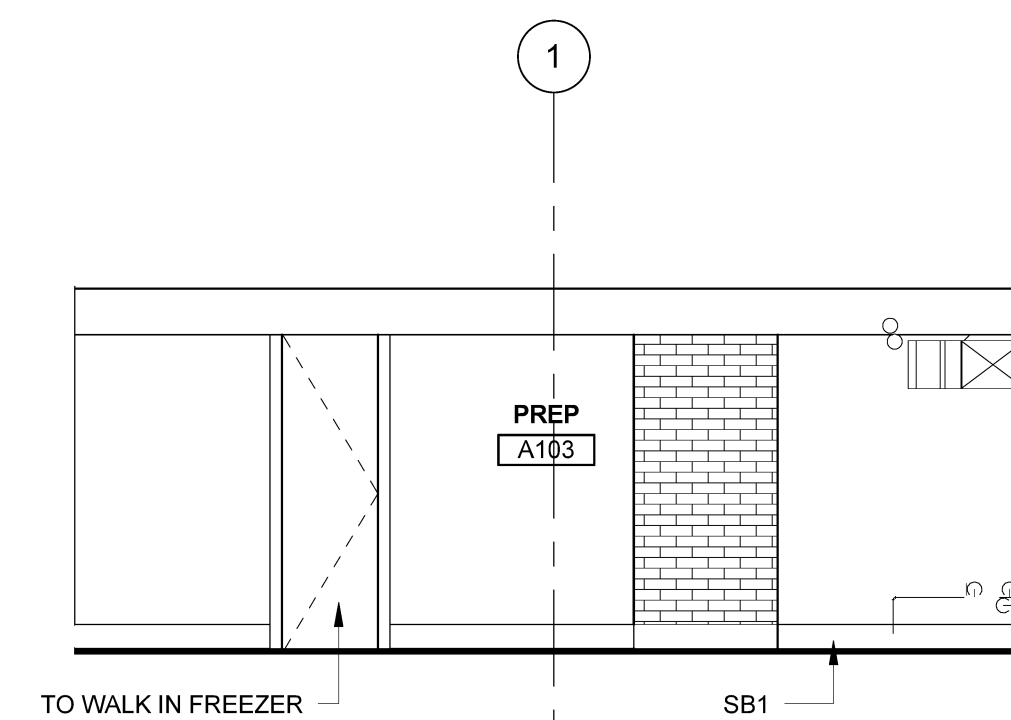
B4 TOILET A105 NORTH ELEVATION
SCALE: 1/4" = 1'-0"



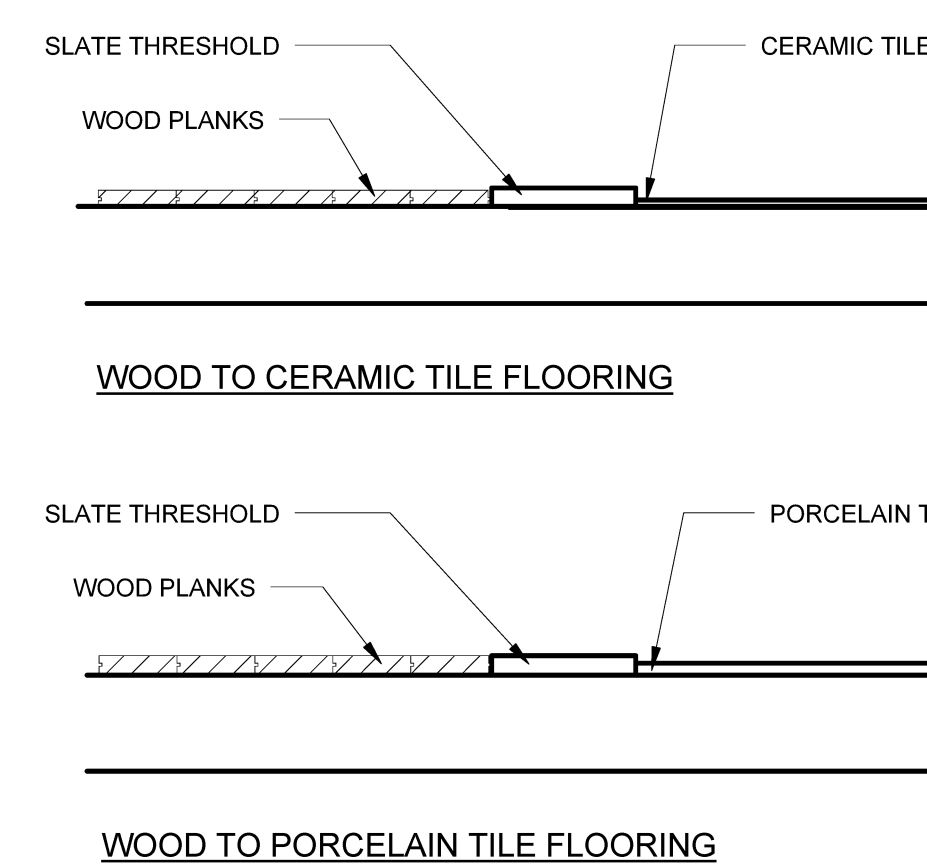
B5 TOILET A105 WEST ELEVATION
SCALE: 1/4" = 1'-0"



A1 PREP A103 EAST ELEVATION
SCALE: 1/4" = 1'-0"



A2 PREP A103 WEST ELEVATION
SCALE: 1/4" = 1'-0"



A4 FLOOR MATERIAL TRANSITIONS
SCALE: 1 1/2" = 1'-0"

Plot Date: 9/23/2013 1:15:45 PM