

HARRIMAN

AUBURN PORTLAND MANCHESTER

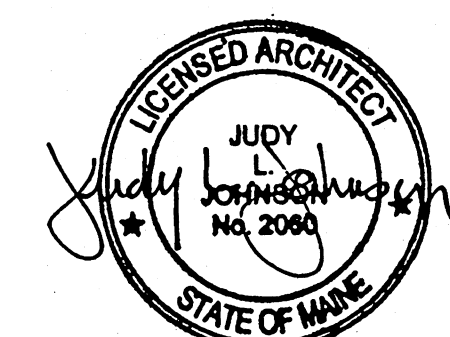
GOULD RESTAURANT

414 FORE STREET
PORTLAND, ME 04101

Harriman Project No. 12752

Key Plan Proj North

Issues and Revisions		
Mark	Date	Description
	05-21-13	75% REVIEW
	05-31-13	ISSUED FOR CONSTRUCTION
	06-10-13	ISSUED FOR PERMITTING
	07-26-13	RE-ISSUED FOR CONSTRUCTION
	09-23-13	RE-ISSUED FOR CONSTRUCTION

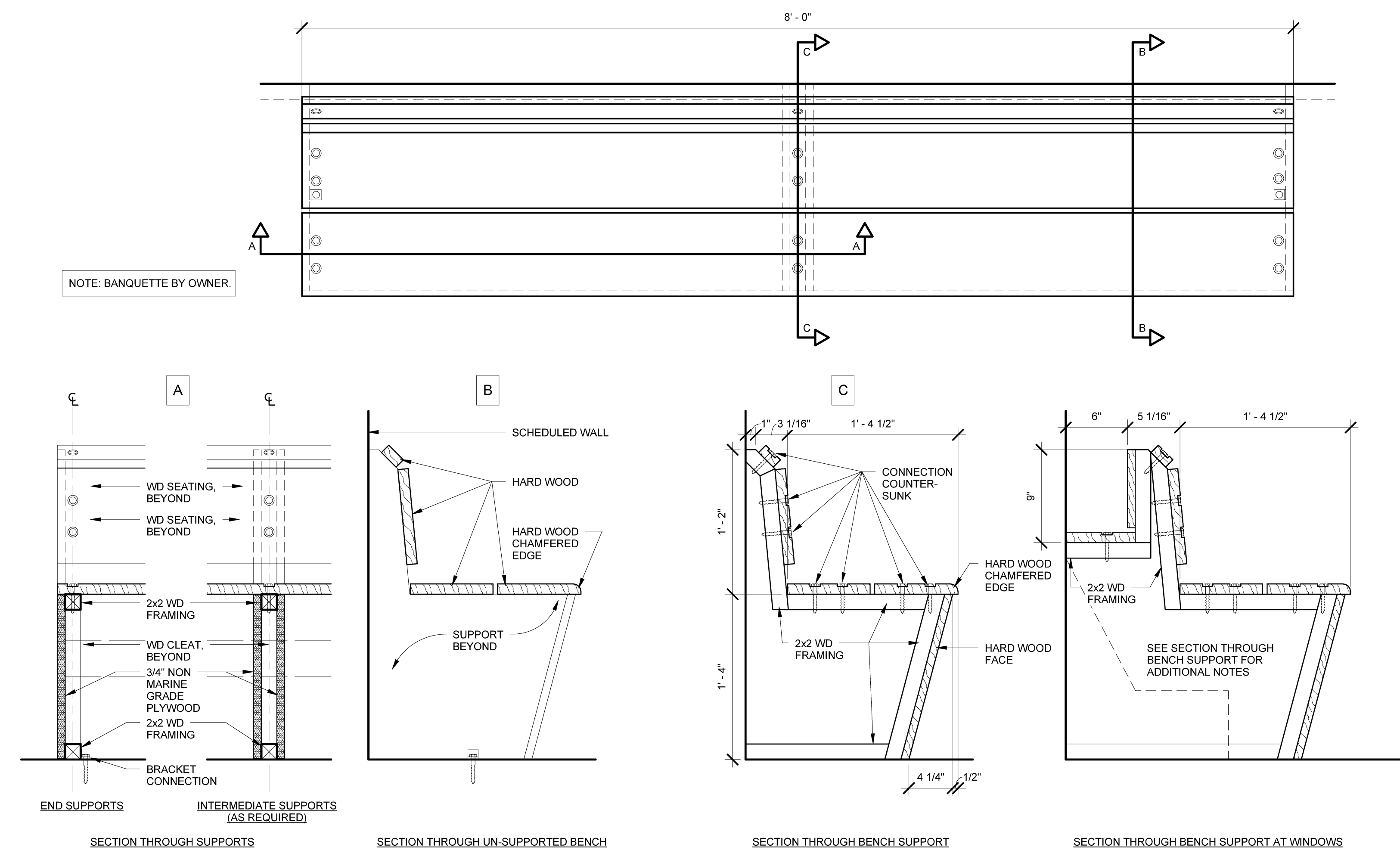


Drawing Scales	
As indicated	0 1' 2' 4'
	3/8" = 1'-0"
0 1' 2' 3'	0 6" 1' 1'-6"
	1/2" = 1'-0"
	1" = 1'-0"
0 4" 8" 1'	0 2" 4" 6"
	1 1/2" = 1'-0"
	3" = 1'-0"

PA/PE: RBB © 2013
Drawn By: CMP Harriman Associates

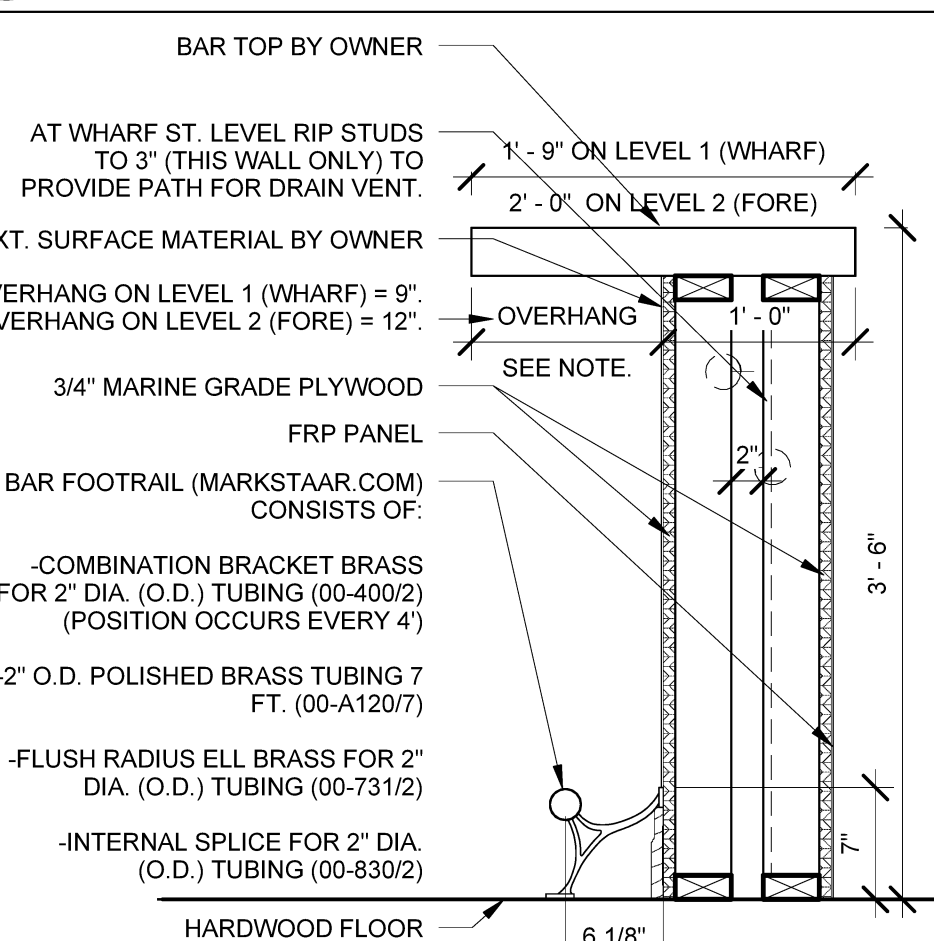
STANDARD INTERIOR DETAILS

A80.1



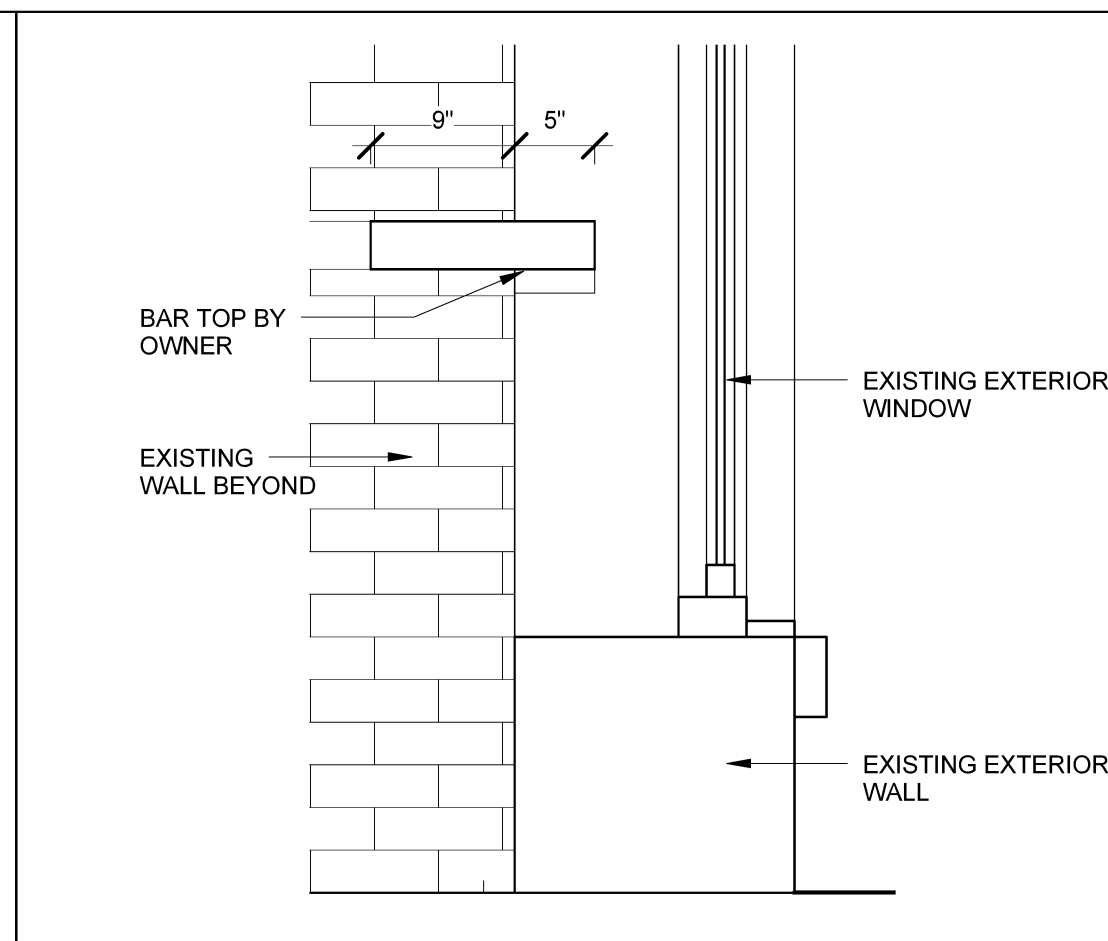
D1 BANQUETTE DETAIL

SCALE: 1 1/2" = 1'-0"



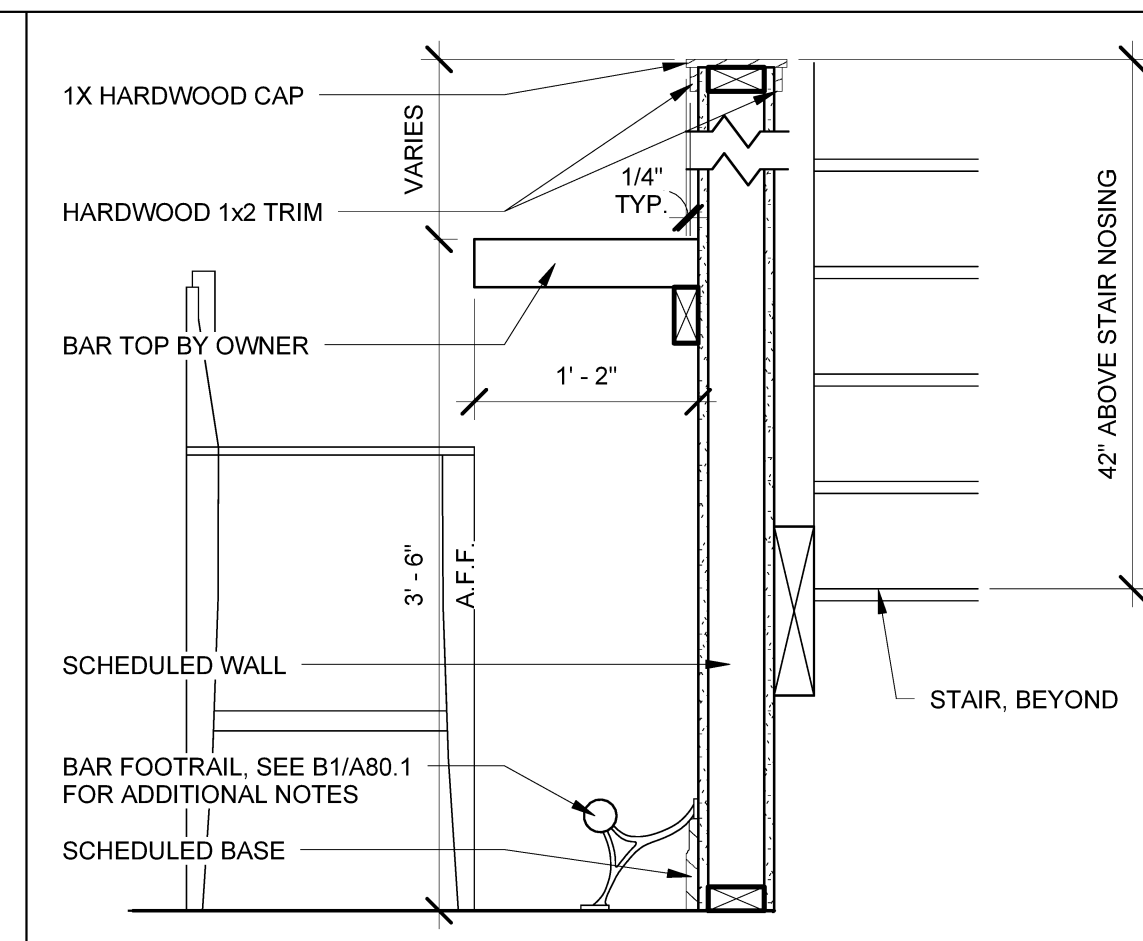
B1 TYP BAR SECTION

SCALE: 1" = 1'-0"



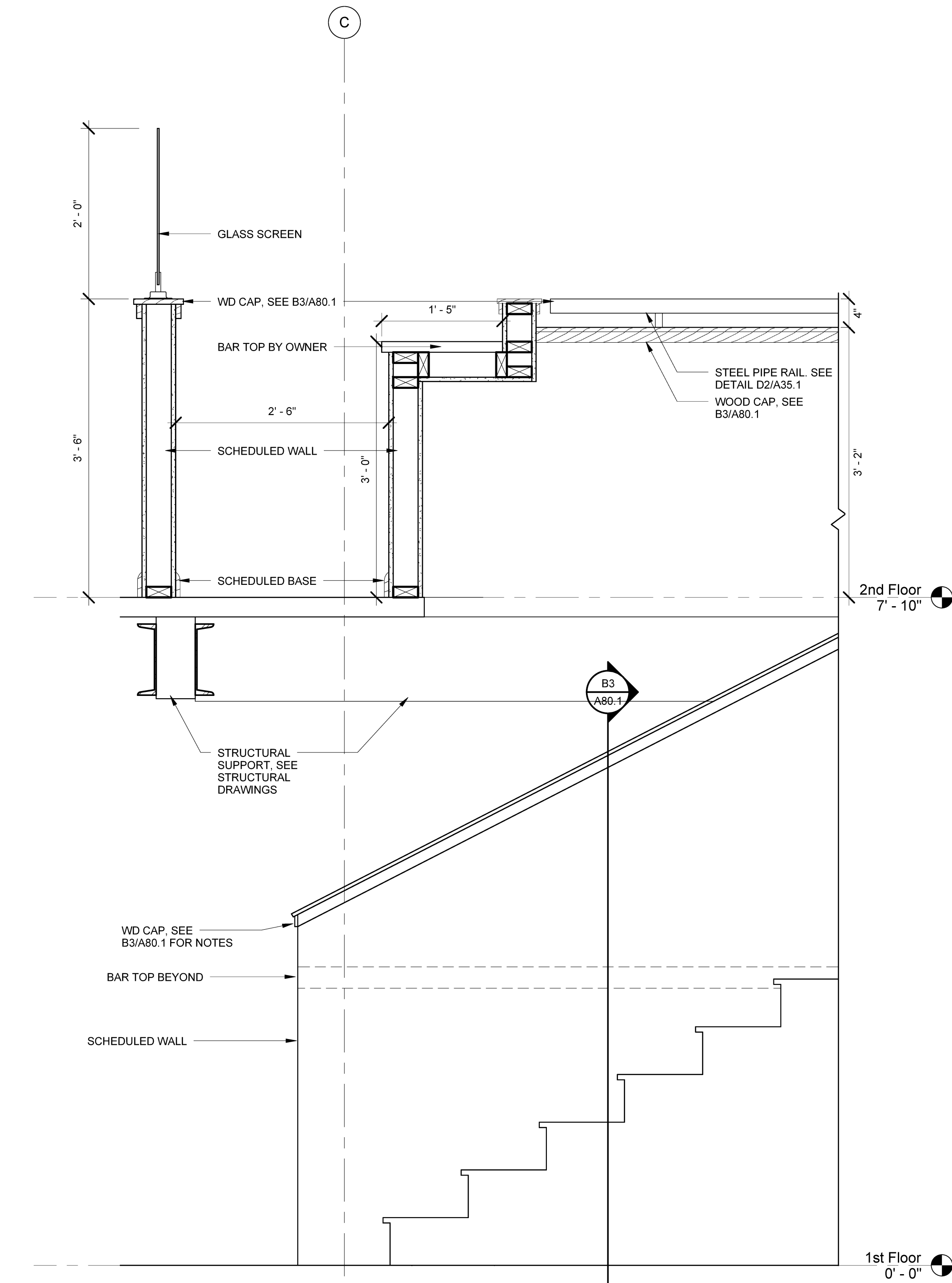
B2 BAR SECTION AT WINDOW

SCALE: 1" = 1'-0"



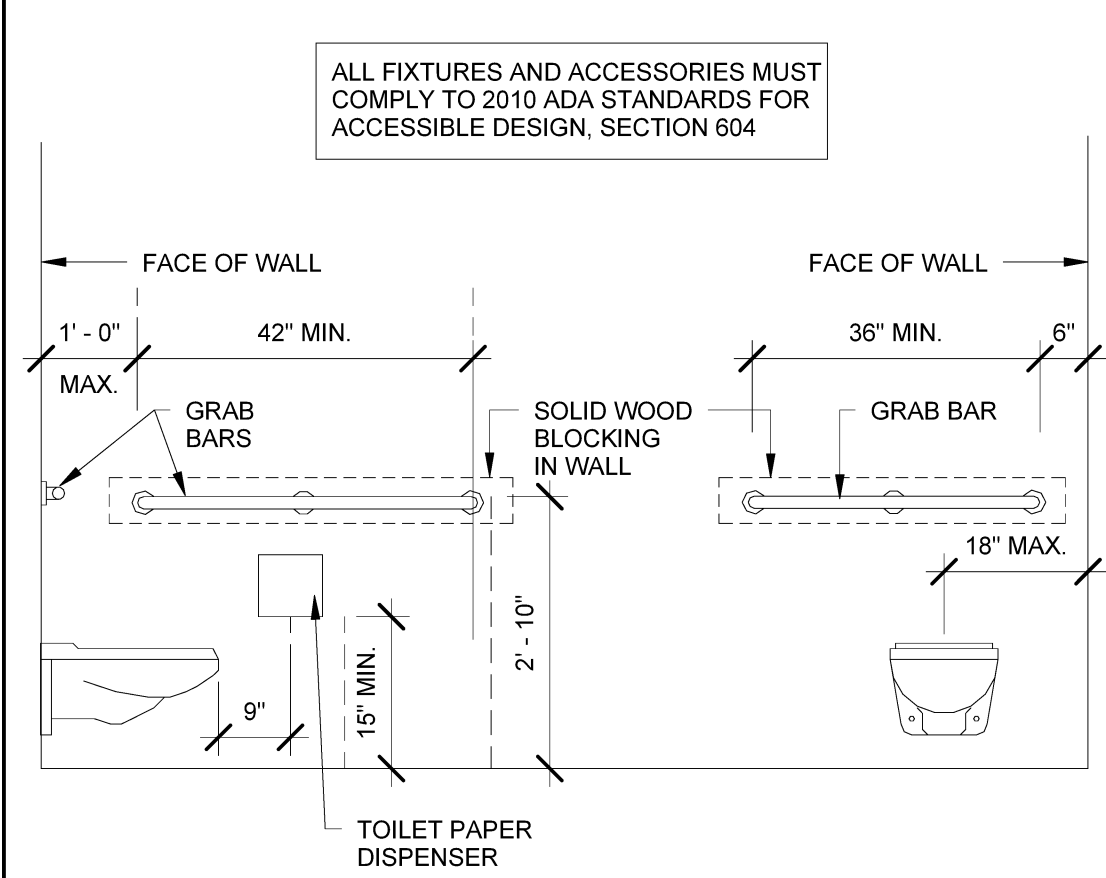
B3 BAR SECTION AT STAIR

SCALE: 1" = 1'-0"



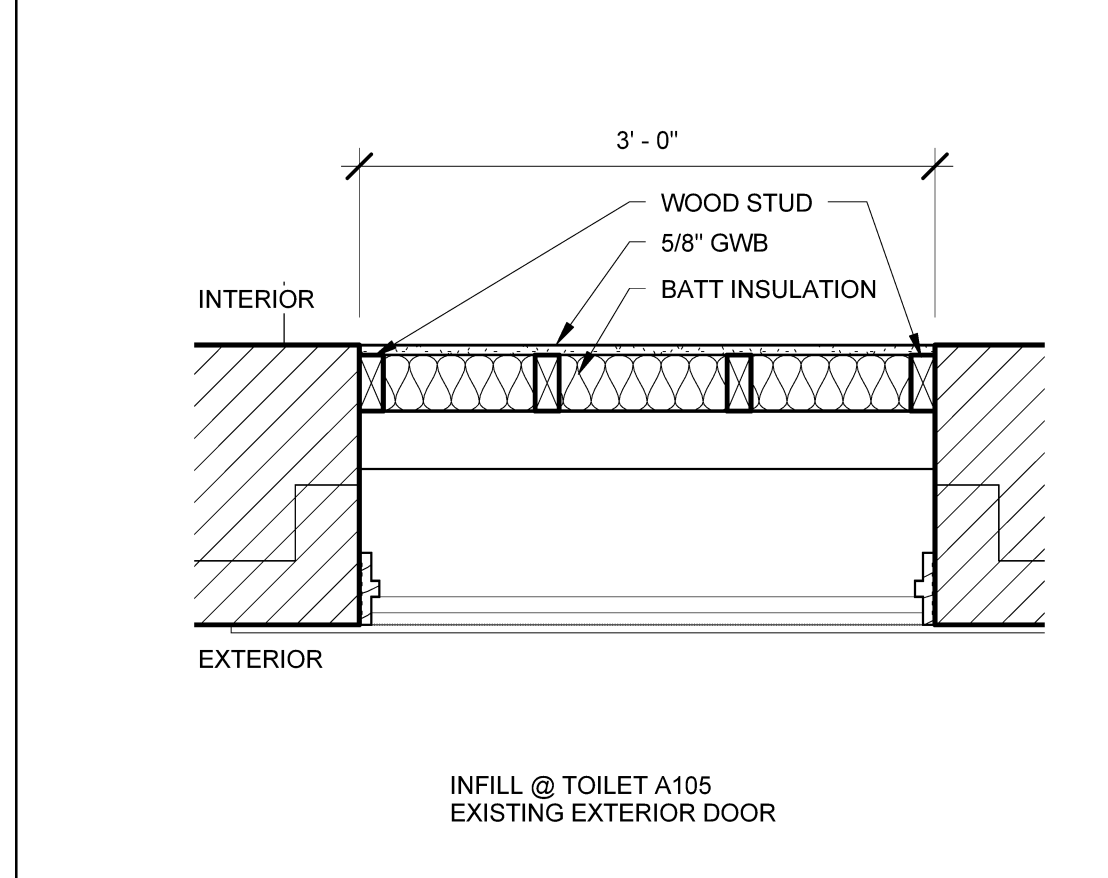
B4 SECTION

SCALE: 1" = 1'-0"



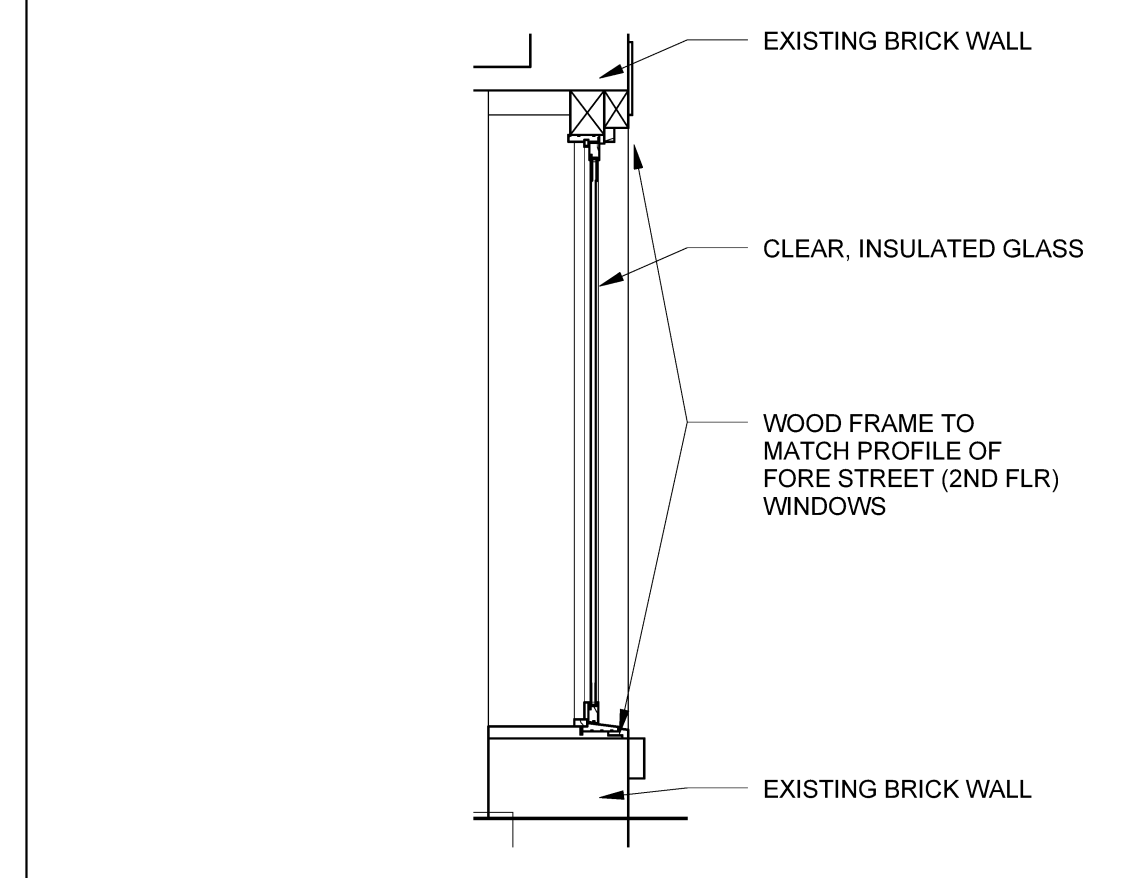
A1 TOILET ACCESSORY MOUNTING

SCALE: 1/2" = 1'-0"



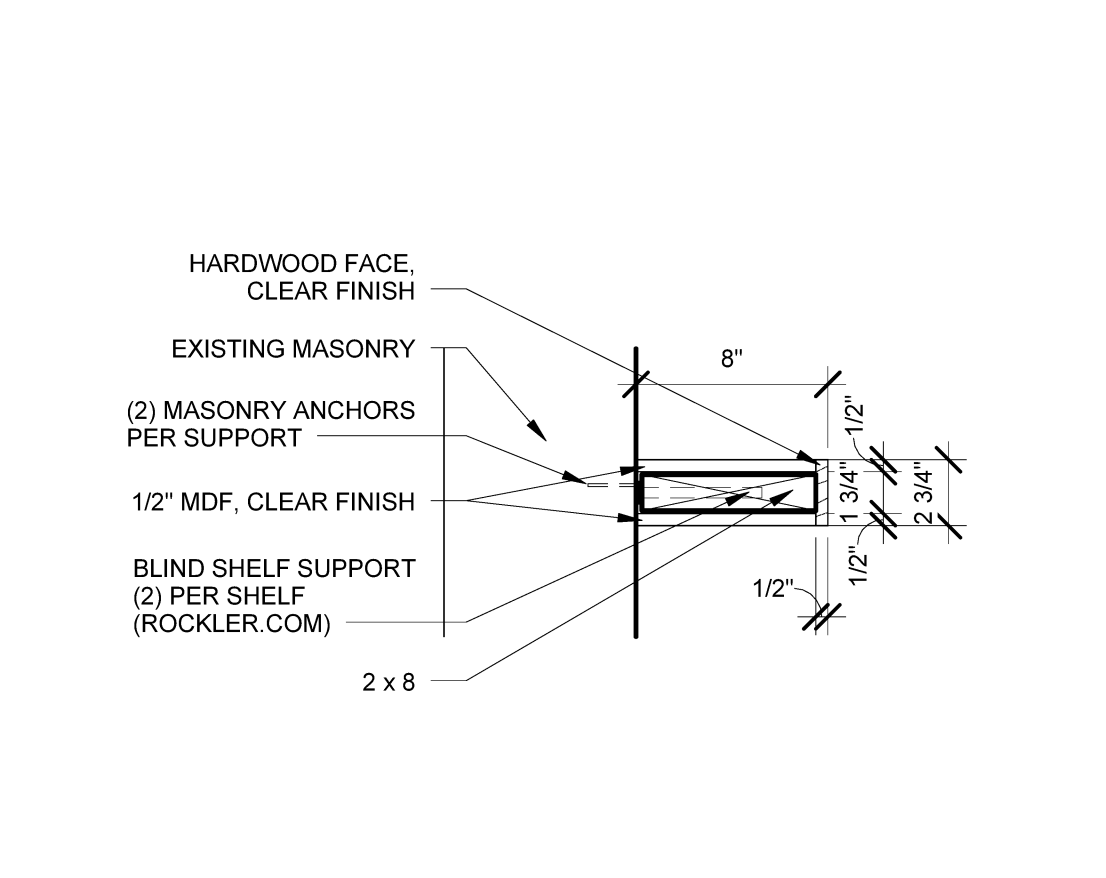
A2 EXISTING DOOR INFILL DETAIL

SCALE: 1" = 1'-0"



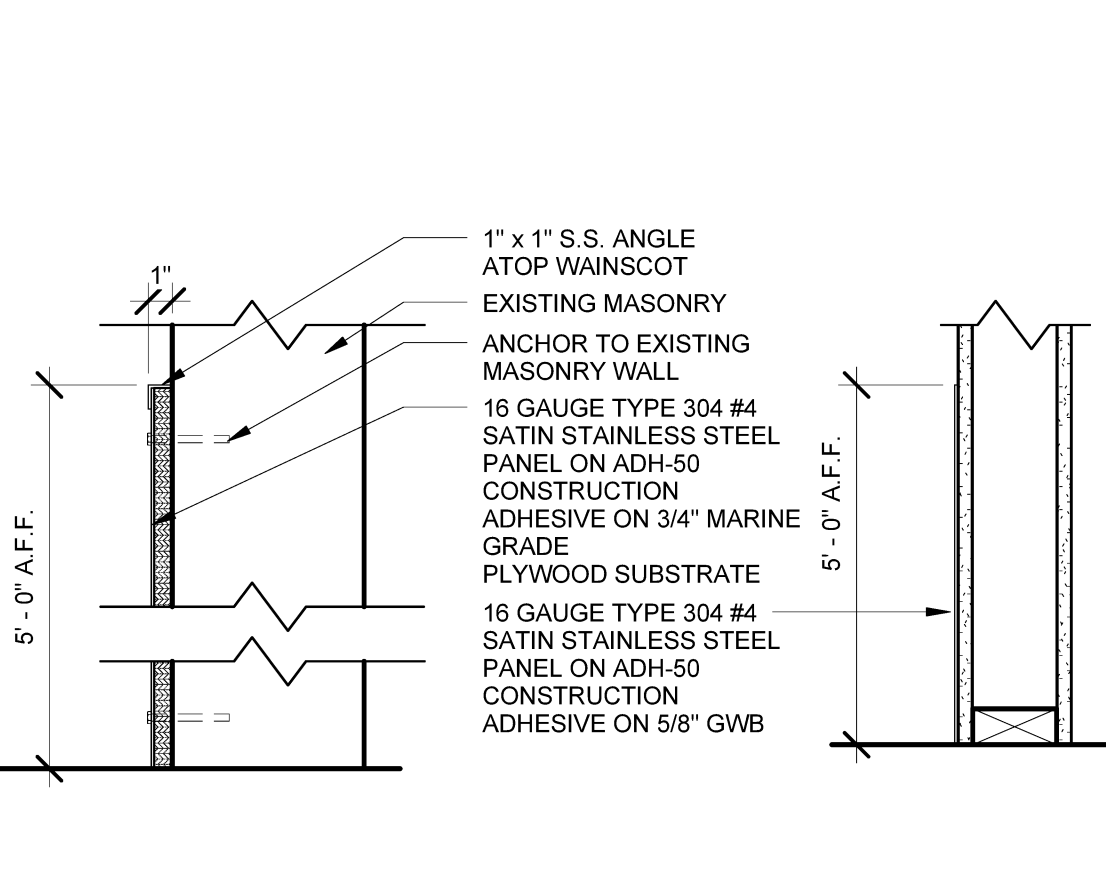
A3 FIXED WOOD FRAME

SCALE: 1/2" = 1'-0"



A4 BAR BACK WALL SHELVES

SCALE: 1 1/2" = 1'-0"



A5 STAINLESS WAINGSCOT

SCALE: 1 1/2" = 1'-0"

Plot Date: 9/23/2013 1:15:31 PM