



HARRIMAN

AUBURN PORTLAND MANCHESTER

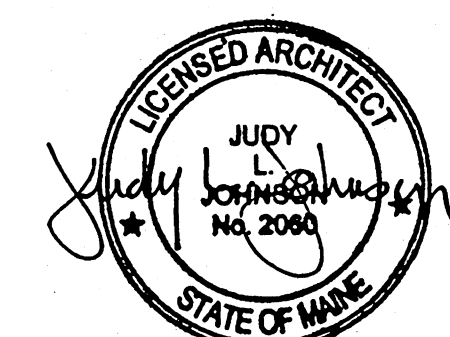
GOULD RESTAURANT

414 FORE STREET  
PORTLAND, ME 04101

Harriman Project No. 12752

Key Plan Proj North

Mark	Date	Description
	05-21-13	75% REVIEW
	05-31-13	ISSUED FOR CONSTRUCTION
	06-10-13	ISSUED FOR PERMITTING
	07-26-13	RE-ISSUED FOR CONSTRUCTION
	09-23-13	RE-ISSUED FOR CONSTRUCTION

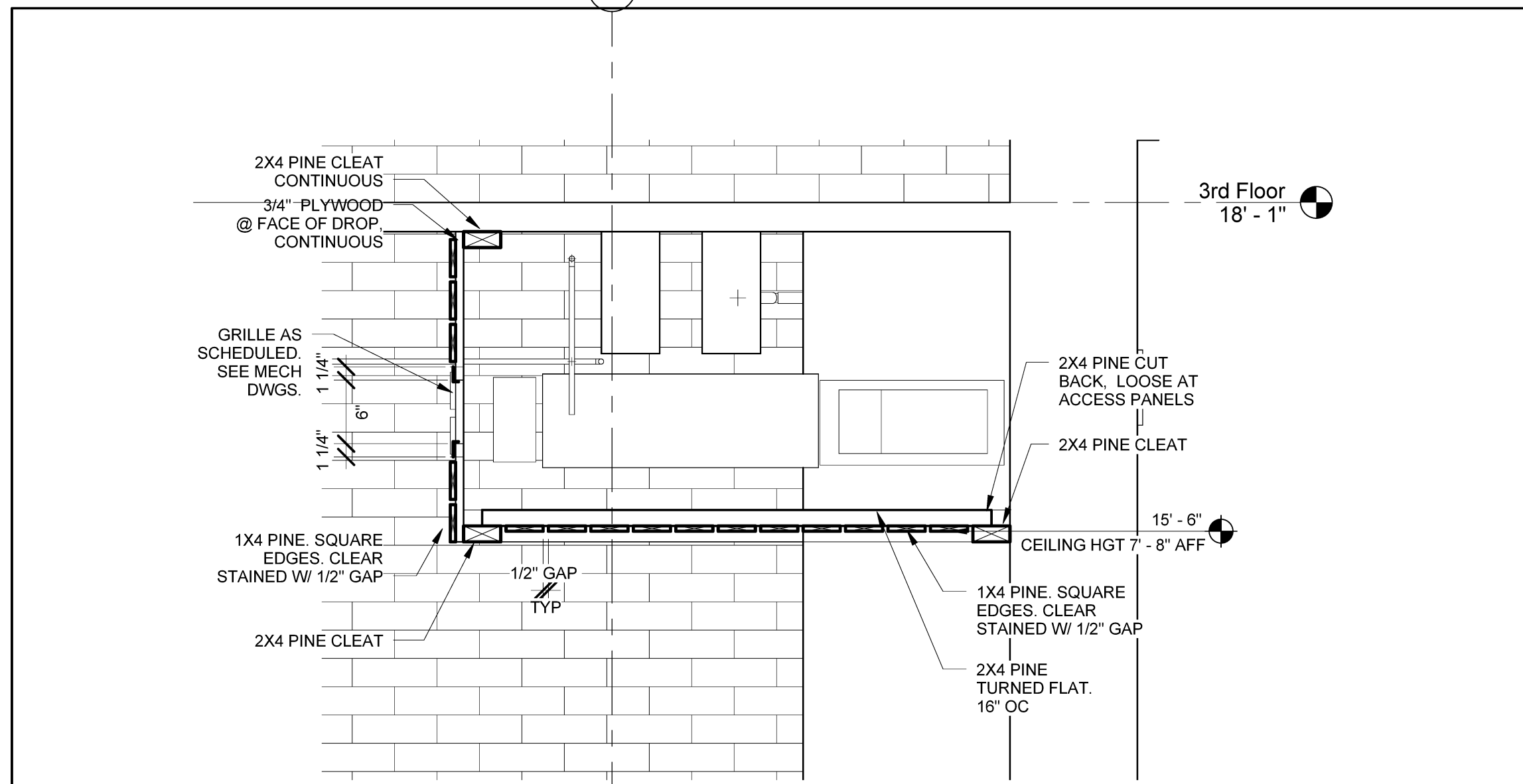


Drawing Scales	0 1 2 4'
As indicated	3/8" = 1'-0"
	0 4" 8" 1' 0 2" 4" 6"
	1 1/2" = 1'-0" 3" = 1'-0"

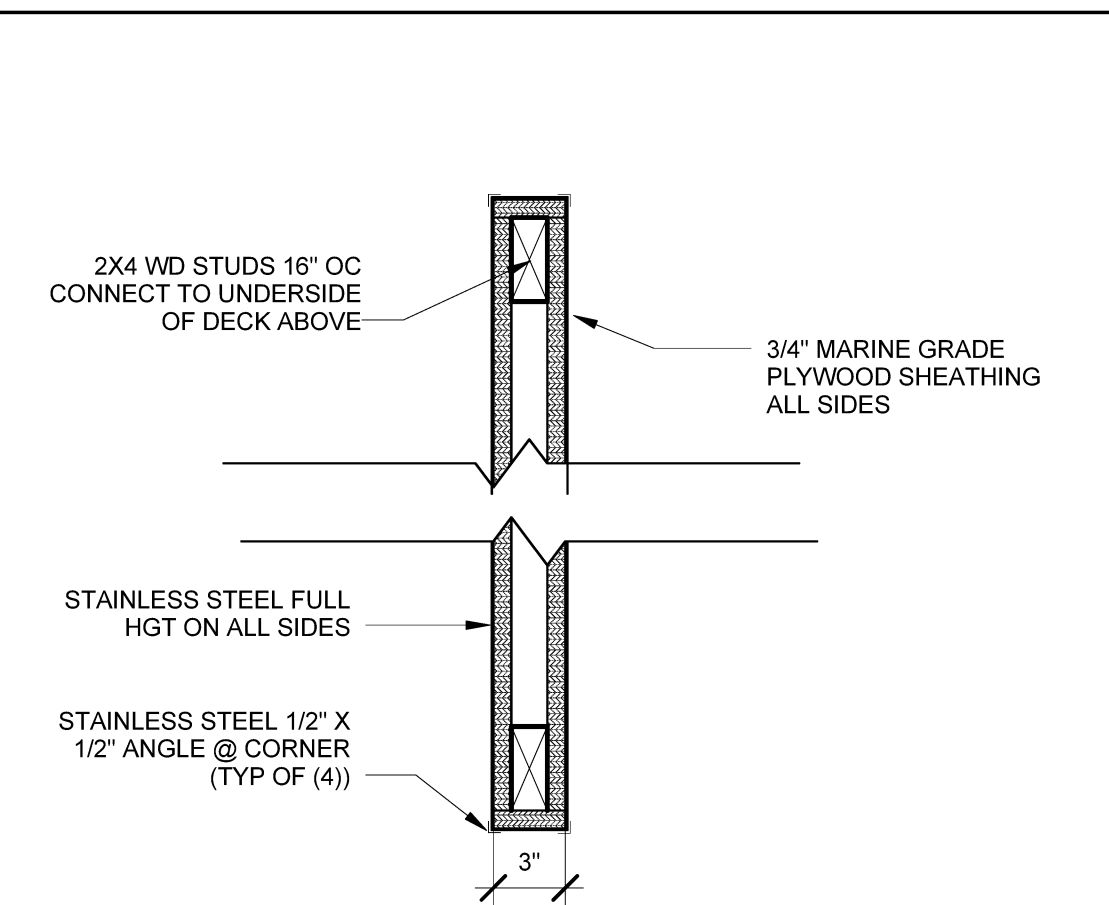
PA / PE: RBB © 2013  
Drawn By: CMP Harriman Associates

STAIR SECTIONS AND DETAILS

A35.1



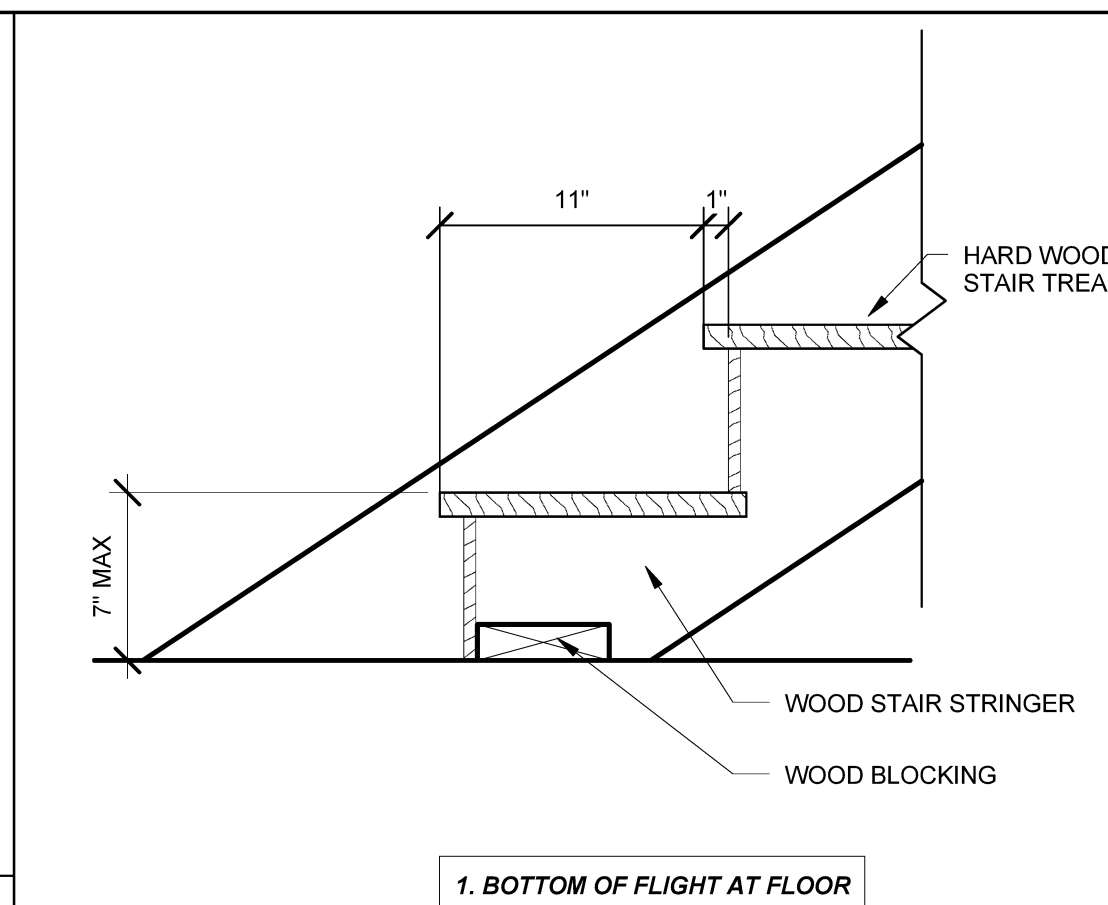
D1 HEAT PUMP SOFFIT DETAIL  
SCALE: 1" = 1'-0"



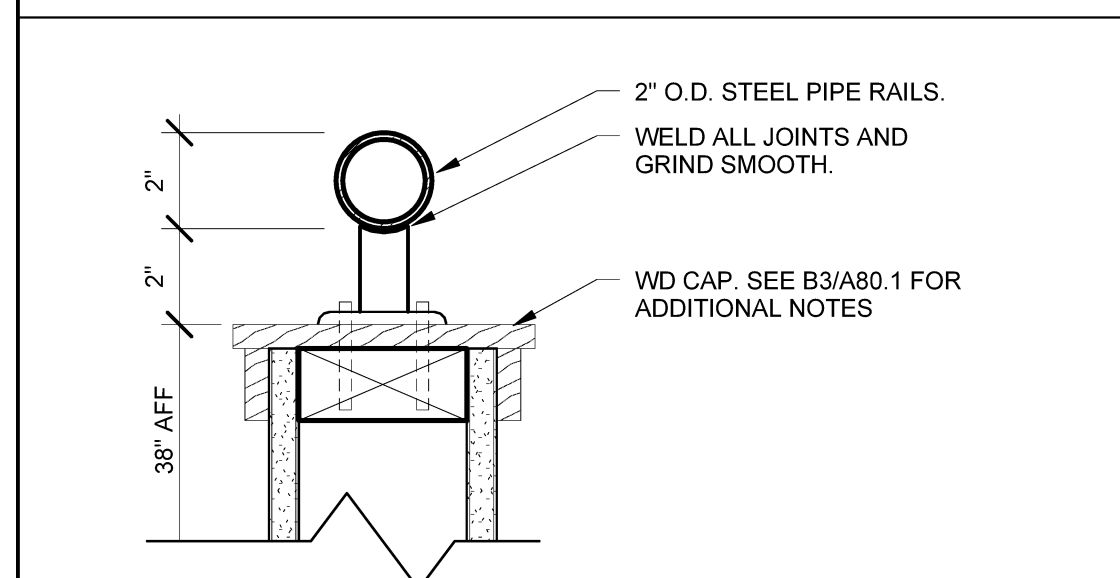
D3 DISHWASHING WALL DETAIL  
SCALE: 1 1/2" = 1'-0"



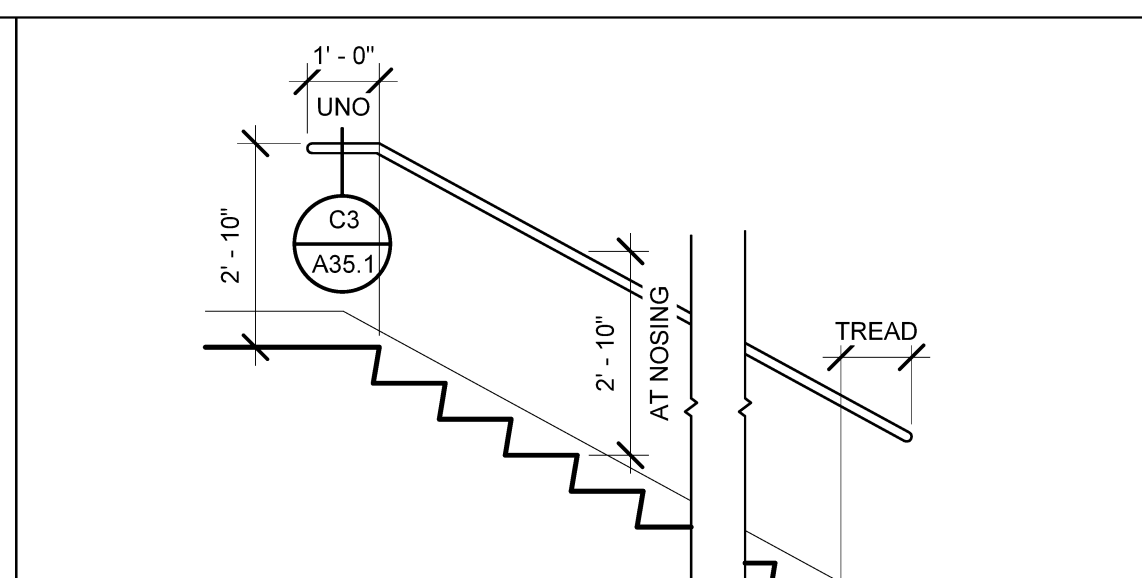
D5 STAIR DETAILS  
SCALE: 1 1/2" = 1'-0"



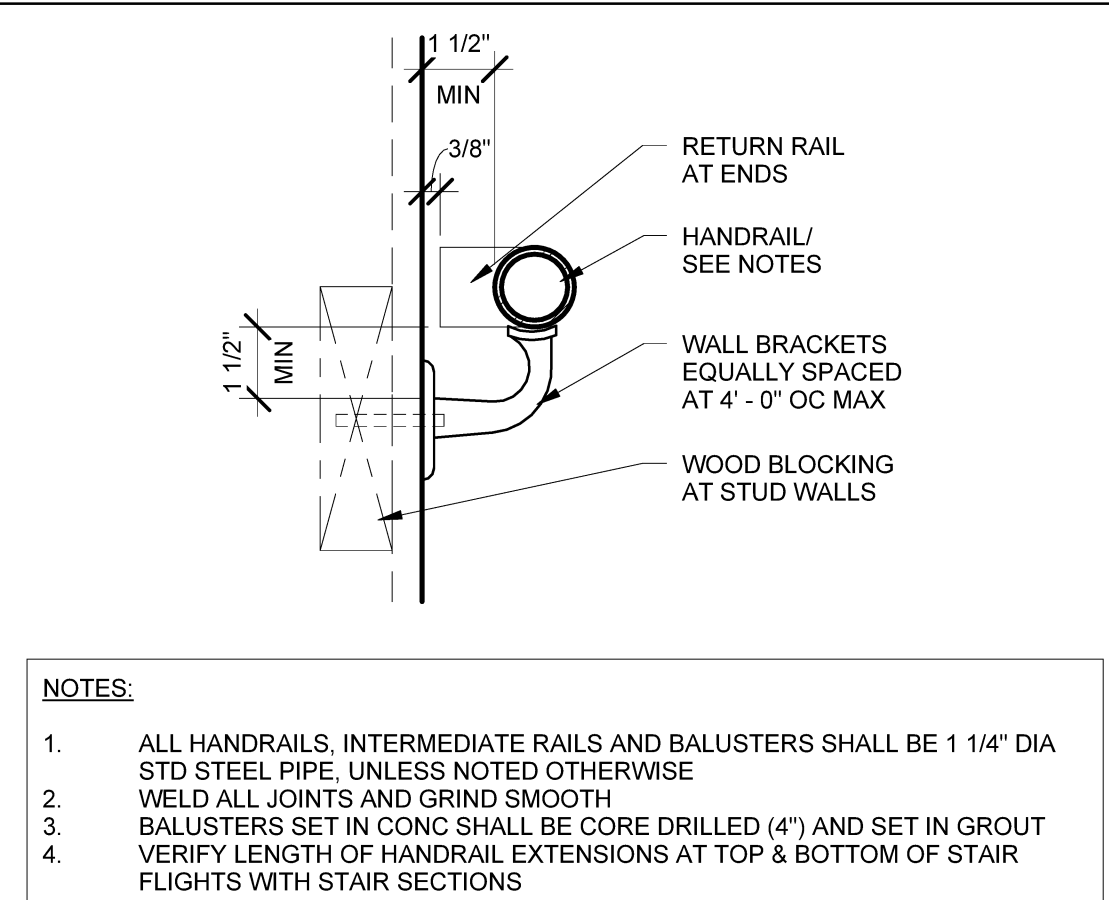
1. BOTTOM OF FLIGHT AT FLOOR



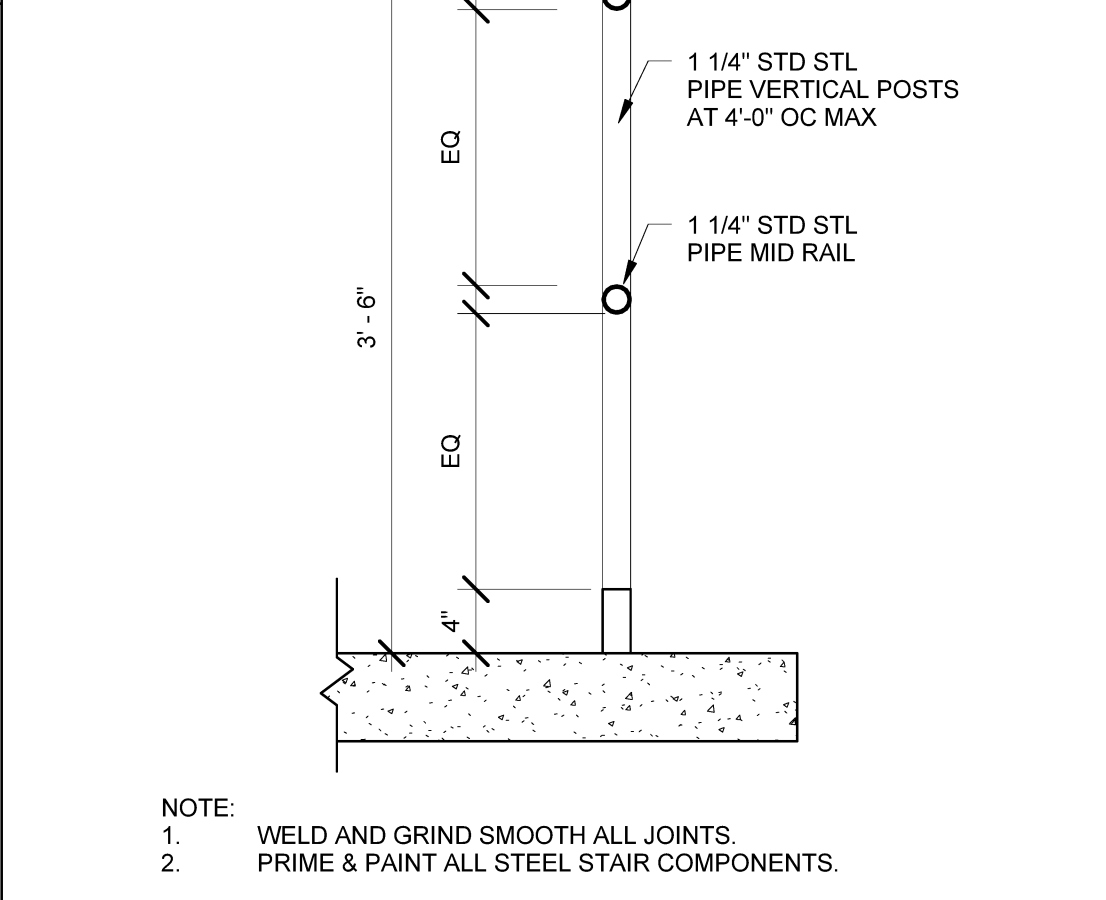
C1 WALL CAP HANDRAIL DETAIL  
SCALE: 3" = 1'-0"



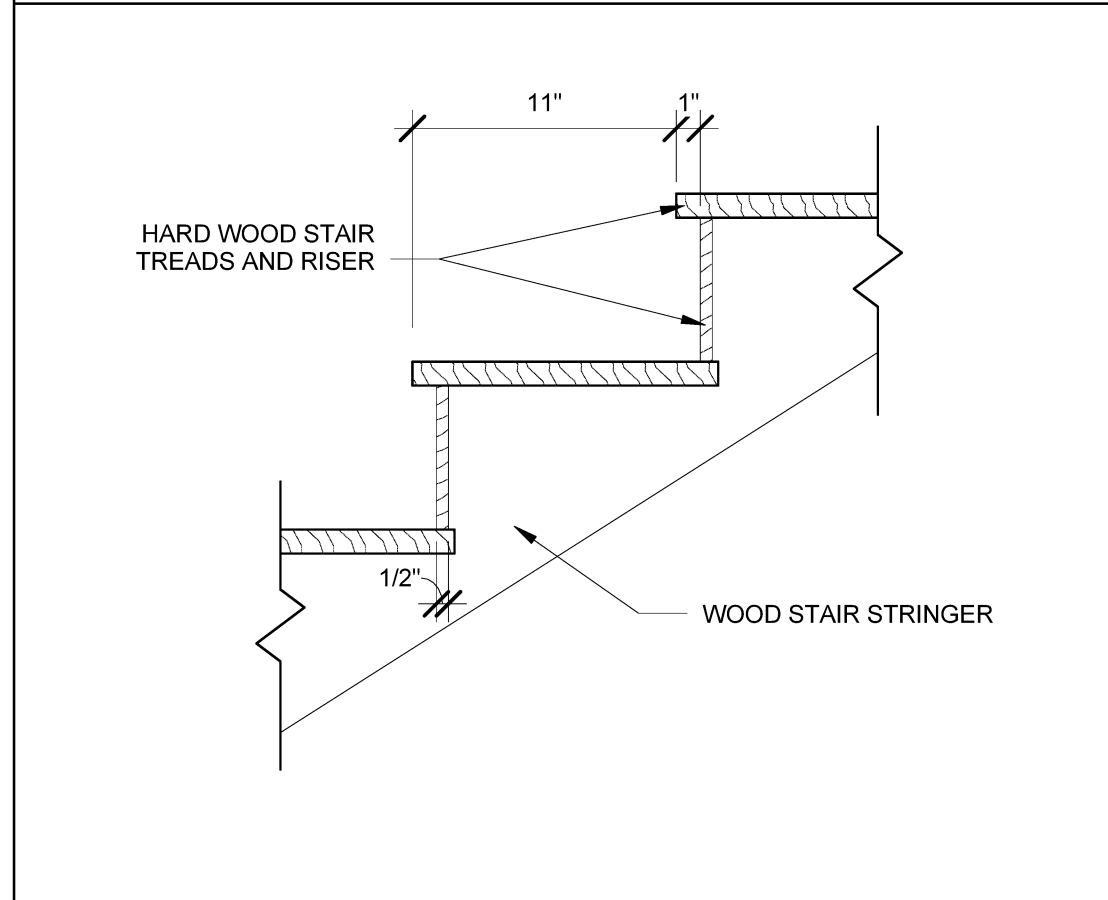
C2 TYP WALL MTD HANDRAIL  
SCALE: 3/8" = 1'-0"



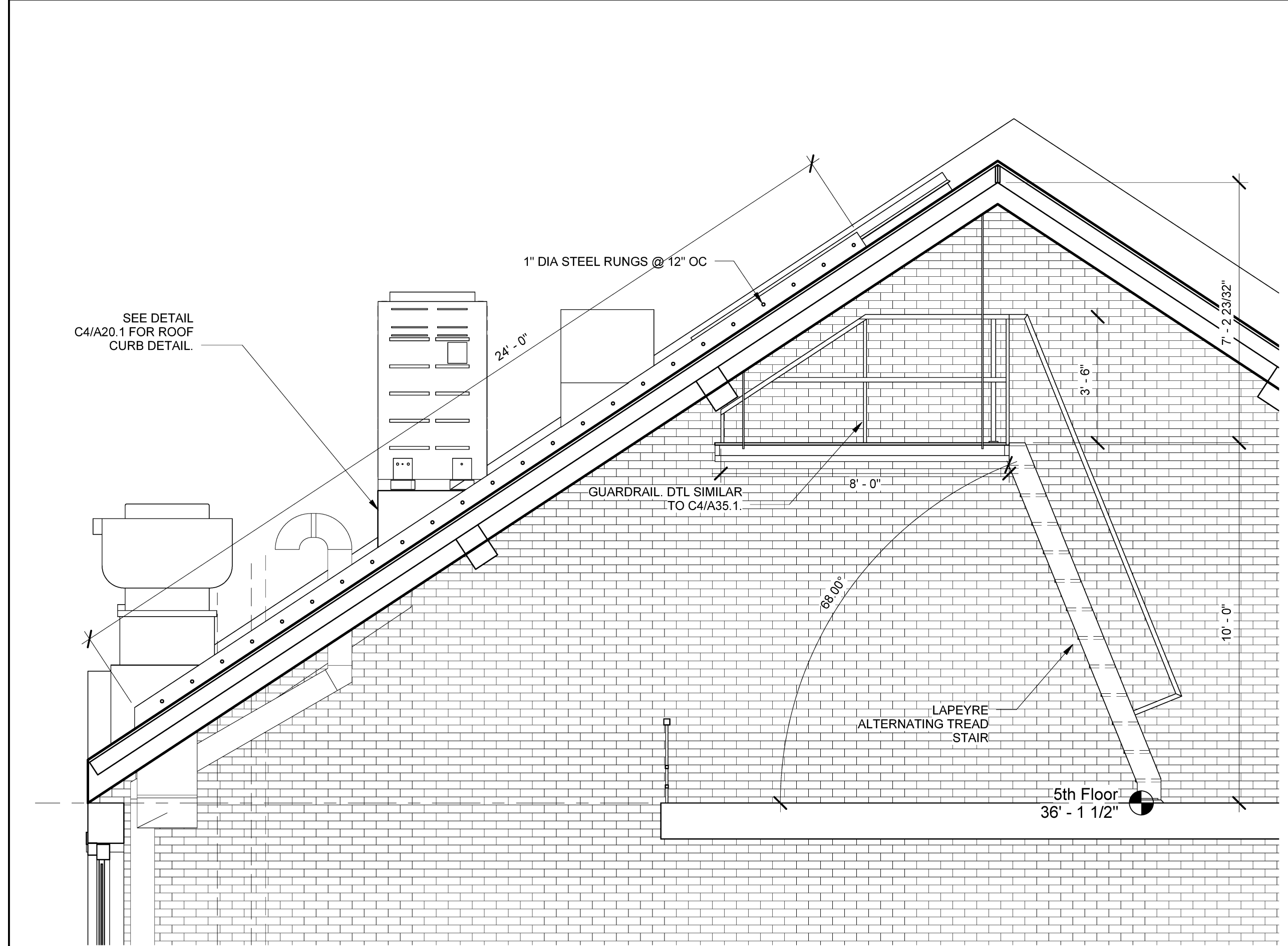
C3 TYP WALL MTD HANDRAIL DETAIL  
SCALE: 3" = 1'-0"



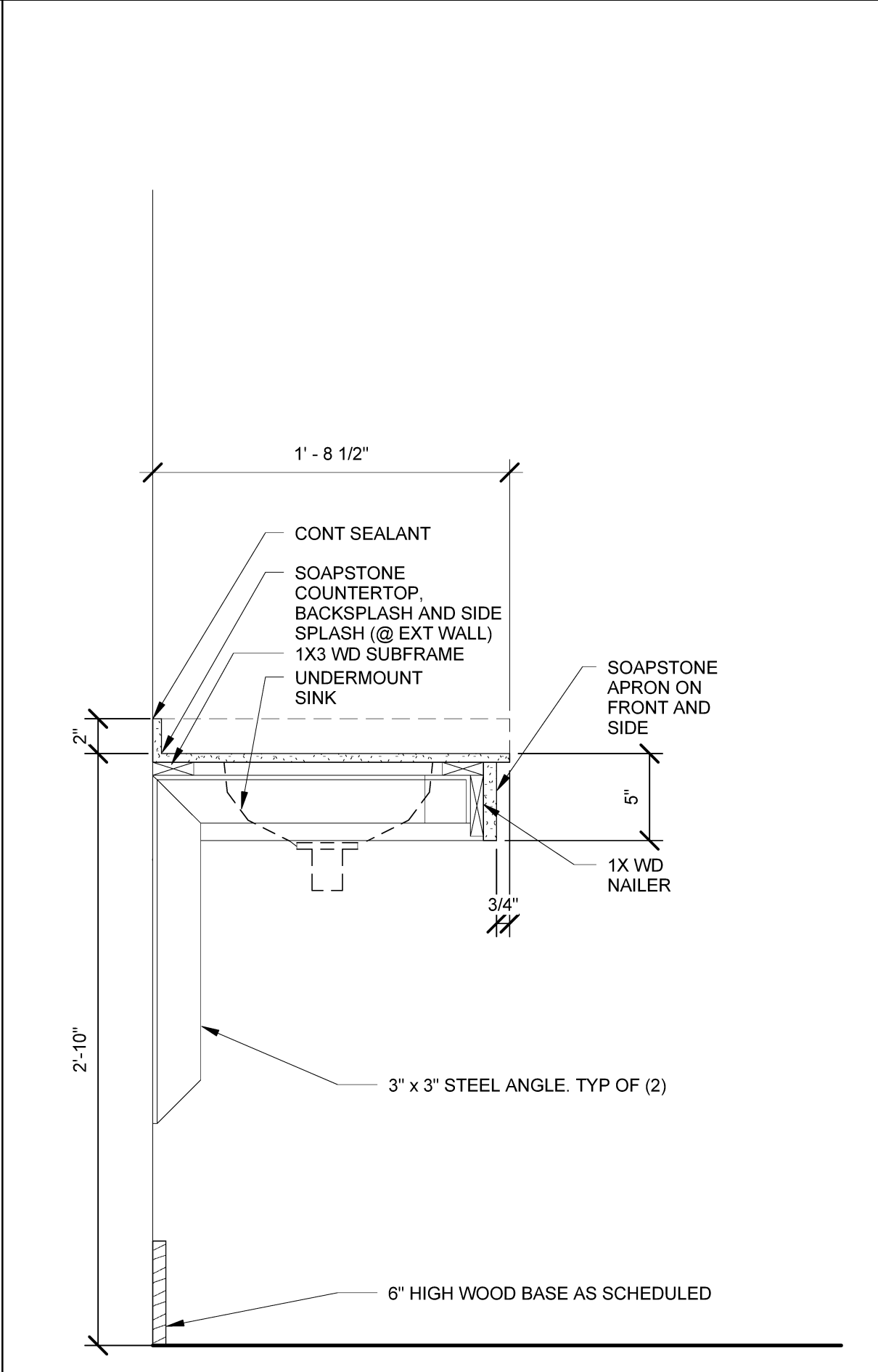
C4 TYP GUARDRAIL  
SCALE: 1" = 1'-0"



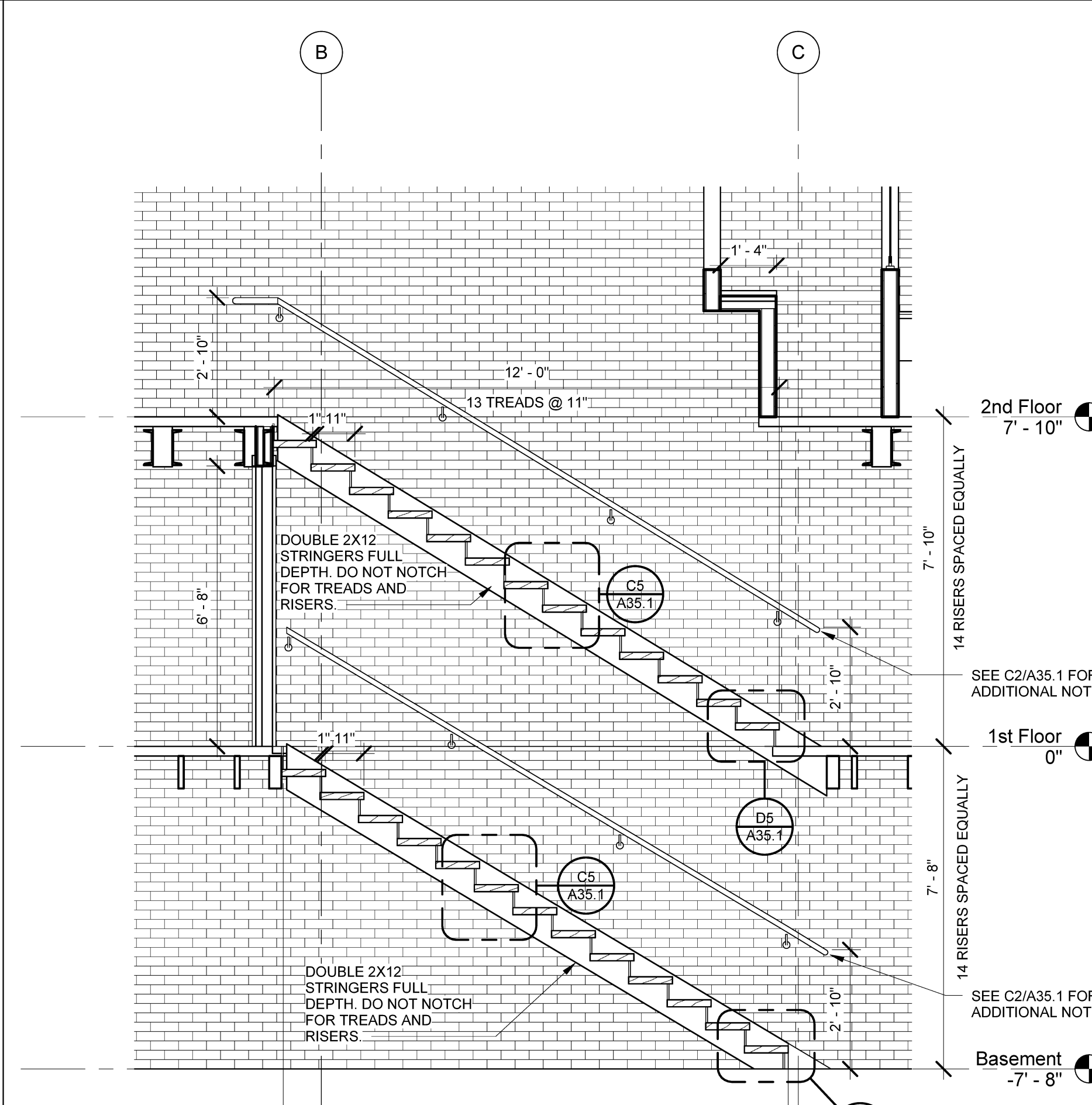
C5 STAIR ELEVATION DETAIL  
SCALE: 1 1/2" = 1'-0"



A1 Section 15  
SCALE: 3/8" = 1'-0"



A3 LAVATORY COUNTER DETAIL  
SCALE: 1 1/2" = 1'-0"



A4 STAIR SECTION  
SCALE: 3/8" = 1'-0"

Plot Date: 9/23/2013 1:14:19 PM