

HARRIMAN

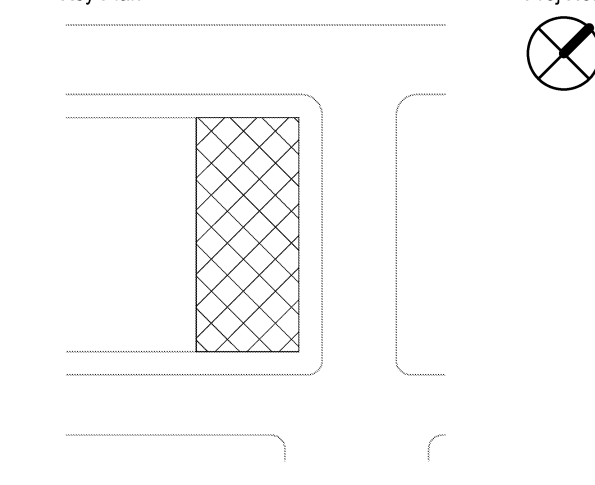
AUBURN PORTLAND MANCHESTER

GOULD RESTAURANT

414 FORE STREET
PORTLAND, ME 04101

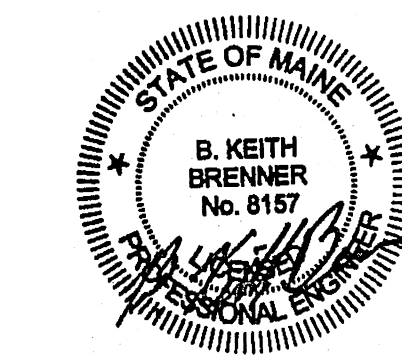
Harriman Project No. 12752

Key Plan Proj North



Issues and Revisions

Mark	Date	Description
-	05-31-13	ISSUED FOR CONSTRUCTION



Drawing Scales	0 2' 4' 6'
As indicated	1/4" = 1'-0"

0 6" 1' 2'
3/4" = 1'-0"

PA / PE: BKB	© 2013
Drawn By: MRM	Harriman Associates

FOUNDATION PLAN,
NOTES AND DETAILS

S10.1

SOIL BEARING

1. WALL AND COLUMN FOOTINGS DESIGNED FOR AN ASSUMED SOIL BEARING OF 2000 PSF
2. IF ADEQUATE SOIL BEARING IS NOT ENCOUNTERED AT THE INDICATED BOTTOM OF FOOTING LOCATION, CONTRACTOR IS TO REPORT TO THE ARCHITECT BEFORE PROCEEDING WITH THAT PART OF THE WORK
3. ALL EXCAVATIONS FOR THE FOUNDATION SHALL BE APPROVED BY THE ENGINEER BEFORE PLACING ANY CONCRETE FOOTINGS.

CONCRETE

1. STRENGTH OF CONCRETE AT 28 DAYS TO BE 3000 PSI.
2. BOTTOM OF ALL FOOTINGS TO BE ON ADEQUATE SOIL BEARING.
3. ALL SLABS ON FILL TO BE 4" THICK UNLESS NOTED OTHERWISE.

CONCRETE REINFORCING

1. ALL REINFORCING STEEL TO BE ASTM-A615 GRADE 60, DETAILED AND FABRICATED IN ACCORDANCE WITH THE "ACI MANUAL OF STANDARD PRACTICE" (ACI-315-LATEST).

WOOD FRAMING

1. ALL WOOD MARKED SPF OR NOT MARKED ON THE DRAWINGS ARE TO HAVE THE FOLLOWING MINIMUM ALLOWABLE WORKING STRESSES:
Fv = 135 PSI HORIZONTAL SHEAR STRESS
Fb = 875 PSI BENDING STRESS SINGLE MEMEBER USE
E = 1400000 PSI MODULUS OF ELASTICITY
Fc = 1150 PSI COMPRESSION PARALLEL TO GRAIN
Fc = 425 PSI COMPRESSION PERPENDICULAR TO GRAIN
2. ALL TIMBER FRAMING SHALL BE IN ACCORDANCE WITH THE AITC TIMBER CONSTRUCTION MANUAL - LATEST EDITION, AND THE NFPA NATIONAL DESIGN SPECIFICATION FOR WOOD CONSTRUCTION (NDS) 2005 EDITION.
3. INDIVIDUAL TIMBER FRAMING SHALL BE VISUALLY GRADED, MINIMUM No1/No2 SPRUCE-PINE-FIR KLN DRIED TO 19% MAXIMUM MOISTURE CONTENT UNLESS NOTED OTHERWISE ON DRAWINGS.
4. WOOD I-JOISTS (TJI), LAMINATED VENEER LUMBER (LVL) AND PARALLEL STRAND LUMBER (PSL) SHALL BE AS SPECIFIED ON THE DRAWINGS.
5. PRESSURED TREATED LUMBER SHALL BE USED FOR SILL MEMBERS, EXTERIOR EXPOSURE, OR WHERE SHOWN ON THE DRAWINGS. TIMBER SHALL BE SOUTHERN YELLOW PINE TREATED WITH PRESERVATIVE.
6. ALL PLYWOOD SHALL BE APA PERFORMANCE RATED. PLYWOOD SHALL BE NAILED TO THE FRAMING AS FOLLOWS (U.N.O.):
ROOFS: 8d NAILS AT 6" ON EDGES AND 12" AT INTERMEDIATE SUPPORTS.
WALLS: 8d NAILS AT 6" ON EDGES AND 12" AT INTERMEDIATE SUPPORTS.
7. FLOOR SHEATHING SHALL BE 5/8" APA PERFORMANCE RATED STURD-I- FLOOR TONGUE AND GROOVE PANELS. PLYWOOD SHALL BE BLUED/SCREWED TO FLOOR FRAMING AT 8" O.C.
8. ALL BUILT-UP BEAMS AND COLUMNS SHALL BE NAILED AS FOLLOWS (MIN.):
BEAMS: (2) 10d NAILS AT 12" O.C. IN EACH PIECE.
COLUMNS: 10d NAILS AT 12" O.C.
9. JOIST HANGERS, BEAM HANGERS, POST BASES AND CAP PLATES SHALL BE AS INDICATED ON THE DRAWINGS AND MANUFACTURED BY SIMPSON COMPANY. REFER TO MANUFACTURER'S LITERATURE FOR PROPER HANDLING AND INSTALLATION GUIDELINES.

MISCELLANEOUS

1. CONTRACTOR SHALL VERIFY ALL DIMENSIONS AND EXISTING CONDITIONS BEFORE PROCEEDING WITH THE WORK
2. CONTRACTOR SHALL REPORT ANY VARIATIONS FOUND AT THE SITE BEFORE PROCEEDING WITH THAT PART OF THE WORK.

DESIGN INFORMATION

DESIGN CODE = 2009 IBC AND ASCE 7-05

LIVE LOADS:

RESTAURANT AND BAR = 100 PSF

SNOW LOAD:

Pg = 60 PSF

Ce = 1.0

Ct = 1.0

Is = 1.0

Pf = 42 PSF

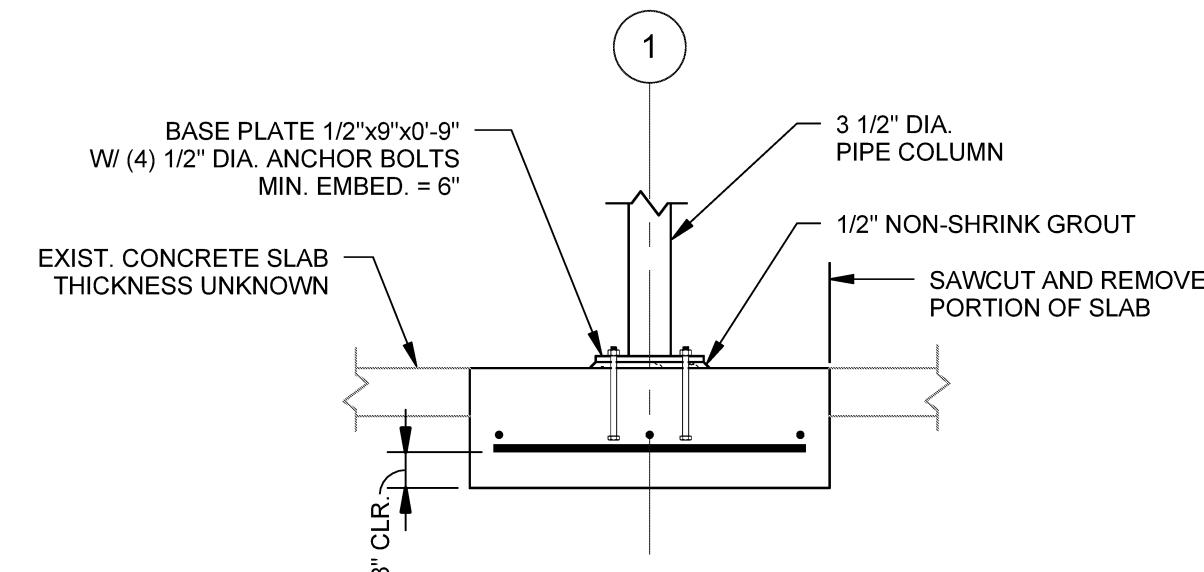
WIND LOAD:

BASIC WIND SPEED (V) = 100 MPH (3 SEC GUST)

Iw = 1.00 (CATEGORY II)

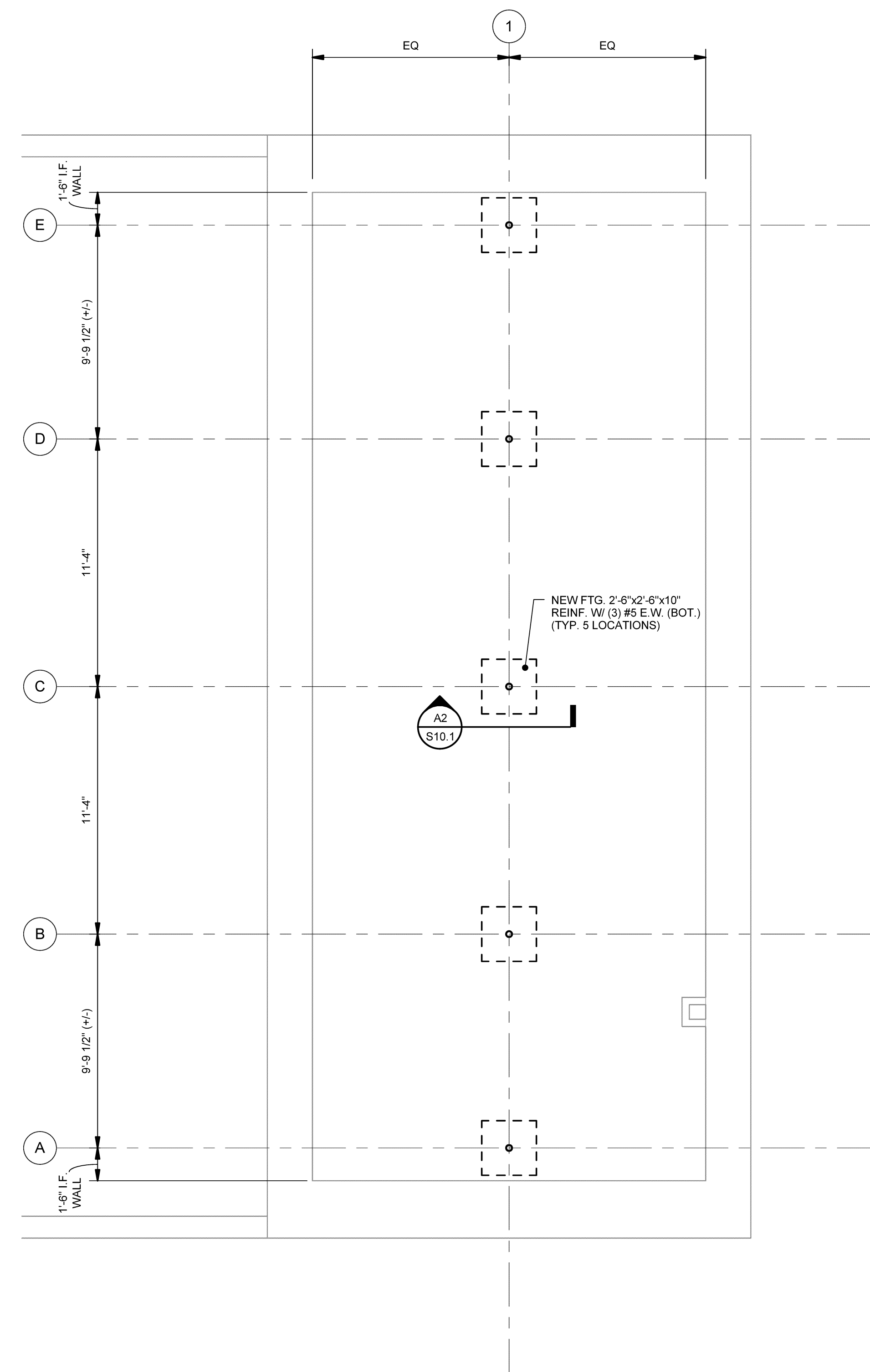
EXPOSURE CATEGORY = C

INT. PRESSURE COEF. (GCpf) = +/- 0.18



A2 SECTION AT CONCRETE FOOTING

SCALE: 3/4" = 1'-0"



A4 FOUNDATION PLAN

SCALE: 1/4" = 1'-0"

A1 GENERAL NOTES

NO SCALE