

HARRIMAN

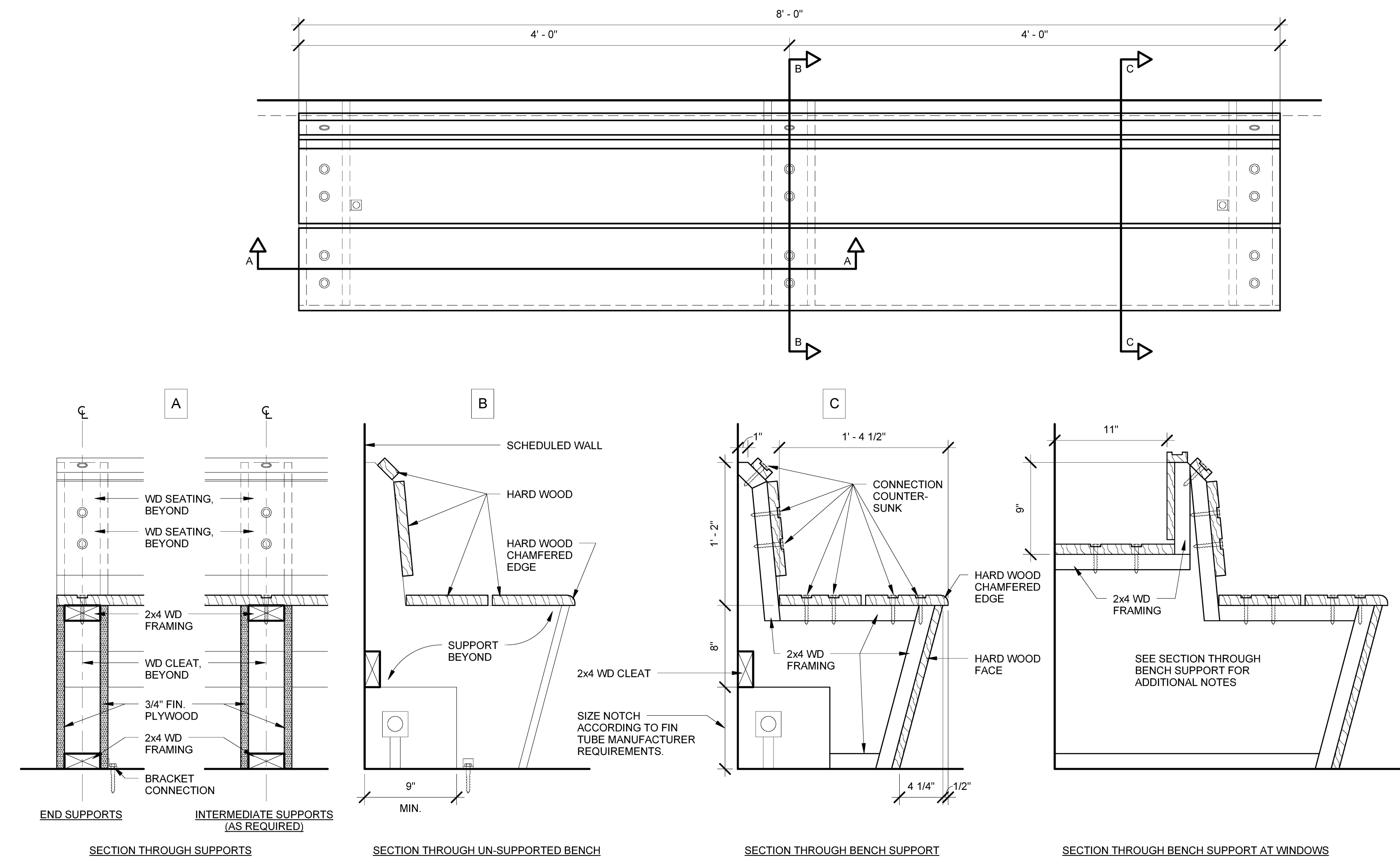
AUBURN PORTLAND MANCHESTER

GOULD RESTAURANT

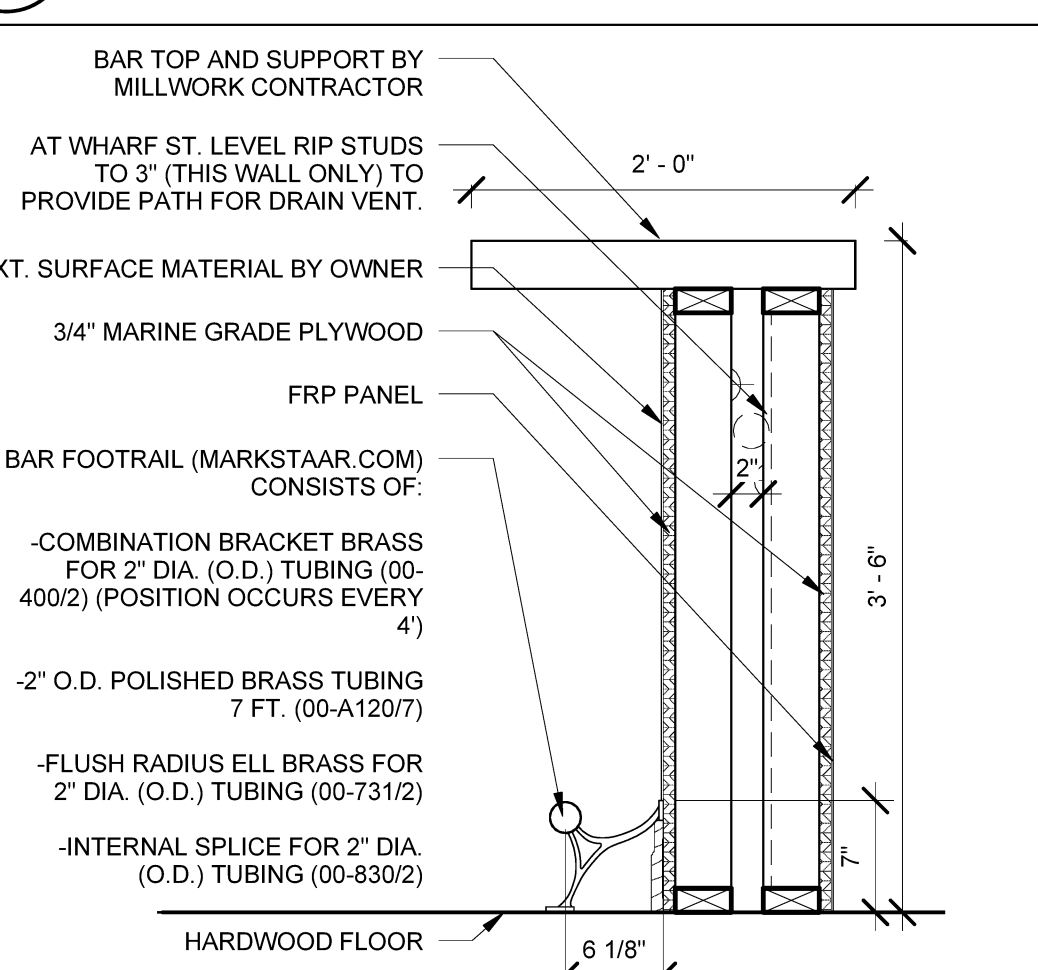
414 FORE STREET
PORTLAND, ME 04101

Harriman Project No. 12752

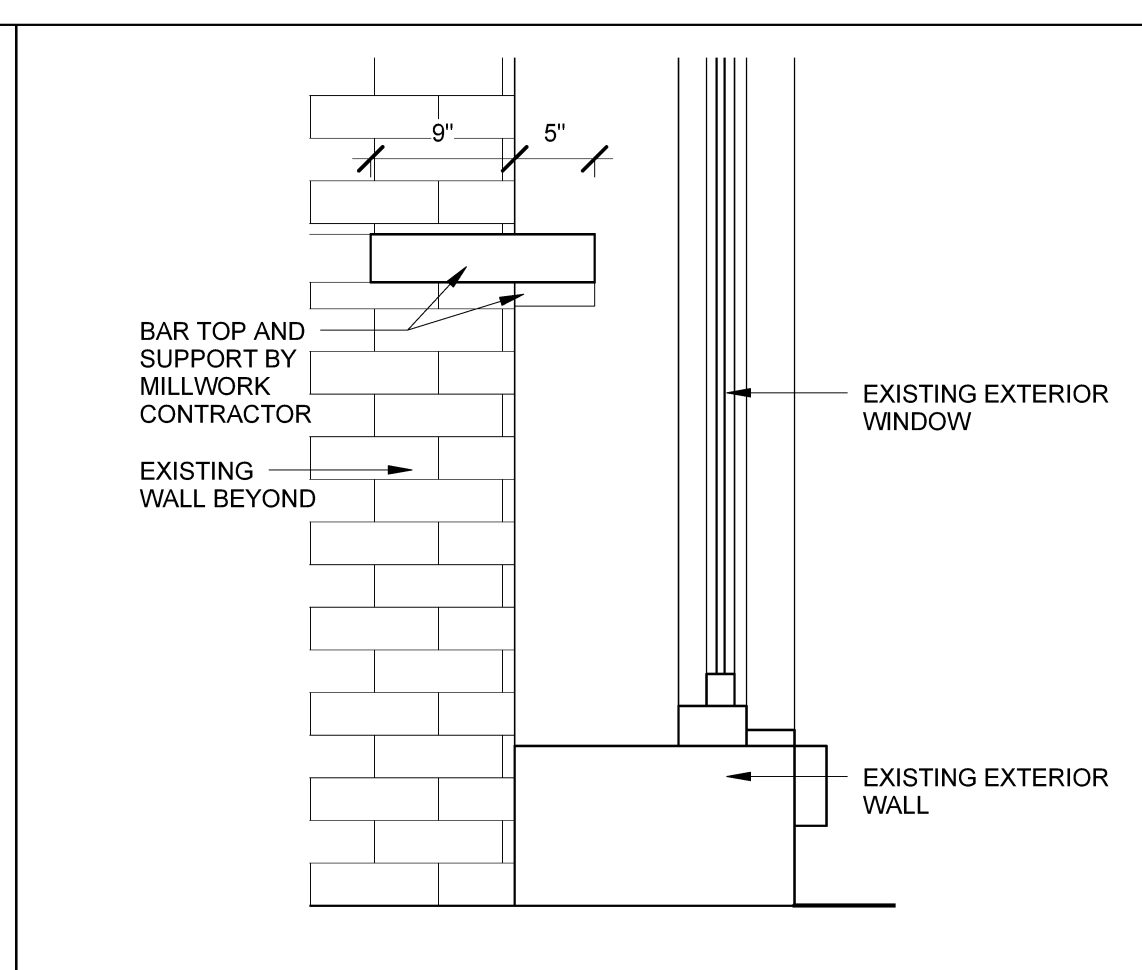
Key Plan Proj North



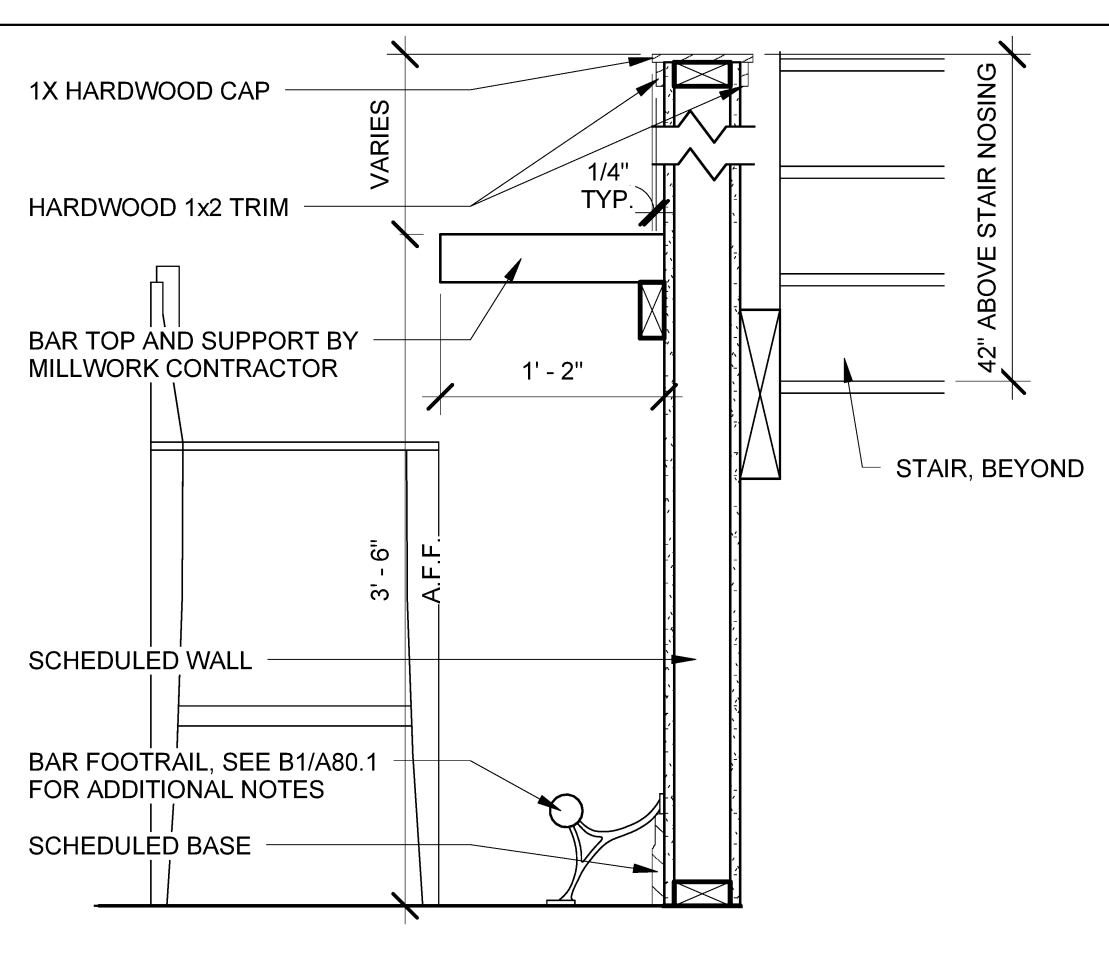
D1 BANQUETTE DETAIL
SCALE: 1 1/2" = 1'-0"



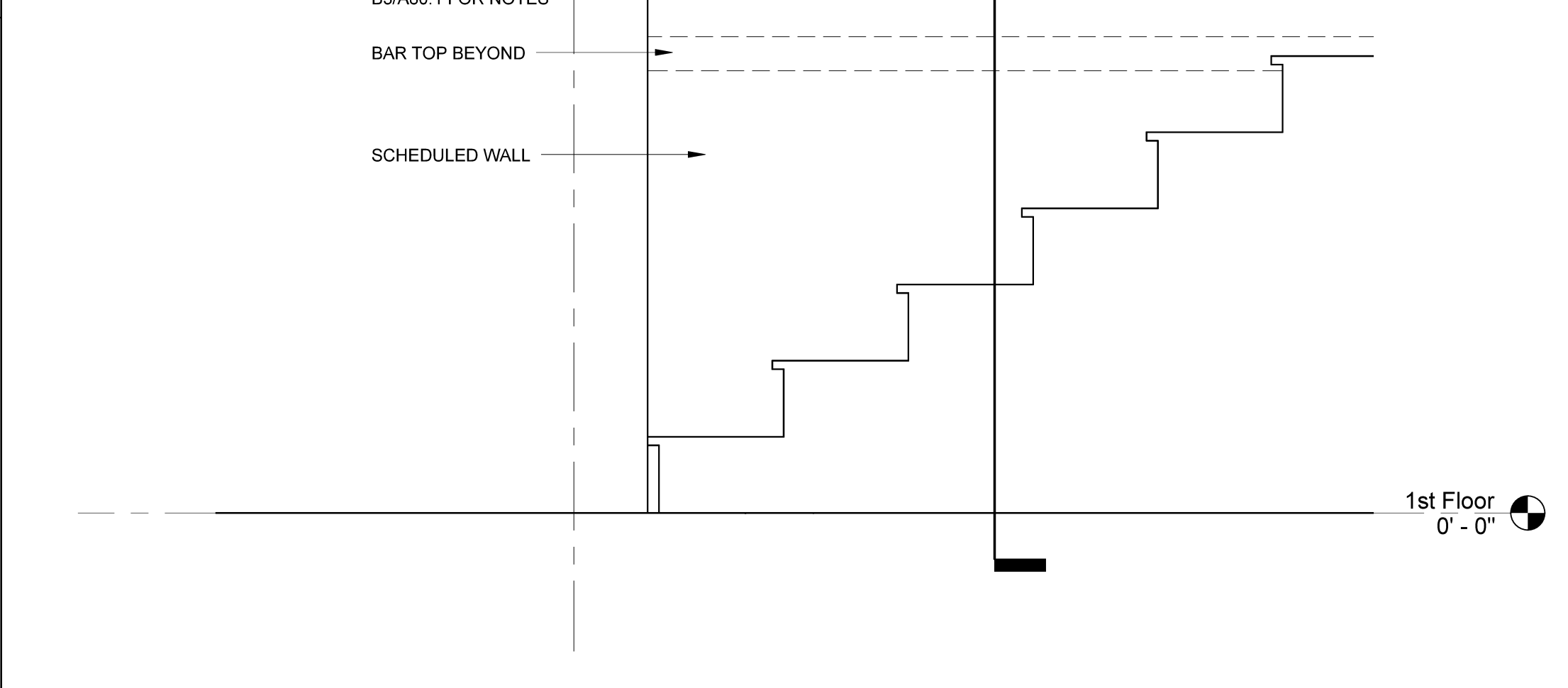
B1 TYP BAR SECTION
SCALE: 1" = 1'-0"



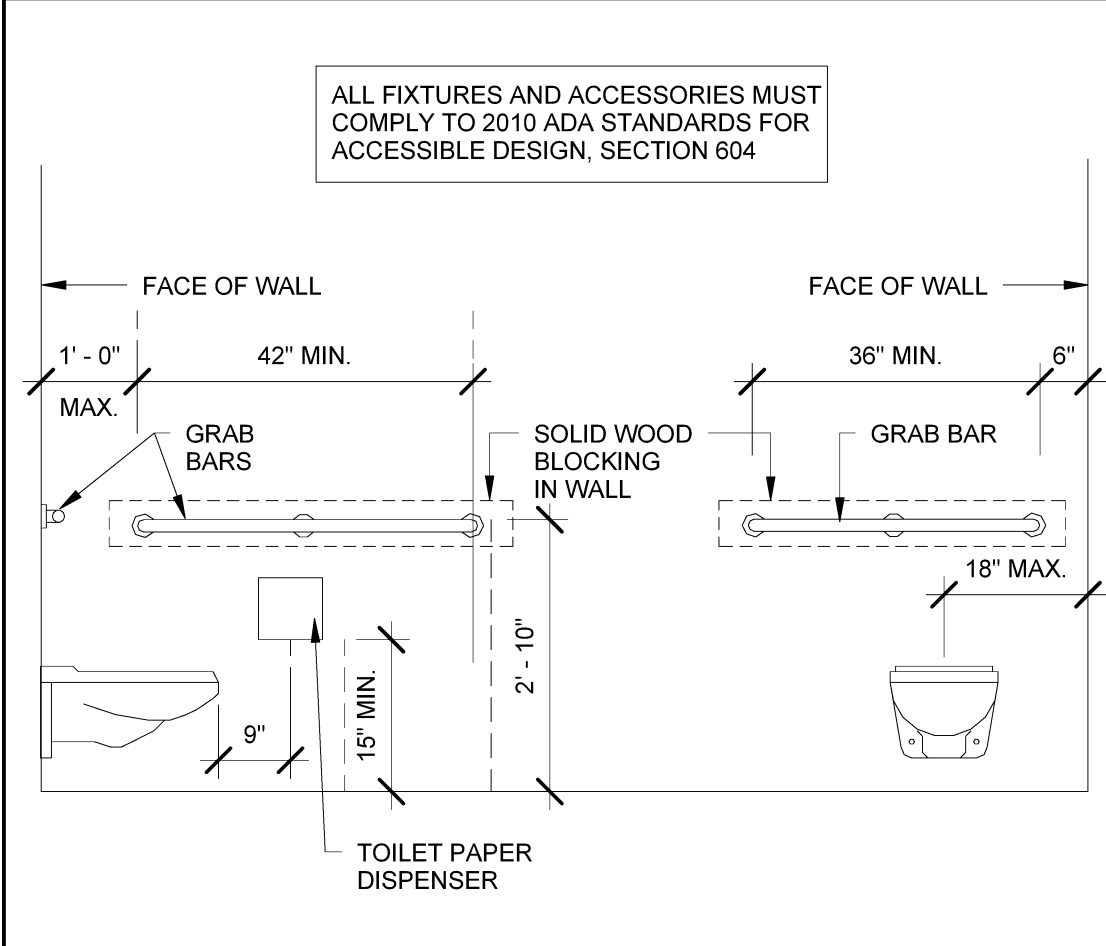
B2 BAR SECTION AT WINDOW
SCALE: 1" = 1'-0"



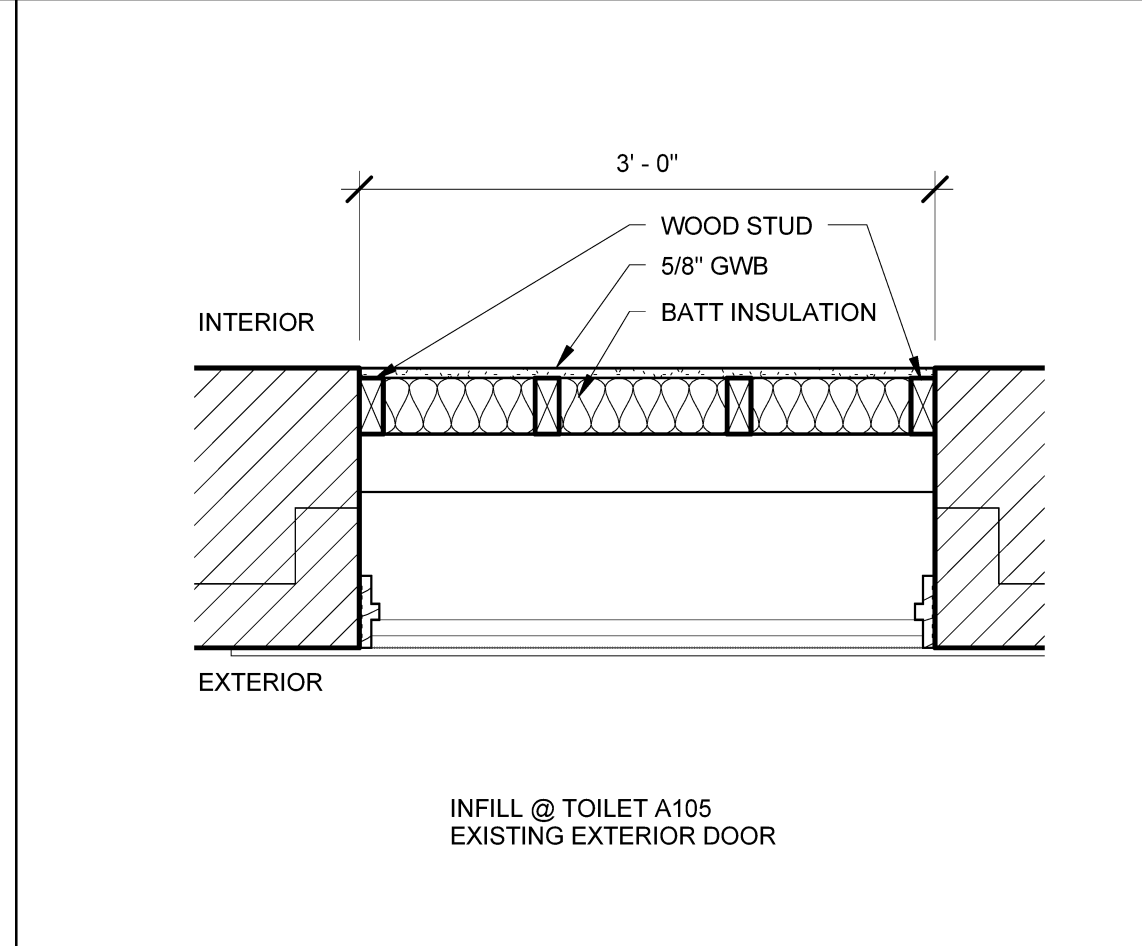
B3 BAR SECTION AT STAIR
SCALE: 1" = 1'-0"



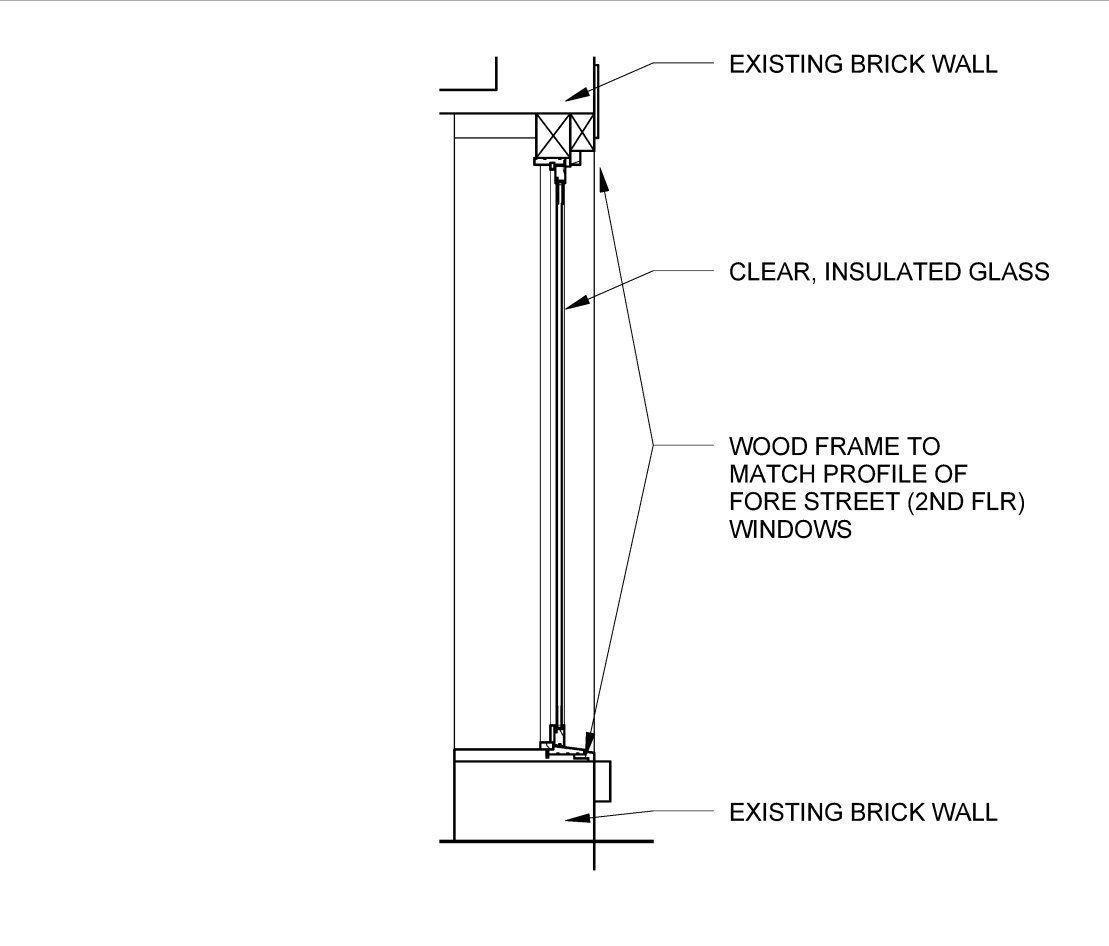
B4 Section 7
SCALE: 1" = 1'-0"



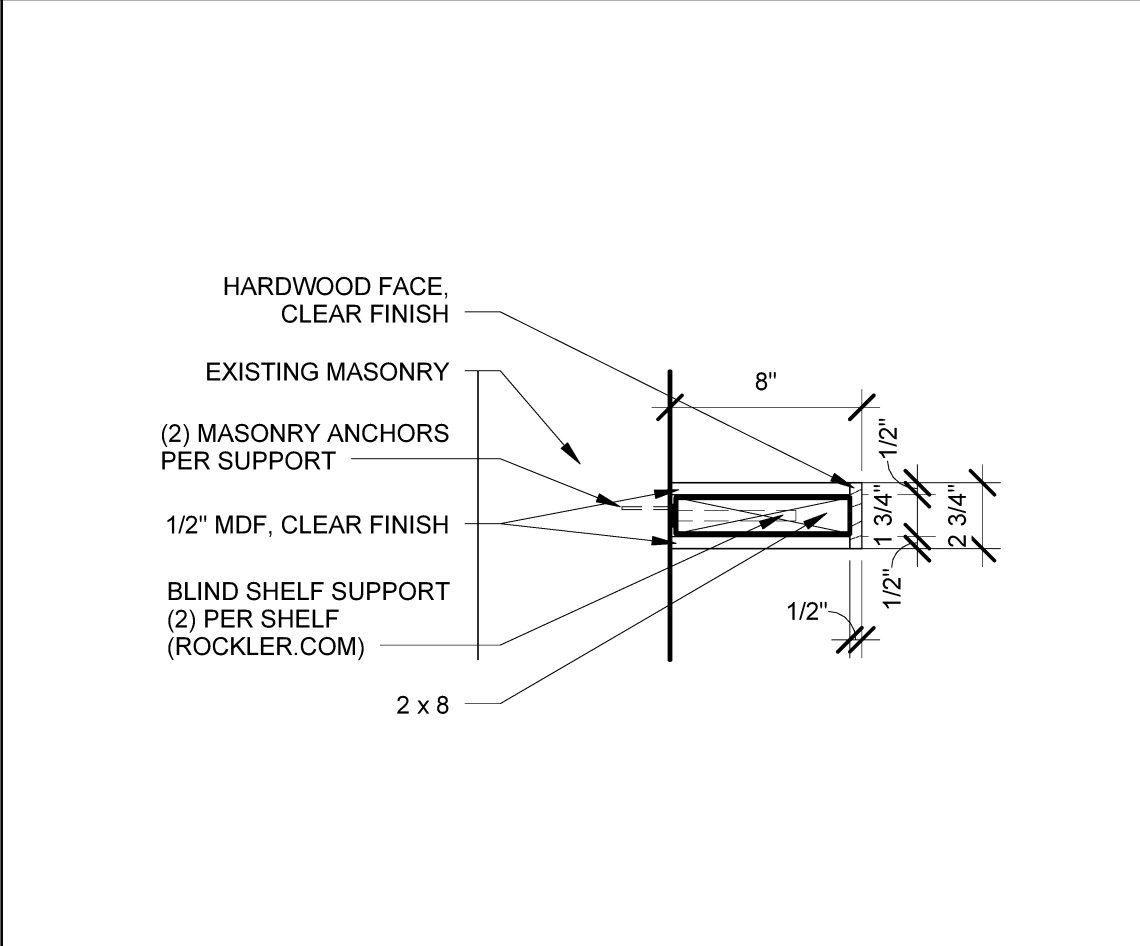
A1 TOILET ACCESSORY MOUNTING
SCALE: 1/2" = 1'-0"



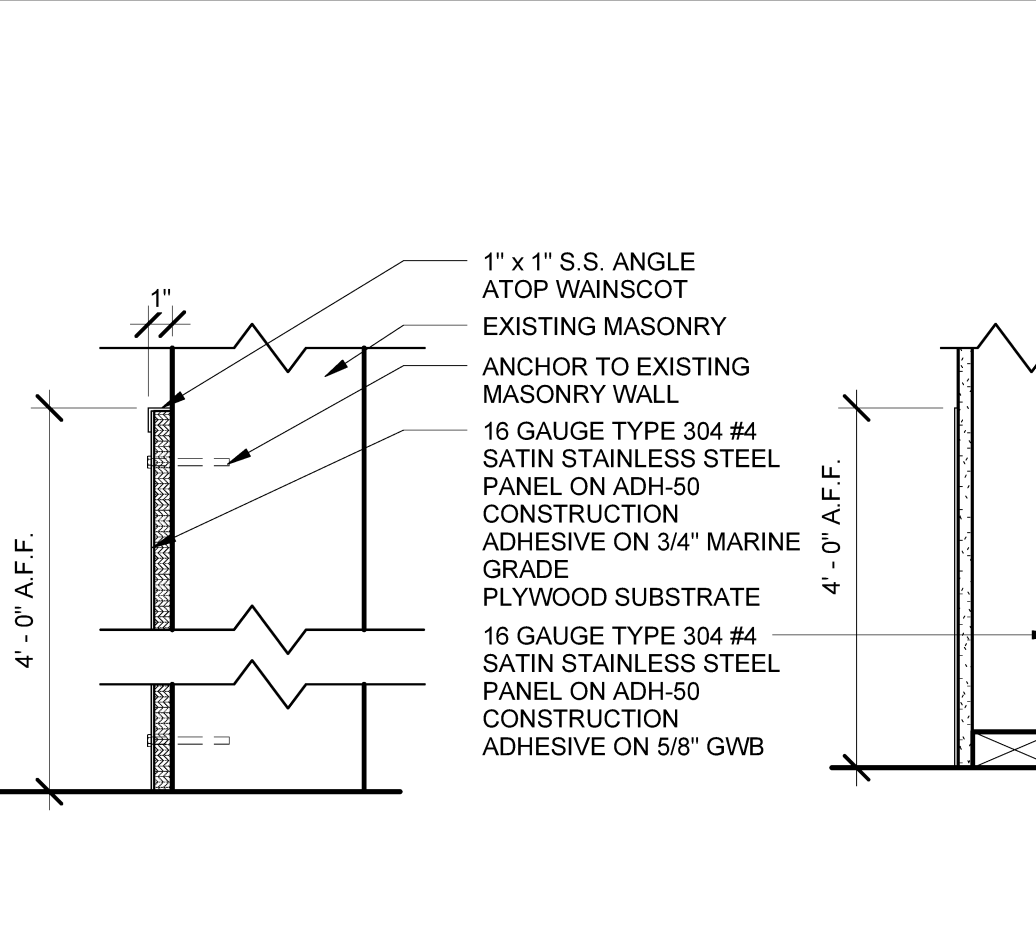
A2 EXISTING DOOR INFILL DETAIL
SCALE: 1" = 1'-0"



A3 FIXED WOOD FRAME
SCALE: 1/2" = 1'-0"

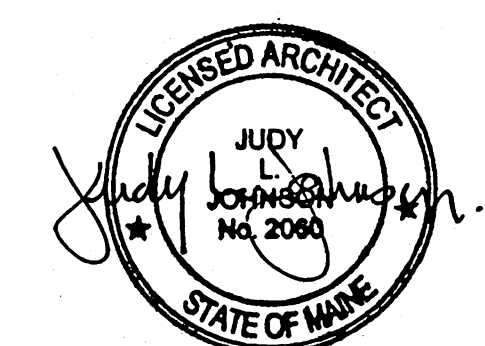


A4 BAR BACK WALL SHELVES
SCALE: 1 1/2" = 1'-0"



A5 STAINLESS WAJNSCOT
SCALE: 1 1/2" = 1'-0"

| Issues and Revisions | | |
|----------------------|-------------------------|-------------|
| Mark | Date | Description |
| 05-21-13 | 75% REVIEW | |
| 05-31-13 | ISSUED FOR CONSTRUCTION | |



| Drawing Scales | |
|----------------|----------------------------|
| As indicated | 0 1' 2' 4' |
| | 3/8" = 1'-0" |
| 0 1' 2' 3' | 0 6" 1' 1'-6" |
| | 1/2" = 1'-0" |
| | 1" = 1'-0" |
| 0 4" 8" 1' | 0 2" 4" 6" |
| | 1 1/2" = 1'-0" |
| | 3" = 1'-0" |
| PA/PE: RBB | © 2013 Harriman Associates |
| Drawn By: CMP | |

STANDARD INTERIOR DETAILS

A80.1

Plot Date: 5/31/2013 2:55:34 PM