

HARRIMAN

AUBURN PORTLAND MANCHESTER

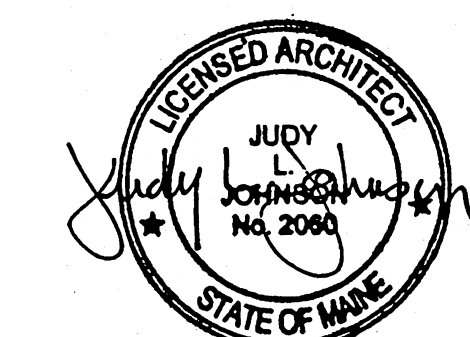
GOULD RESTAURANT

414 FORE STREET
PORTLAND, ME 04101

Harriman Project No. 12752

Key Plan Proj North

Issues and Revisions		
Mark	Date	Description
05-21-13	75%	REVIEW
05-31-13		ISSUED FOR CONSTRUCTION

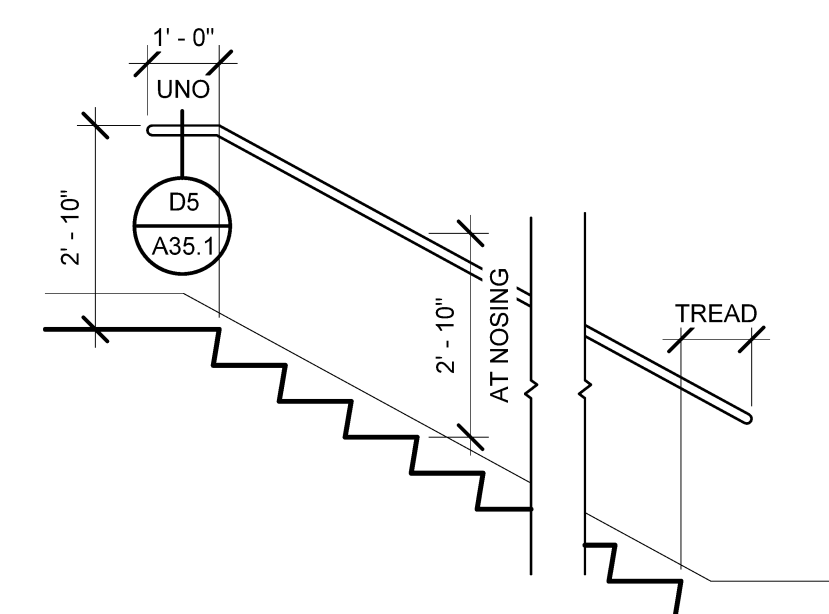


Drawing Scales	
As indicated	0 1' 2' 4'
1 1/2" = 1'-0"	0 2" 4" 6"
3/8" = 1'-0"	0 2" 4" 6"

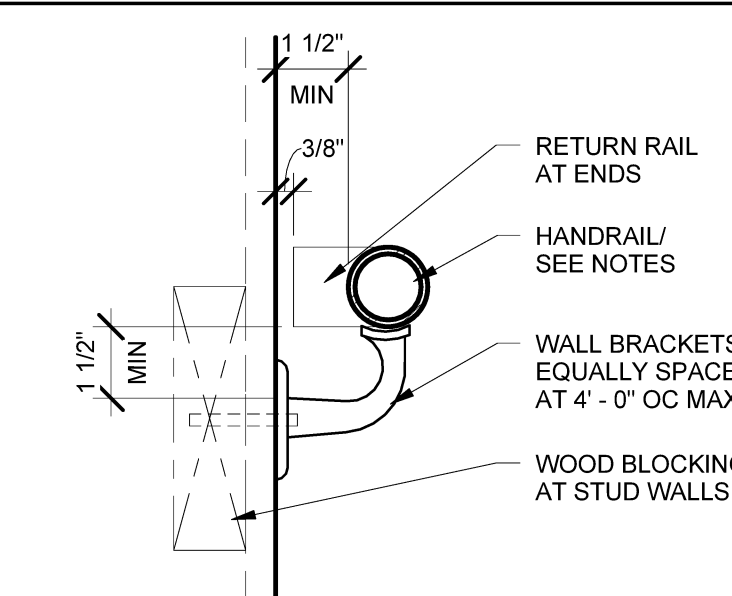
PA / PE: RBB © 2013
Drawn By: CMP Harriman Associates

STAIR SECTIONS AND DETAILS

A35.1

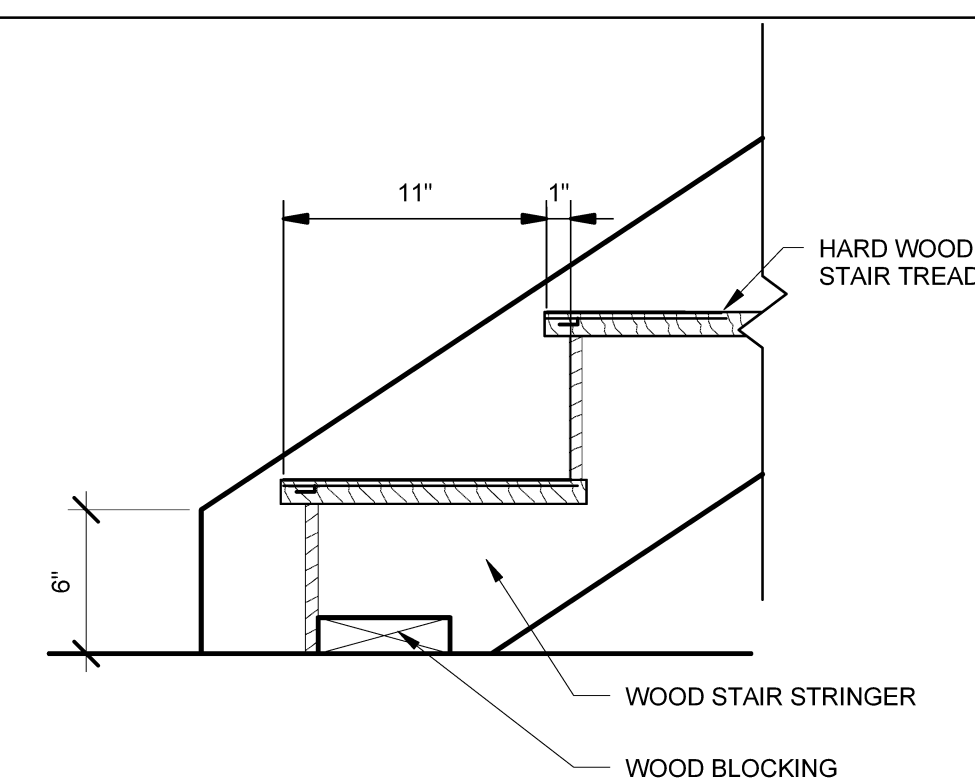


D4 TYP WALL MTD HANDRAIL
SCALE: 3/8" = 1'-0"

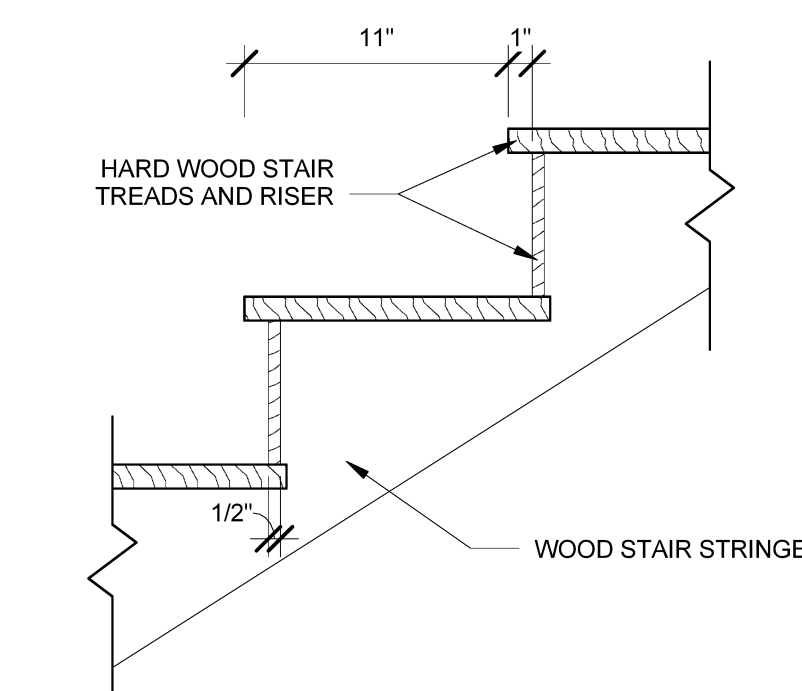


- NOTES:
- ALL HANDRAILS, INTERMEDIATE RAILS AND BALUSTERS SHALL BE 1 1/4" DIA STD STEEL PIPE, UNLESS NOTED OTHERWISE
 - WELD ALL JOINTS AND GRIND SMOOTH
 - BALUSTERS SET IN CONC SHALL BE CORE DRILLED (4") AND SET IN GROUT
 - VERIFY LENGTH OF HANDRAIL EXTENSIONS AT TOP & BOTTOM OF STAIR FLIGHTS WITH STAIR SECTIONS

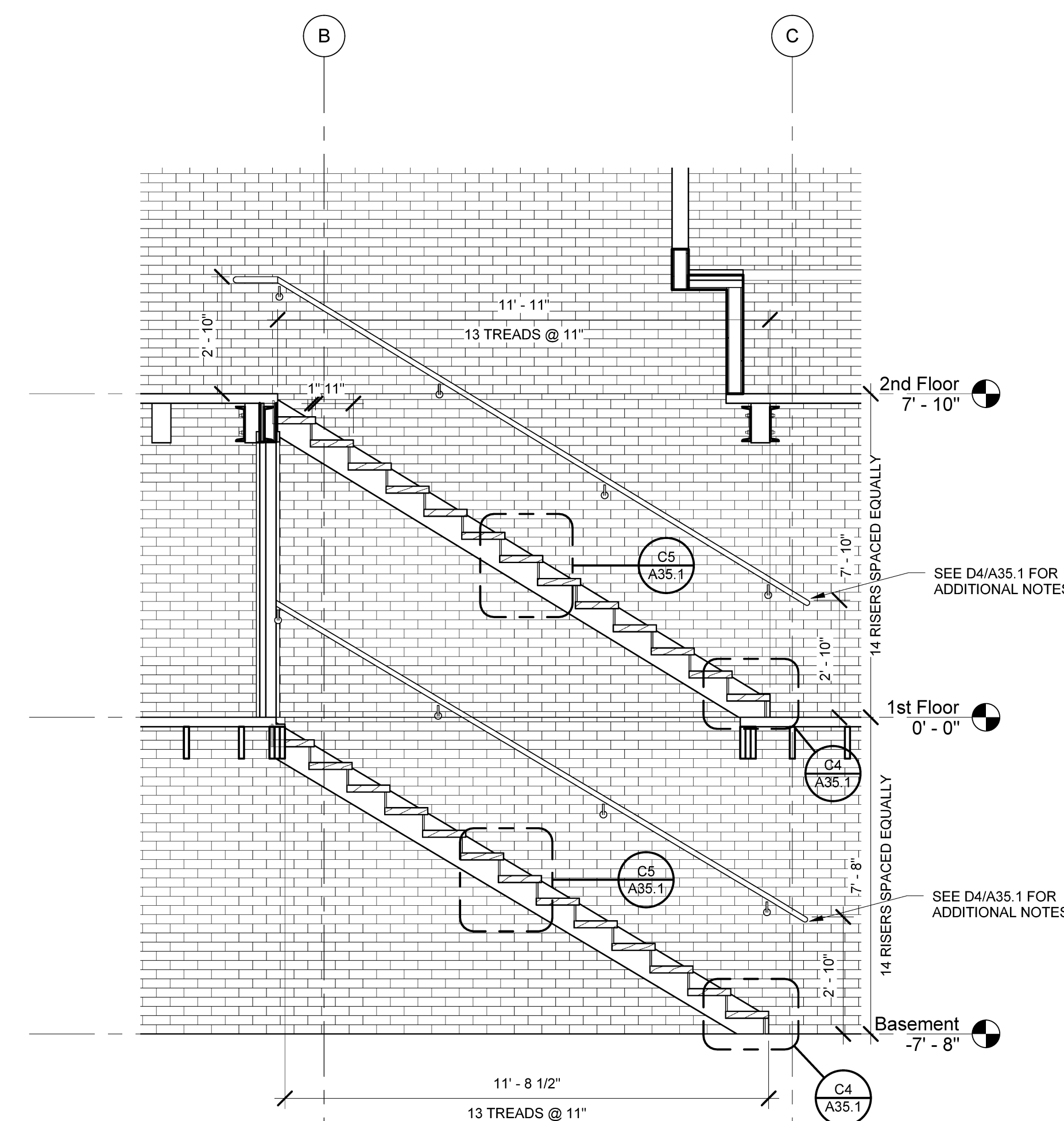
D5 TYP WALL MTD HANDRAIL DETAIL
SCALE: 3" = 1'-0"



C4 STAIR DETAILS
SCALE: 1 1/2" = 1'-0"



C5 STAIR ELEVATION DETAIL
SCALE: 1 1/2" = 1'-0"



A4 STAIR SECTION
SCALE: 3/8" = 1'-0"