



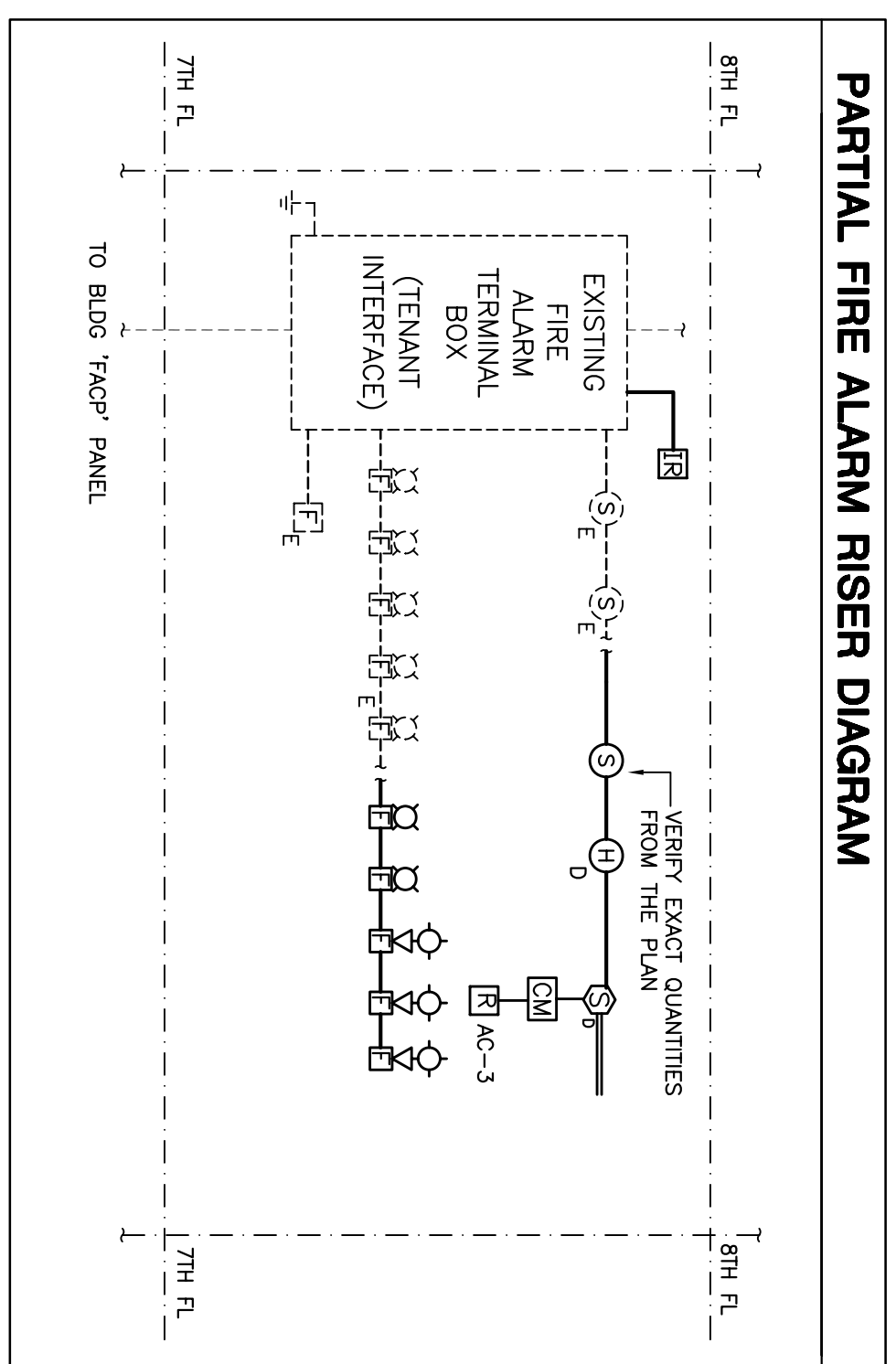
SECURITY LEGEND	
⊙	EMERGENCY DOOR CONTACT SWITCH @ 4'2" AFF BY SECURITY VENDOR (SEE HARDWARE DRAWINGS)
⊙	SMOKE RELEASE BUTTON, REFER TO ENGINEER DRAWINGS
⊙	PUSH BUTTON PRESSURIZED DOOR RELEASE
⊙	WMS LOCK, REFER TO ENGINEER DRAWING
⊙	ELECTRICAL MORTISE LOCK AND ELECTRIC TRANSFER MINE
⊙	GLASS BREAK DOOR RELEASE
⊙	REX MOTION SENSOR
⊙	PANIC BUTTON
⊙	SECURITY CAMERA
⊙	CONTROL PANEL
⊙	SSR PANEL CONTROL PANEL (10th FLOOR ONLY)

SECURITY NOTES

1. THE ELECTRICAL CONTRACTOR SHALL PROVIDE BACK BOX WITH 3/4" CONCRET STUB-UP TO CORNER AT OPEN LOCATION FOR A WALL MOUNTED SECURITY DEVICE. COORDINATE WITH SECURITY VENDOR FOR ANY ADDITIONAL CONDITIONS/REQUIREMENTS.
2. WIRE SECURITY WIRING IS TO FINISH AT SECURITY DEVICES EXCEPT LOCKING HARDWARE AS PER WIRE REQUIREMENTS.
3. PROGRAMMING OF THE SECURITY SYSTEM AND THE FINAL TESTING SHALL BE DONE BY THE SECURITY VENDOR.
4. SECURITY CABLES SHALL BE PROVIDED, RUN AND TERMINATED BY THE E.C. IDENTIFICATION LABELS SHALL BE PROVIDED FOR ALL SECURITY CABLES.
5. ALL SECURITY CABLES SHALL BE PROVIDED, RUN AND TERMINATED BY THE E.C. IDENTIFICATION LABELS SHALL BE PROVIDED FOR ALL SECURITY CABLES.
6. COMPLETE INSTALLATION SHALL CONFORM TO ALL LOCAL ELECTRICAL CODES PERTAINING TO LOW VOLTAGE WIRING.
7. UBS SECURITY CONTACT: TOM WALSH 201 352 4065.

FIRE ALARM LEGEND	
⊙	CEILING MOUNTED STROBE
⊙	WALL MOUNTED FIRE ALARM STROBE
⊙	WALL MOUNTED COMBINATION SPEAKER/STROBE
⊙	CEILING MOUNTED COMBINATION STROBE/SPEAKER
⊙	WALL MOUNTED FIRE ALARM MANUAL PULL STATION
⊙	CEILING MOUNTED DUAL TECHNOLOGY HEAT/SMOKE DETECTOR, TRAD TEMPERATURE INSE.
⊙	CEILING MOUNTED PHOTOELECTRIC TYPE SMOKE DETECTOR
⊙	DIAGNOSTIC SMOKE DETECTOR, PROVIDE CEILING MOUNTED LED LIGHT FOR REMOTE ALARM INDICATOR
⊙	CEILING MOUNTED SMOKE DETECTOR, PROVIDE CEILING MOUNTED REMOTE ALARM INDICATOR
⊙	EXISTING SPRINKLER WATER FLOW SWITCH
⊙	EXISTING SPRINKLER TAMPER SWITCH
⊙	INTERFACE RELAY, PROVIDES FIRM AND 'I' INDICATES DOOR END OF LINE RESISTOR DEVICE
⊙	STROBE EXPANDER PANEL
⊙	FIRE ALARM TERMINAL CABINET
⊙	FIRE SMOKE DAMPERS
⊙	'S' INDICATES SUPPLY ADDRESSABLE DEVICE CONTROL RELAY, FIRM-1 RELAY SHUT DOWN FOR AC-3

ALL DEVICES ARE BUILDING STANDARD, NEW, U.O.N. **DO NOT RESPONSIBLE TO VERIFY EXACT LOCATION OF DEVICES WITH THE TYPICAL REPRESENTATIVE BUILDING STANDARD**



FIRE ALARM PLAN NOTES

1. WORK UNDER THIS CONTRACT SHALL BE AS NOTED ON DRAWINGS AND SHALL INCLUDE:
 - a) ADDITIONS/ADDITIONS TO EXISTING CLASS 'T' SYSTEM
 - b) PROVISION OF STROBE SYSTEM AND SIGNALS AND CLASS 'T' INTERFACE
 - c) CLASS 'E' VENDOR
2. THE WORK SHALL BE SIMPLE MAKE AND COORDINATE WITH THE EXISTING BUILDING
3. ALL EXISTING FIRE ALARM SHALL BE RESIZED, U.O.N.
4. MINIMUM CONDUIT SIZE 3/4" TYPE OF RACEWAY (EMT OR RIGID STEEL) AS APPROVED BY THE FIRE DEPARTMENT
5. ALL CLASS-E WIRING IS TO BE SUPERSEDED SO THAT THE FIRE COMMAND STATION WILL BE NOTIFIED IN THE EVENT OF ANY RUPTURE/BREAK IN THE WIRE
6. ALL CLASS-E WIRING THAT WILL NOT BE REUSED SHALL BE REMOVED UPON COMPLETION OF A SATISFACTORY REVIEW OF THE WIRING DEVICES TO BE RE-USED SHALL BE RECONNECTED BY THE CLASS-E VENDOR WITH A BUILDING ENGINEER AS A WITNESS.
7. MOUNTING OF ALL NEW/RELOCATED DEVICES SHALL BE PER LATEST ADA CODE.
8. MOUNTED @ 80" AFF, SEE 'A.D.A.' REQUIREMENTS. STROBE LIGHTS MUST BE ALTERNATELY WIRED ON TWO SEPARATE CIRCUITS AS REQUIRED BY CODE.
9. ALL WIRING IN PARTITION OR WALLS SHALL BE IN EMT WITH MINIMUM #14 COPPER WIRE AND ALL DEVICES SHALL BE BUILDING STANDARD. USE TEST WIRE 190
10. UPON ACTIVATION OF ANY ALARM INITIATING DEVICE ALL audible and visual alerting devices shall be sounded and all working dampers closed. DEVIATE ALL RETURN DOORS, SEND SIGNAL TO RECALL ALL ELEVATORS SERVING THE FLOOR TO THE COMMAND STATION, AND NOTIFY THE STROBE ACTIVATED ADDRESS SIGNAL TO THE FIRST TO THE FIRE DEPARTMENT.
11. PROVIDE BUILDING STANDARD STROBE IN TENANT SPACE AS SHOWN IN THE PLAN AND PROVIDE BUILDING STANDARD STROBE IN COMMON AREAS AS SHOWN IN THE PLAN. PROVIDE BUILDING STANDARD STROBE IN COMMON AREAS AS SHOWN IN THE PLAN. PROVIDE BUILDING STANDARD STROBE IN COMMON AREAS AS SHOWN IN THE PLAN.
12. **VERIFY EXACT QUANTITIES**
13. COMPLETE FIRE ALARM INSTALLATION SHALL COMPLY WITH ADA, ILL. 1971 NATIONAL ELECTRICAL CODE 2002, N.F.P.A. 72 OF 2005 AND ALL OTHER APPLICABLE CODES AND REGULATIONS.
14. ALL PRODUCTS SHALL BE NEW, U.L. LISTED AND APPROVED BY THE BOARD OF STANDARDS AND APPEALS (B.S. & A.) OR BY THE MATERIAL AND EQUIPMENT ACCEPTANCE (M.E.A.), A DIVISION OF DEPARTMENT OF BUILDINGS OF THE CITY OF CHICAGO.
15. THE FIRE ALARM CONTRACTOR SHALL PREPARE AND SUBMIT THE LAYOUT PLAN, RISER DIAGRAM WITH POINT TO POINT WIRING SCHEMATIC, SEQUENCE OF OPERATION AND WIRING SCHEDULE TO THE ENGINEER AND SHALL NOT PROCEED WITH INSTALLATION PRIOR TO APPROVAL.
16. THIS CONTRACTOR MUST PAY ALL FEES FOR PERMITS/INSPECTION AND OBTAIN APPROVAL FROM THE FIRE DEPARTMENT. THE CONTRACTOR SHALL MAKE ALL NECESSARY ADJUSTMENTS REQUIRED BY THE INSPECTOR RESULTING FROM ALL REQUIRED CERTIFICATES OF APPROVAL FROM THE STATE AND MUNICIPAL ENGINEER.
17. THIS CONTRACTOR SHALL AT HIS EXPENSE CORRECT ANY DEFECT WHICH SHALL APPEAR ON ANY FIRE DEPARTMENT INSPECTION OF THE WORK COVERED UNDER THIS CONTRACT AND SHALL BE RESPONSIBLE FOR ALL FEES LEVIED AS A RESULT OF SUCH INSPECTION. THE CONTRACTOR SHALL BE RESPONSIBLE FOR ALL COSTS OF REWORK AND SHALL BE RESPONSIBLE FOR ANY ADDITIONAL COSTS RESULTING FROM VERIFIABLE DEFECTS. THE CONTRACTOR SHALL BE RESPONSIBLE FOR ANY ADDITIONAL COSTS RESULTING FROM VERIFIABLE DEFECTS. THE CONTRACTOR SHALL BE RESPONSIBLE FOR ANY ADDITIONAL COSTS RESULTING FROM VERIFIABLE DEFECTS.
18. PRIOR TO SUBMITTING HIS BID, THIS CONTRACTOR SHALL FIELD VERIFY ALL EXISTING CONDITIONS INCLUDING BUT NOT LIMITED TO AVAILABILITY OF CIRCUITS AND WIRING. THE CONTRACTOR SHALL BE RESPONSIBLE FOR VERIFYING ALL EXISTING CONDITIONS INCLUDING BUT NOT LIMITED TO AVAILABILITY OF CIRCUITS AND WIRING. THE CONTRACTOR SHALL BE RESPONSIBLE FOR VERIFYING ALL EXISTING CONDITIONS INCLUDING BUT NOT LIMITED TO AVAILABILITY OF CIRCUITS AND WIRING.
19. SUBMIT AS BUILT ON SEPA AND ON CHANGE DISC UPON COMPLETION OF INSTALLATION TO THE ENGINEER. DRAWINGS ARE TO PREPARED USING AUTOCAD.
20. VERIFY THAT FIRE ALARM FUNCTION (IN A TOTAL FIRE ALARM MODE) IS NOT DEGRADED BY THE ADDITIONS AND CHANGES ON THIS FLOOR. COORDINATE WITH BUILDING ENGINEER.

CLIFFORD DAVIS, P.E., P.C.
 CONSULTING ENGINEERS
 7 Day Street - Suite 1601, New York, NY 10007
 Tel: 212.608.4811 Fax: 212.267.0622
 e-mail: mail@cliffordeng.com

Ted Moulds Associates
 ARCHITECTURE
 INTERIOR DESIGN
 7th Madison Avenue
 New York, NY 10017
 Tel: 212.681.1000
 Fax: 212.360.2000
 www.tedmoulds.com

PROJECT NUMBER	7th FL FIRE ALARM & SAFETY PLAN
SCALE	1/8" = 1'-0"
DATE	05.16.07
PROJECT MANAGER	UBS
PROJECT ARCHITECT	ONE CITY CENTER PORTLAND, ME 04101
DRAWN BY	BU
CHECKED BY	CB
CADD FILE	

UBS

E-5.7