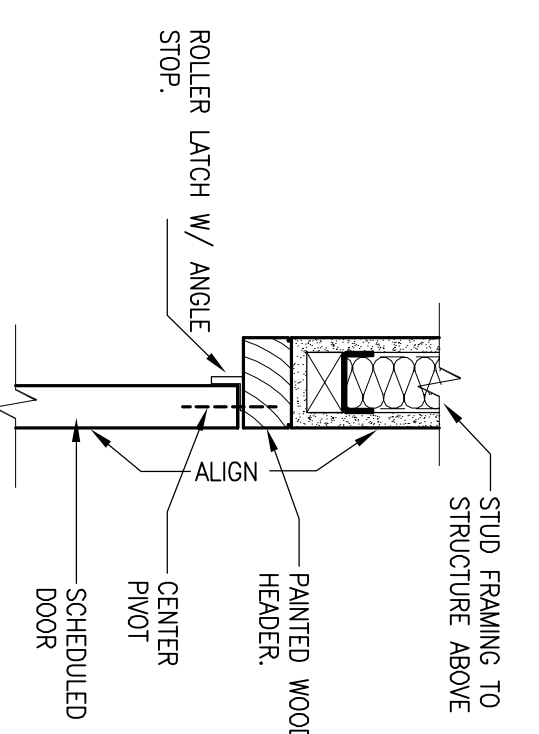
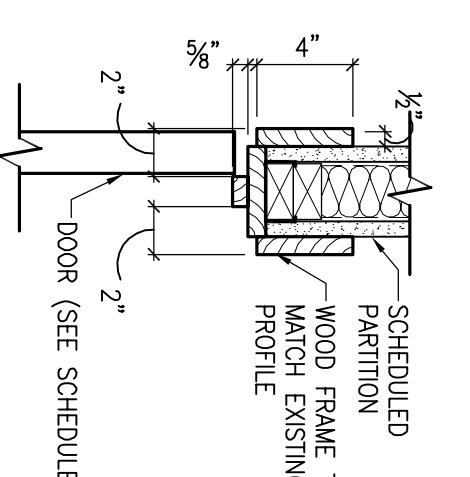


REVISIONS

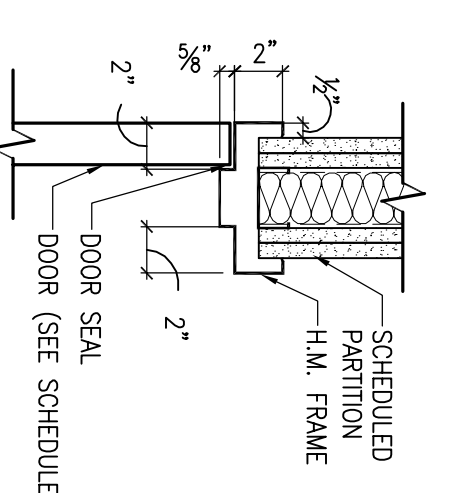
NO.	DATE	DESCRIPTION



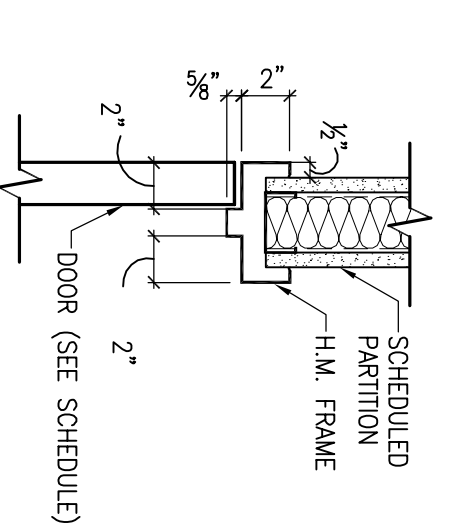
H4 PIVOT DOOR HEAD DETAIL
SCALE: 1-1/2"=1'-0"



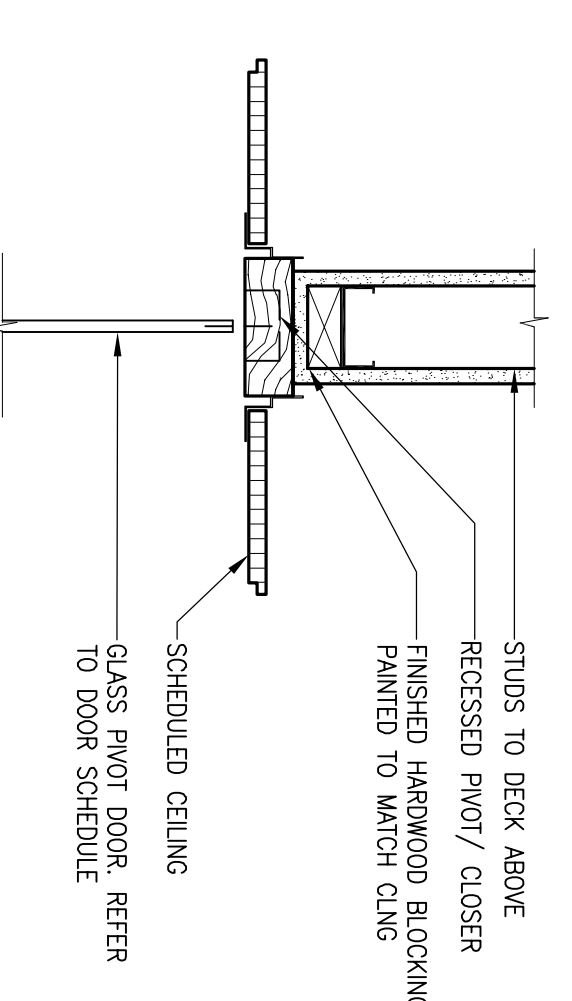
H3 WOOD HEAD DETAIL
SCALE: 1-1/2"=1'-0"



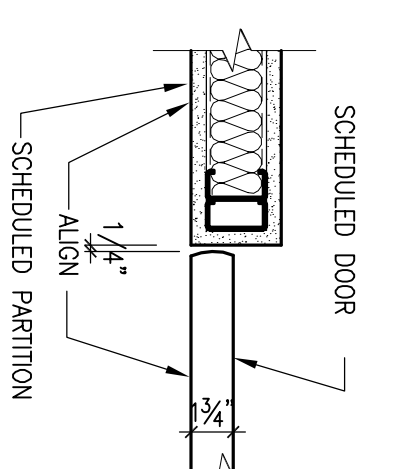
H2 FIRE RATED PARTITION H.M. HEADER
SCALE: NTS



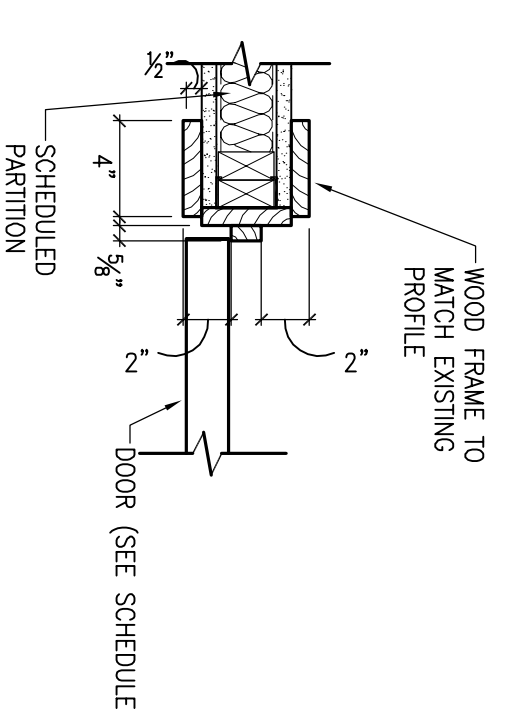
H1 H.M. HEADER
SCALE: NTS



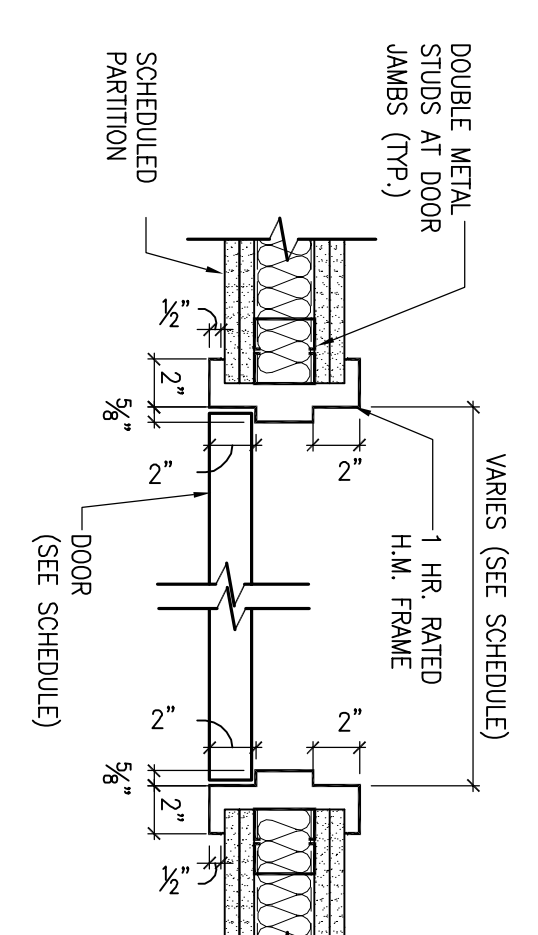
H6 HEAD DETAIL @ GLASS ENTRY
SCALE: 1-1/2"=1'-0"



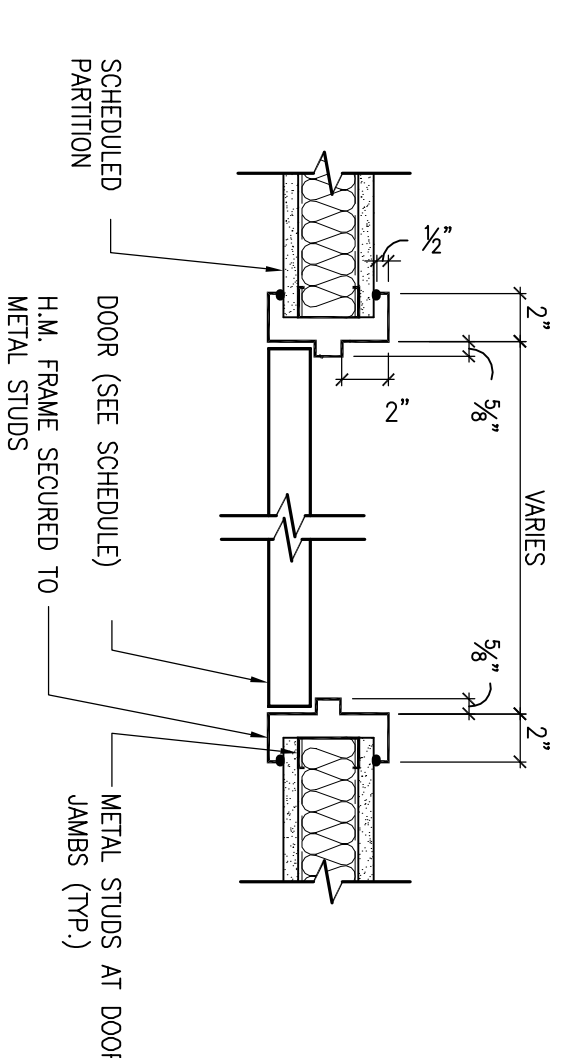
15 NOT USED
SCALE: 1-1/2"=1'-0"



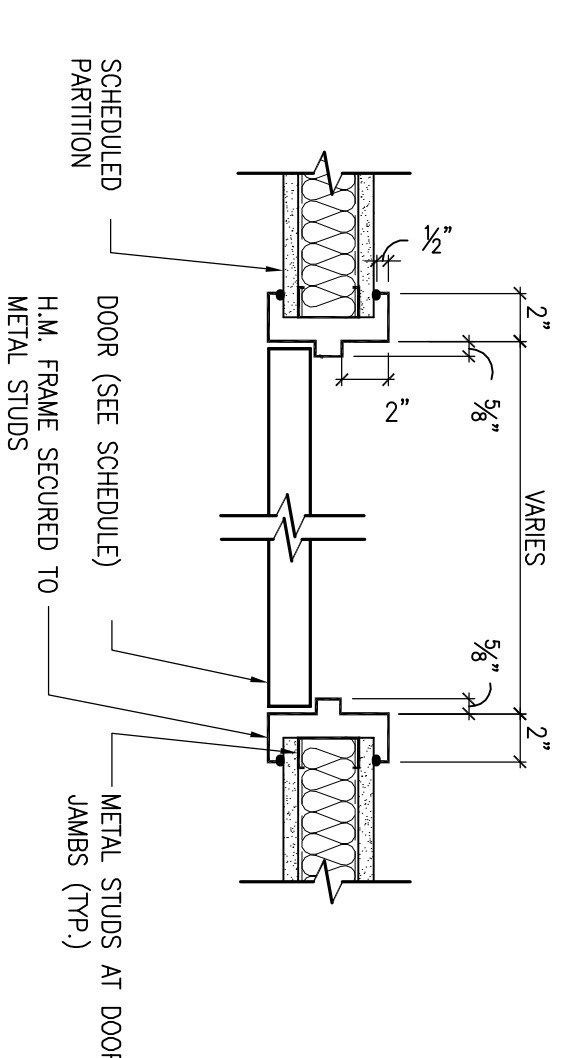
14 PIVOT DOOR JAMB DETAIL
SCALE: 1-1/2"=1'-0"



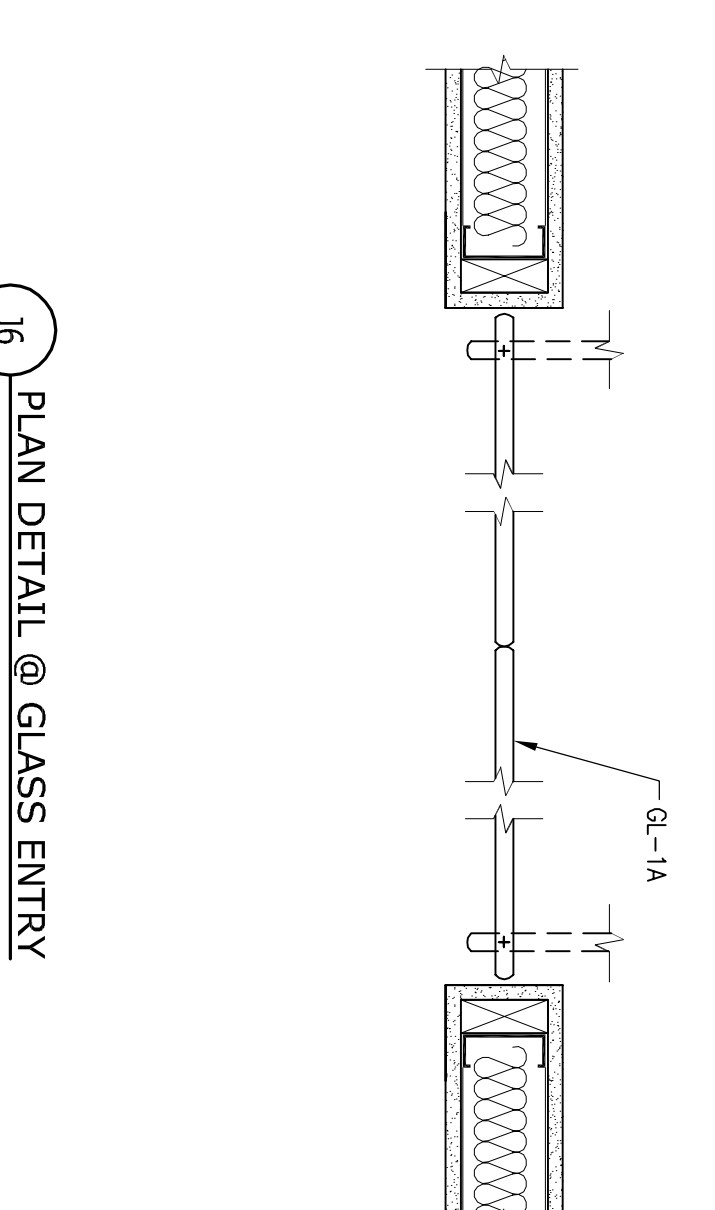
13 WOOD JAMB
SCALE: 1-1/2"=1'-0"



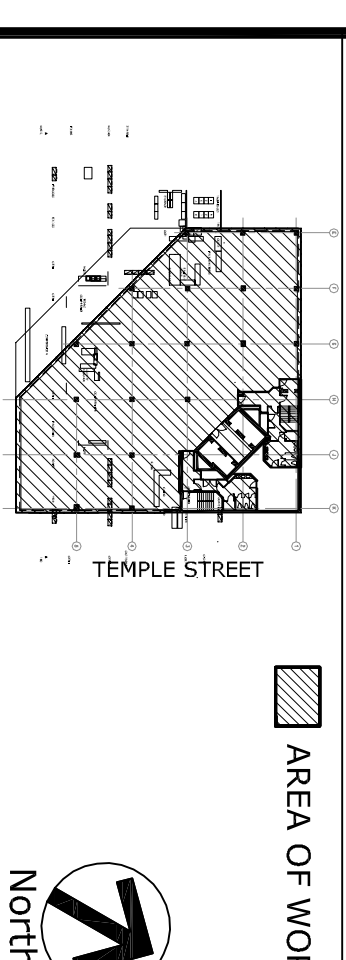
12 FIRE RATED PARTITION H.M. JAMB
SCALE: 1-1/2"=1'-0"



11 H.M. JAMB
SCALE: 1-1/2"=1'-0"



16 PLAN DETAIL @ GLASS ENTRY
SCALE: 1-1/2"=1'-0"



KEY PLAN

NO.	DATE	COPIES	ISSUE
2	07.13.07		ISSUE FOR BID
1	07.13.07		ISSUE FOR PERMIT
	06.26.07		ISSUE FOR CLIENT REVIEW
	06.13.07		ISSUE TO ENGINEER TO WHOM

Ted Mondis Associates
ARCHITECTURE
INTERIOR DESIGN
155 Madison Avenue
New York, NY 10017
Tel: 212 546 5000
Fax: 212 546 5001

One Emmanuel Place
Cheshire, CT 06034
Tel: 412 260 1138
www.tmond.com

PROJECT NUMBER	107126.01	7th & 10th FL. DOOR DETAILS
SCALE	AS NOTED	UBS
PROJECT MANAGER	07.13.07	ONE CITY CENTER PORTLAND, ME 04101
PROJECT ARCHITECT		
DRAWN BY	A-E	
CHECKED BY		
CAD FILE		
R:\300\107126\101		A-602