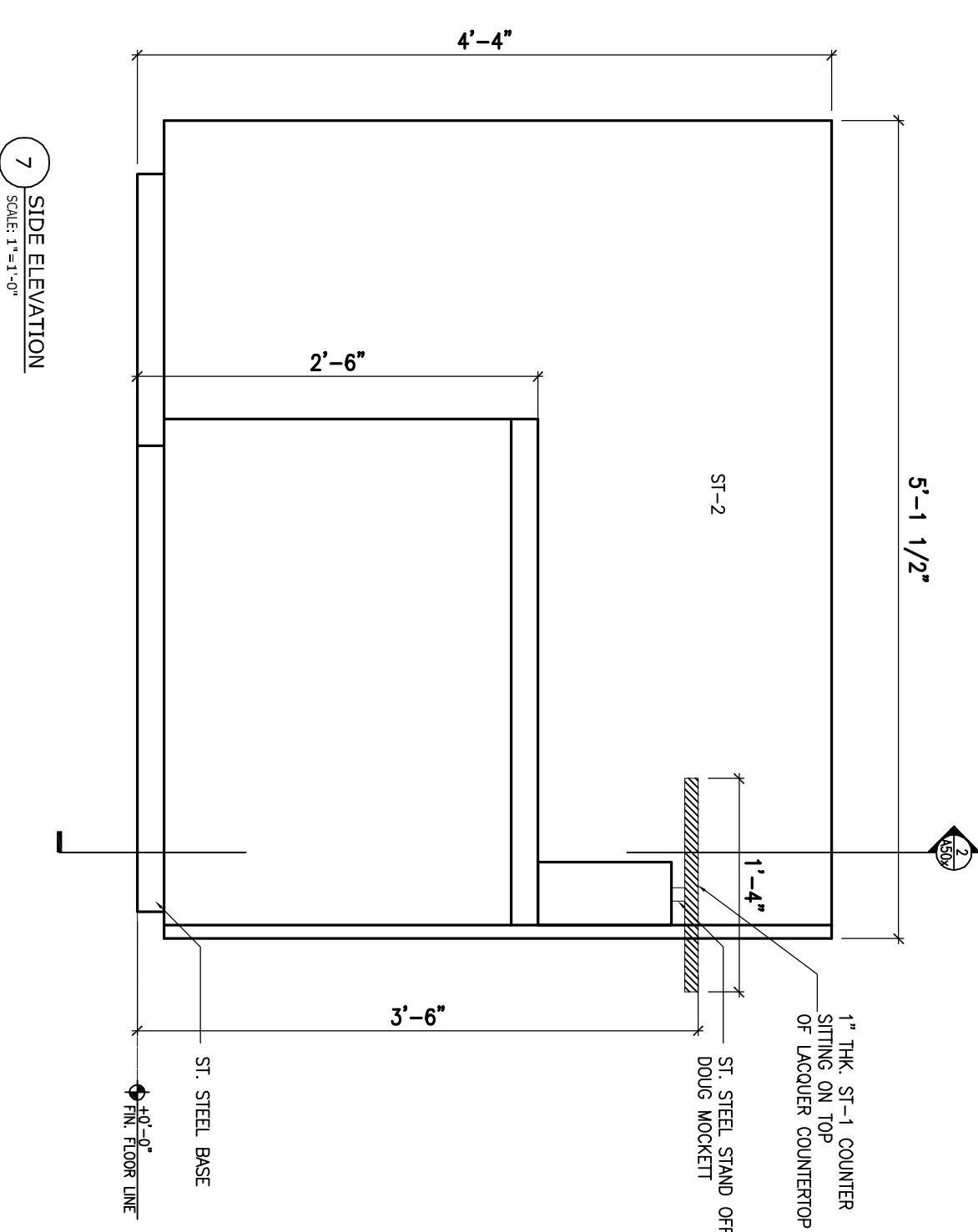
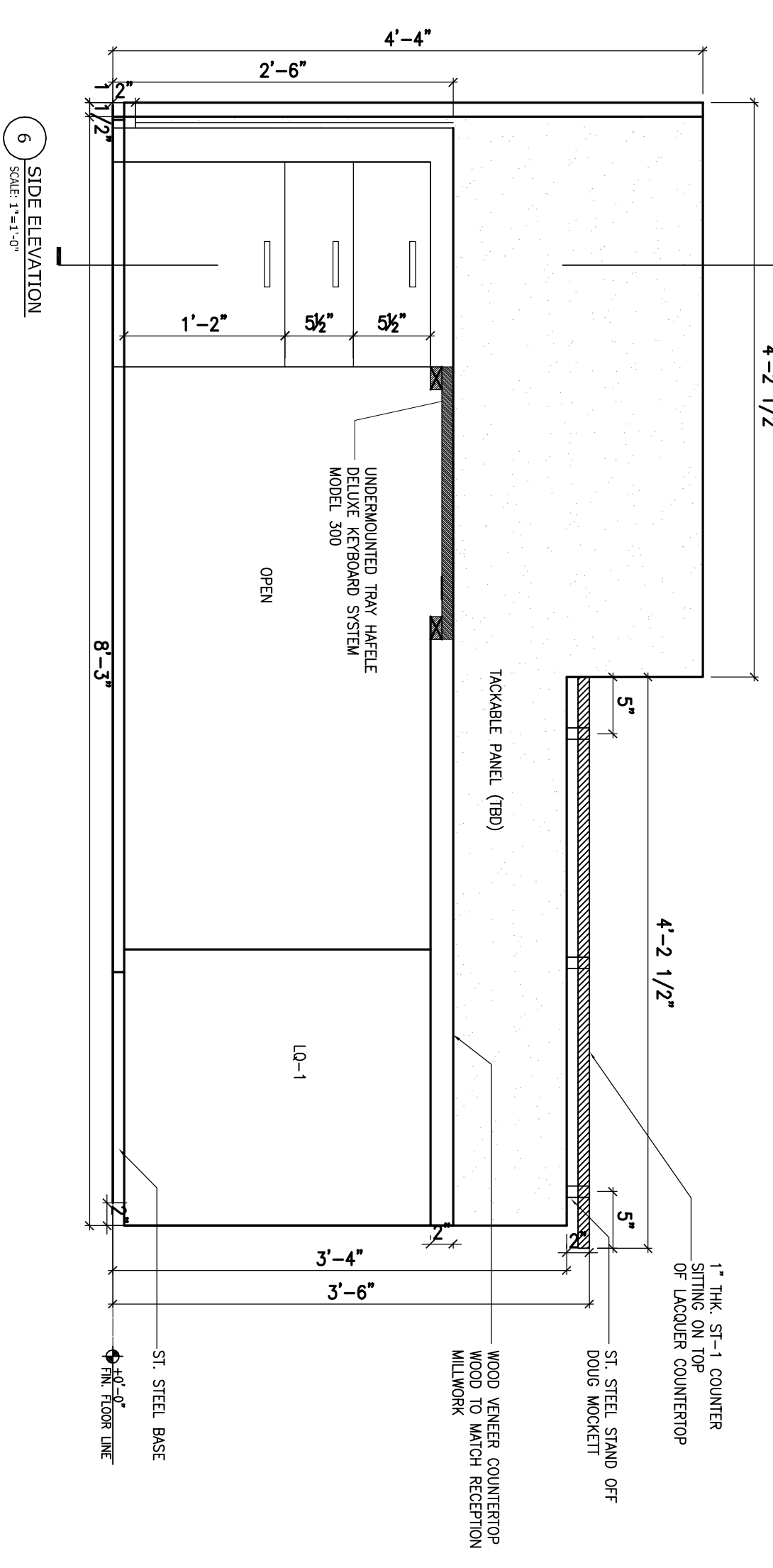
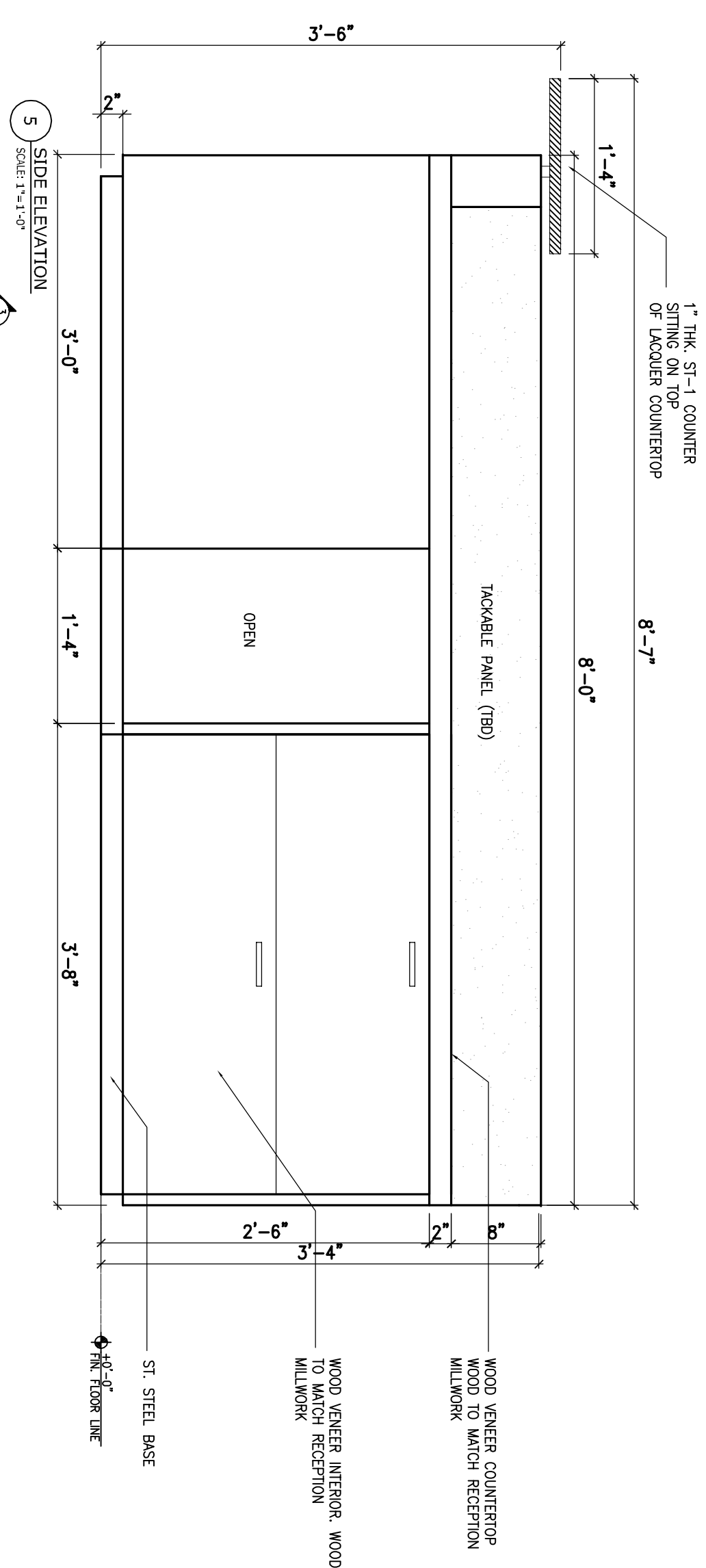
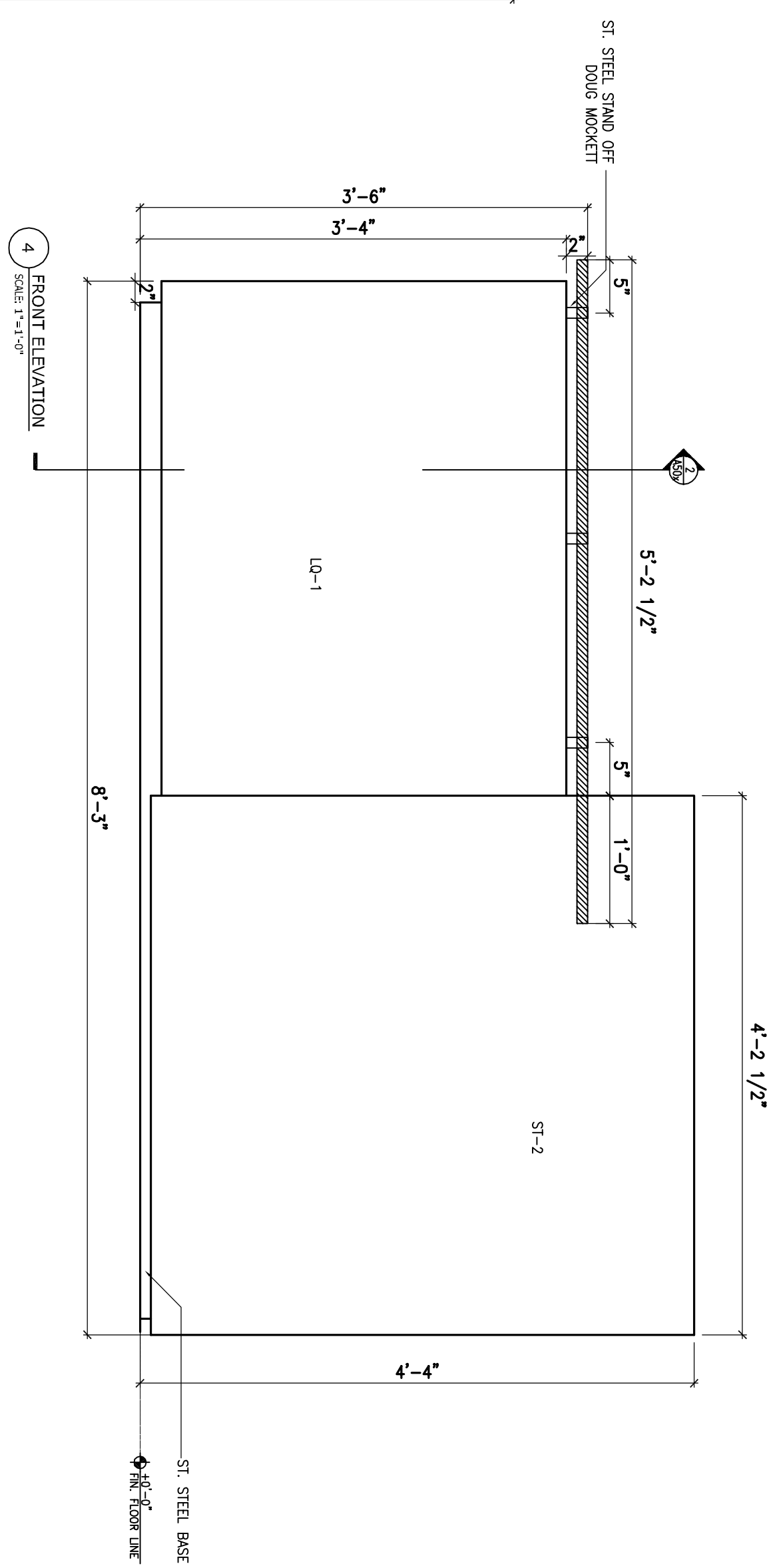
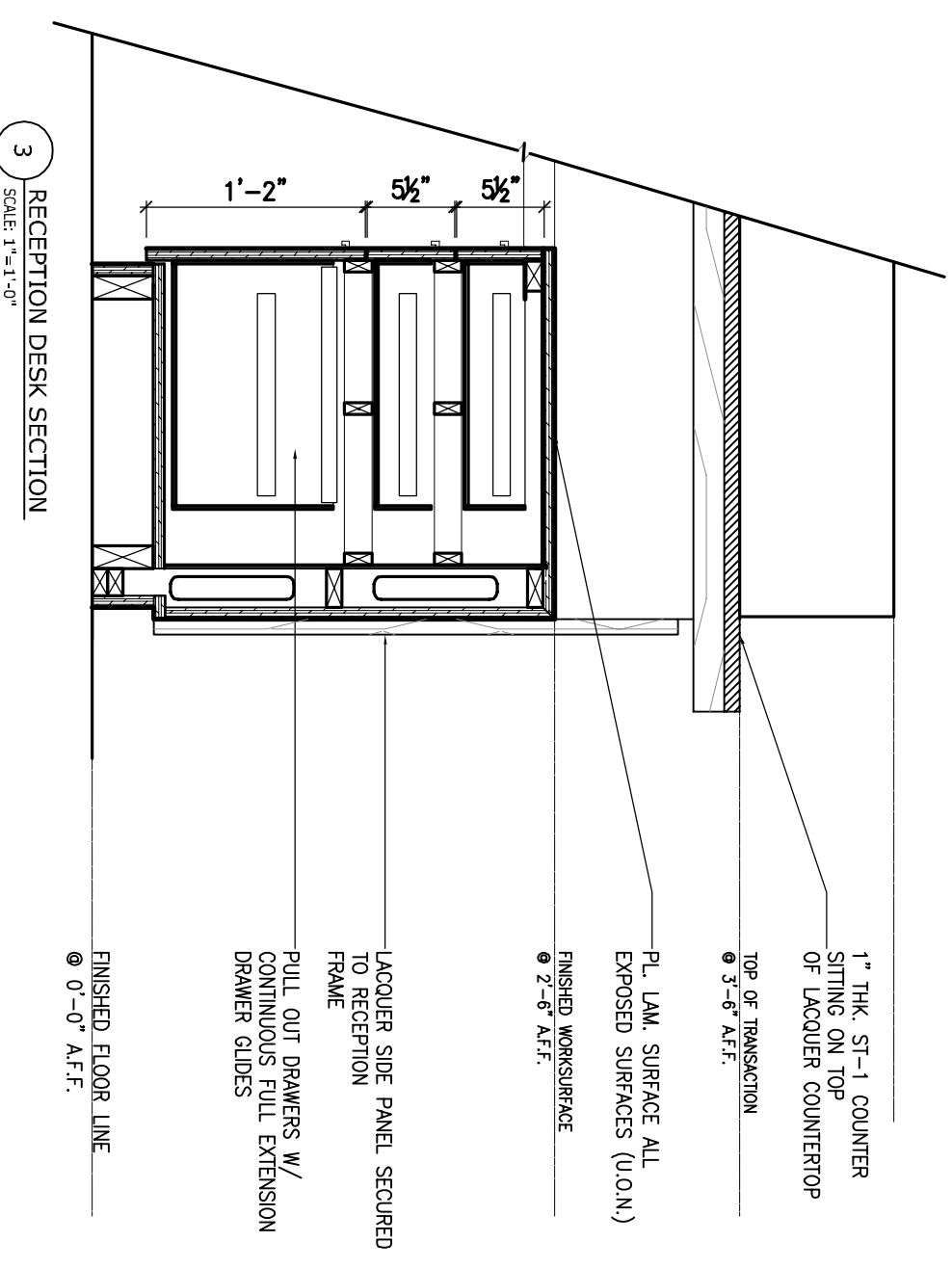
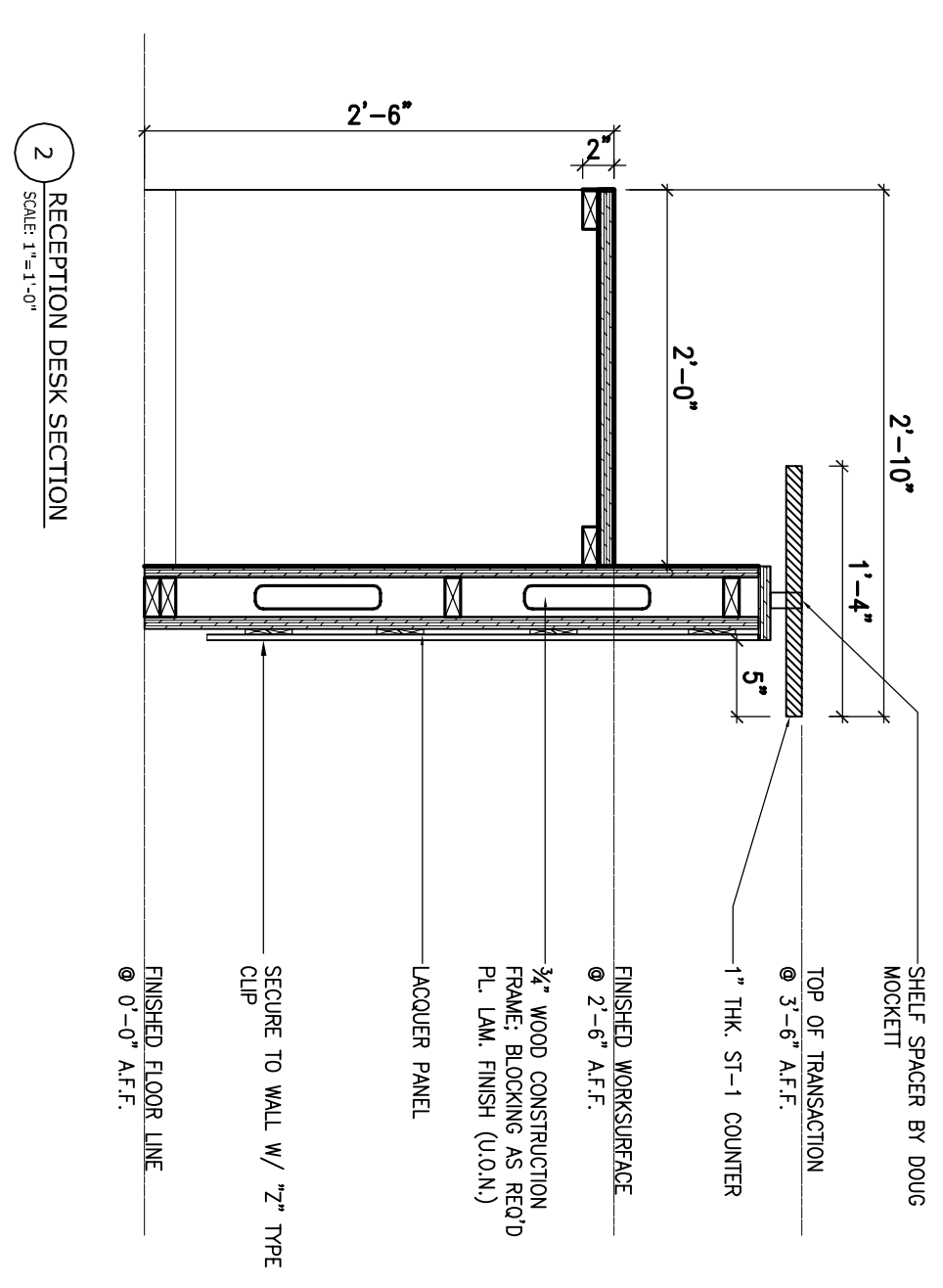
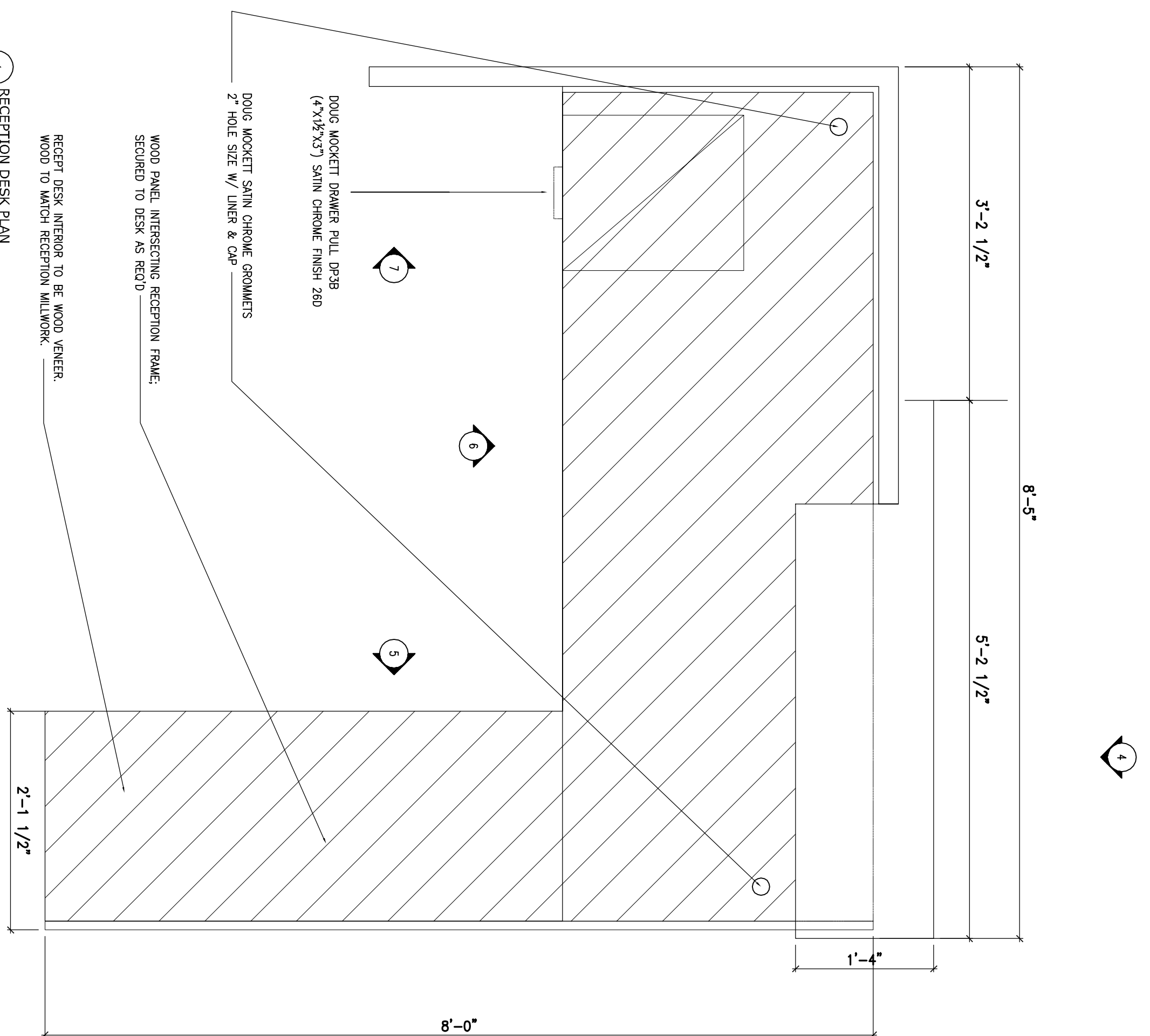
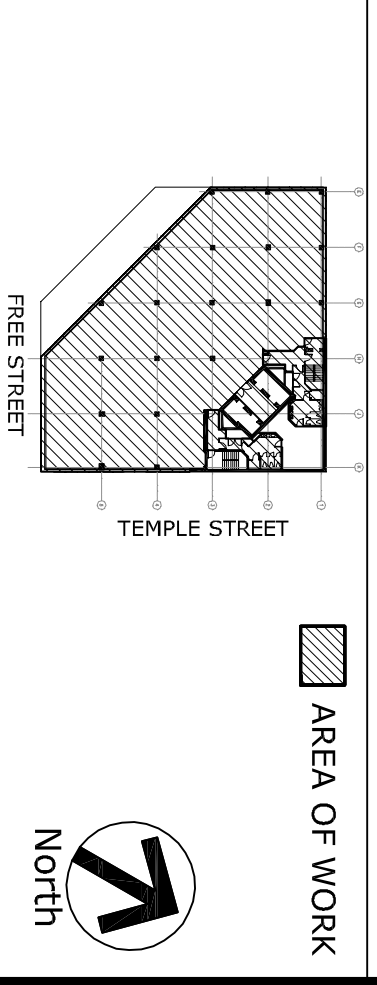


REVISIONS

NO.	DATE	DESCRIPTION



KEY PLAN



NO.	DATE	COPIES	ISSUE	TO WHOM
2	07.13.07		ISSUE FOR BID	
1	07.13.07		ISSUE FOR PERMIT	
	06.26.07		ISSUE FOR CLIENT REVIEW	
	06.13.07		ISSUE TO ENGINEER	

Ted Moulds
Architects
70 Madeline Avenue
New York, NY 10017
Tel: 212.261.2800
Fax: 212.261.2800
www.tedmoulds.com

One Emerald Place
Arlington, VA 22204
Tel: 703.461.0138
www.tedmoulds.com

PROJECT NUMBER: 107126.01
SCALE: 1/8"=1'-0"
DATE: 07.13.07
PROJECT MANAGER: [Name]
PROJECT ARCHITECT: [Name]
DRAWN BY: AE
CHECKED BY: [Name]

RECEPTION DESK
UBS
ONE CITY CENTER
PORTLAND, ME 04101