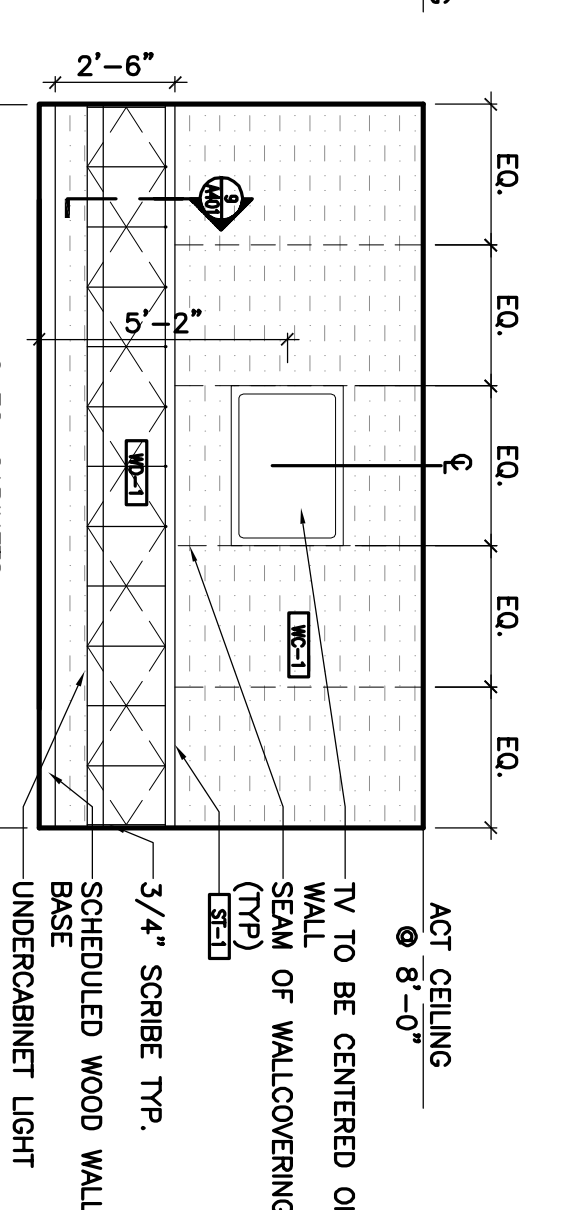
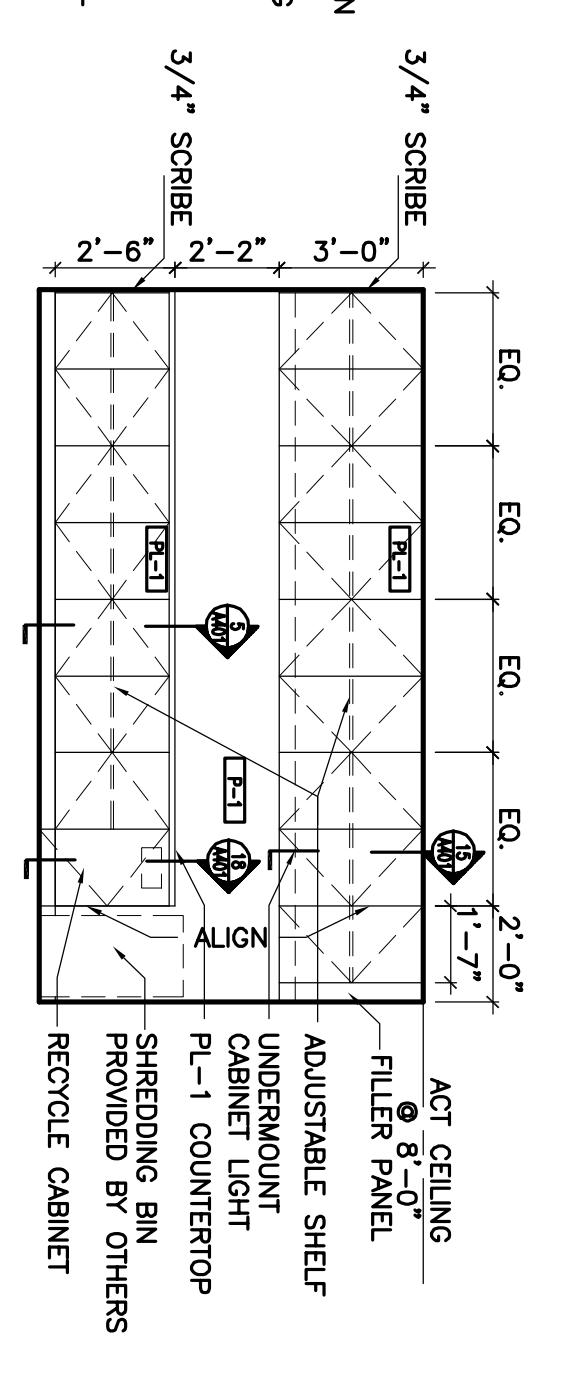


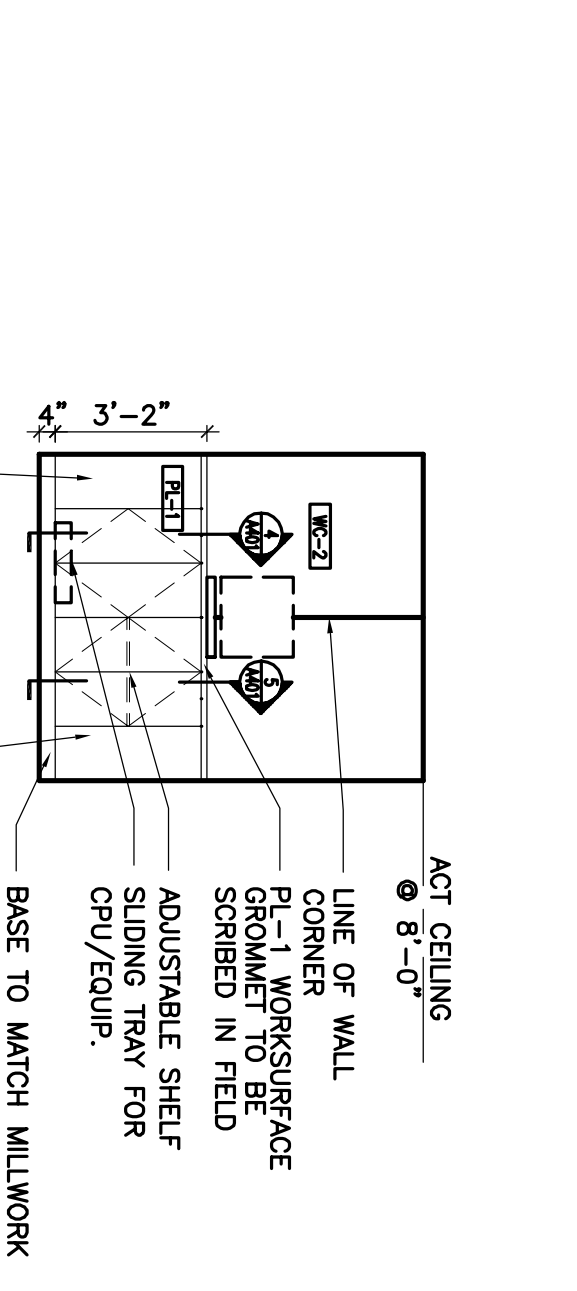
1 RECEPTION 10.01
SCALE: 1/4"=1'-0"



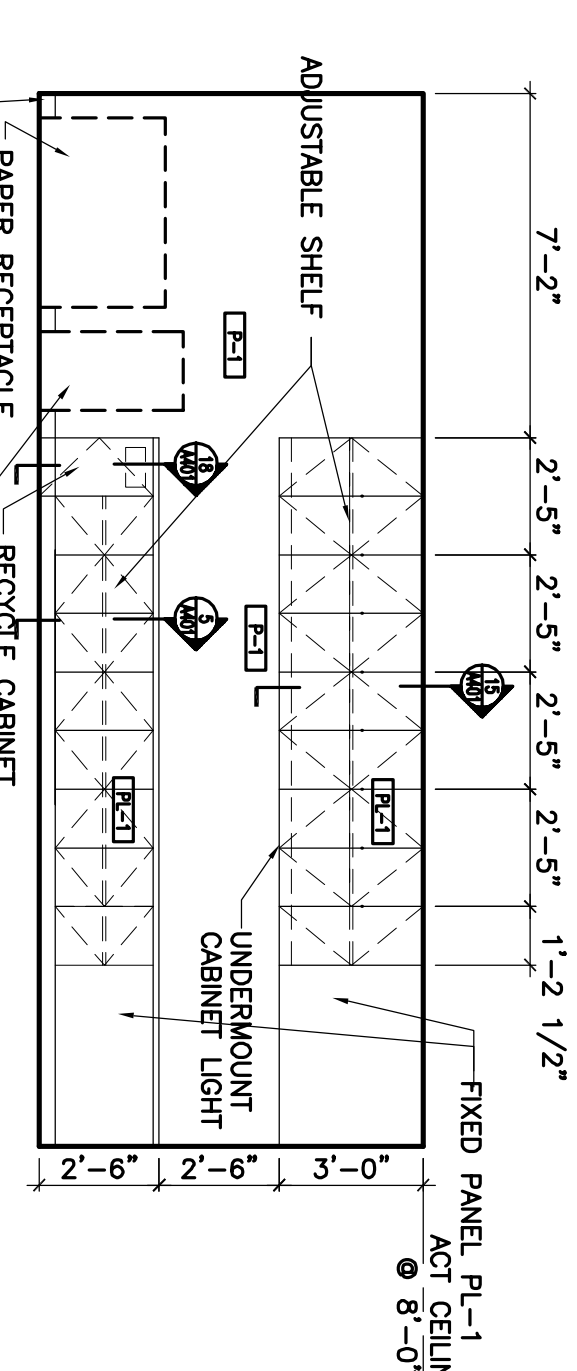
2 RECEPTION CONFERENCE ROOM 10.36
SCALE: 1/4"=1'-0"



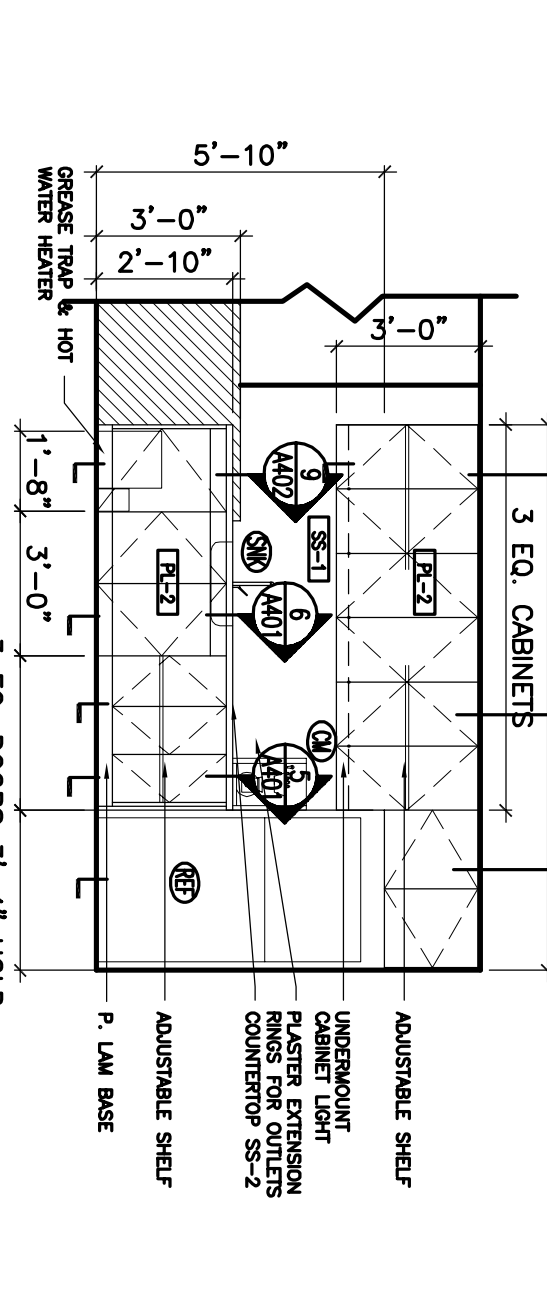
3 COPY AREA @ 10.33
SCALE: 1/4"=1'-0"



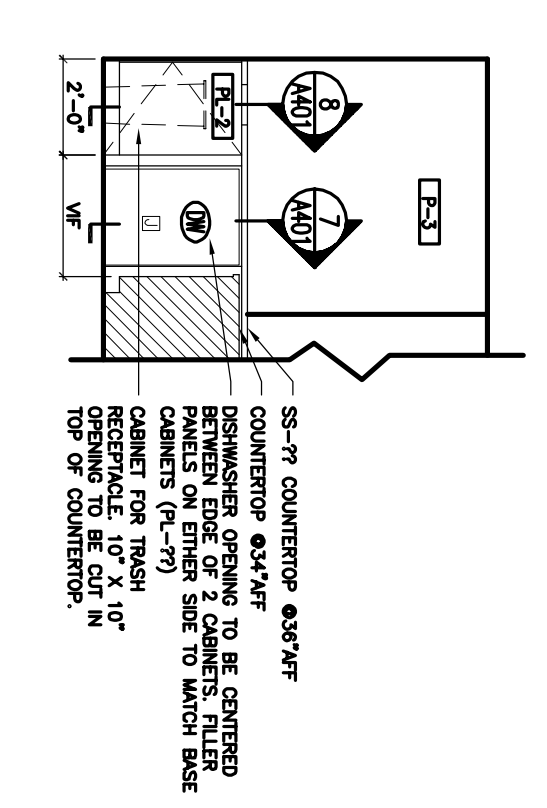
4 BLOOMBERG STATION @ 10.45
SCALE: 1/4"=1'-0"



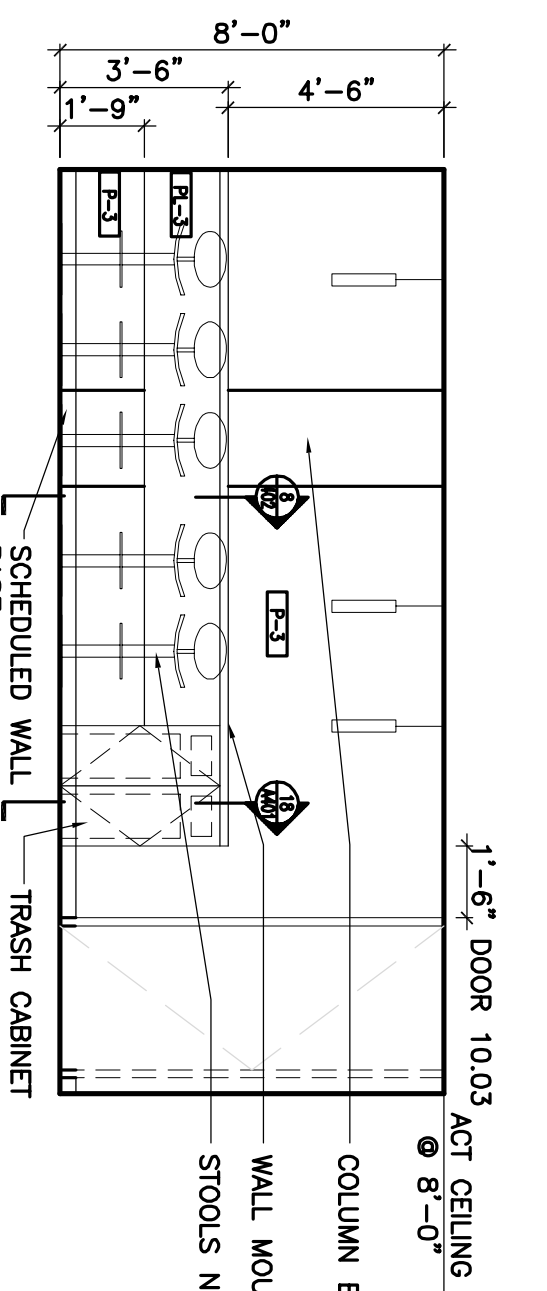
5 COPY ROOM 10.04 WEST ELEVATION
SCALE: 1/4"=1'-0"



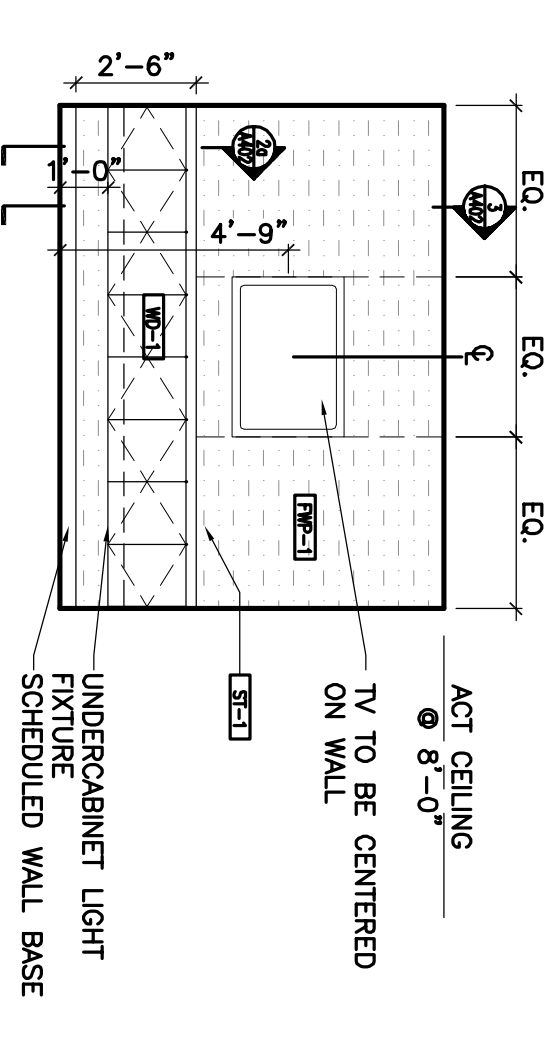
6 PANTRY @ 10.03
SCALE: 1/4"=1'-0"



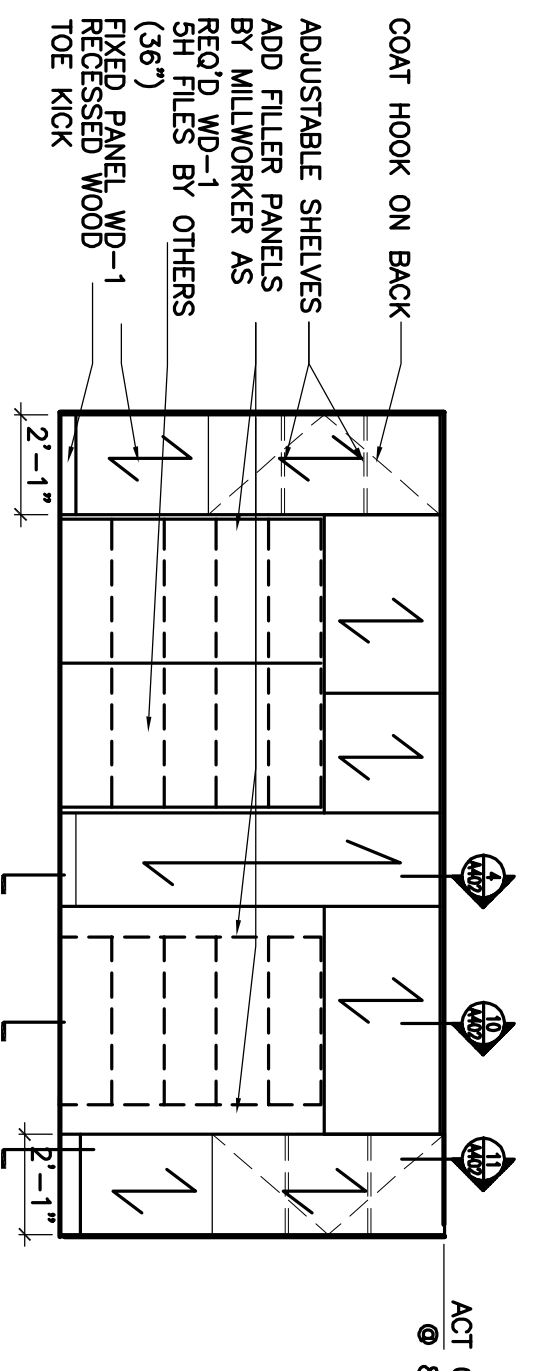
6a PANTRY @ 10.03
SCALE: 1/4"=1'-0"



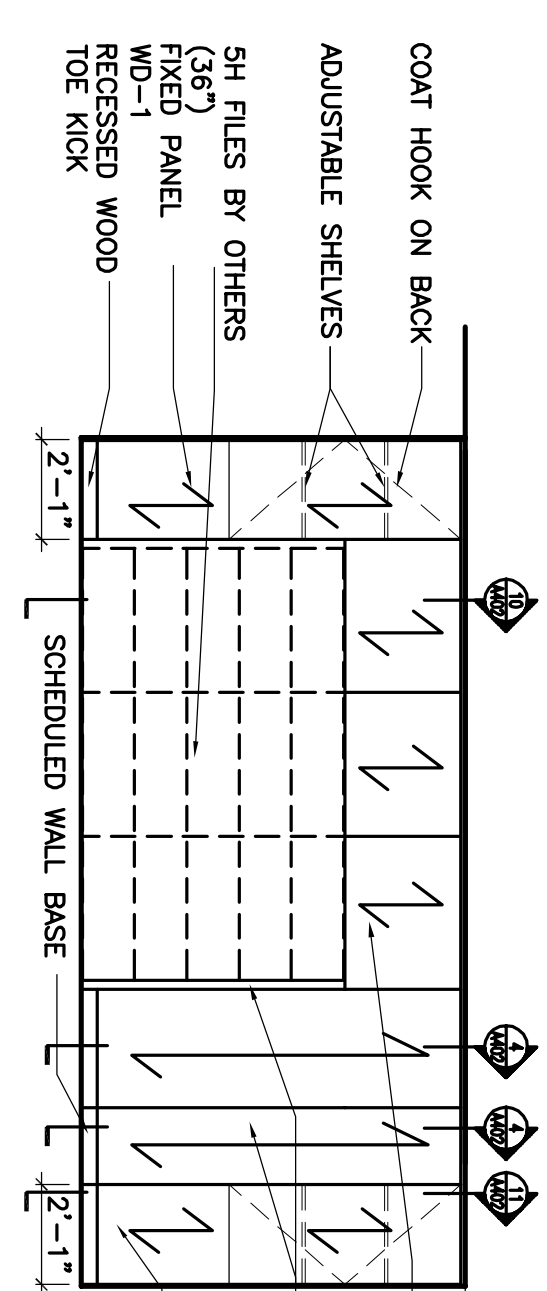
7 PANTRY @ 10.03
SCALE: 1/4"=1'-0"



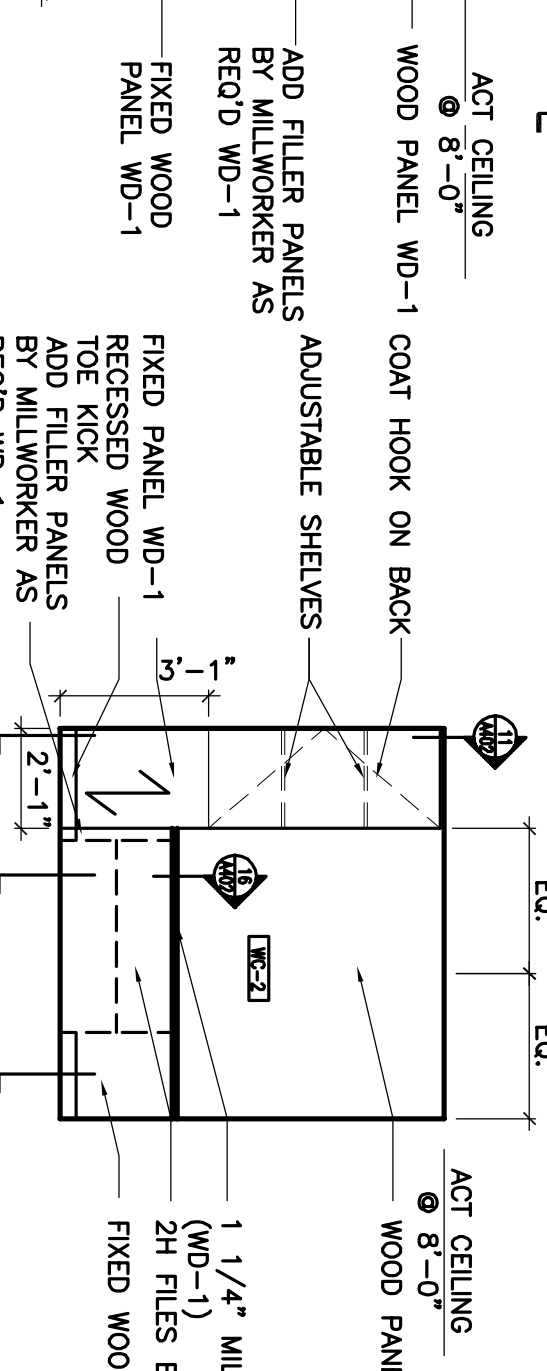
8 CONFERENCE ROOM @ 10.02
SCALE: 1/4"=1'-0"



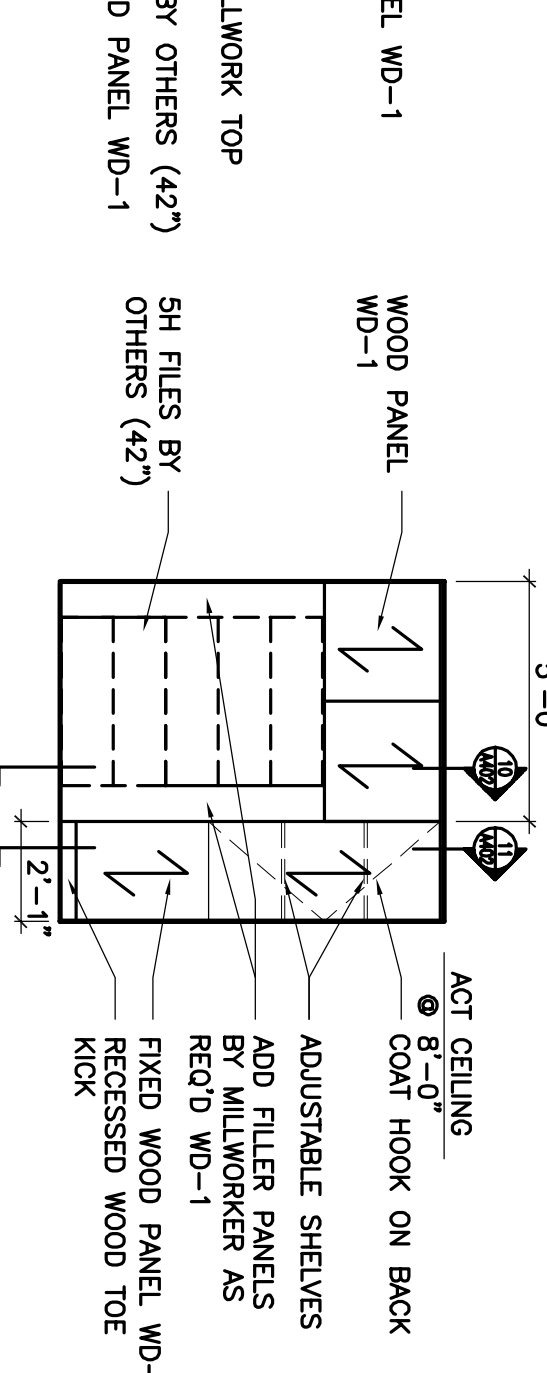
9 OPEN OFFICE 10.34
SCALE: 1/4"=1'-0"



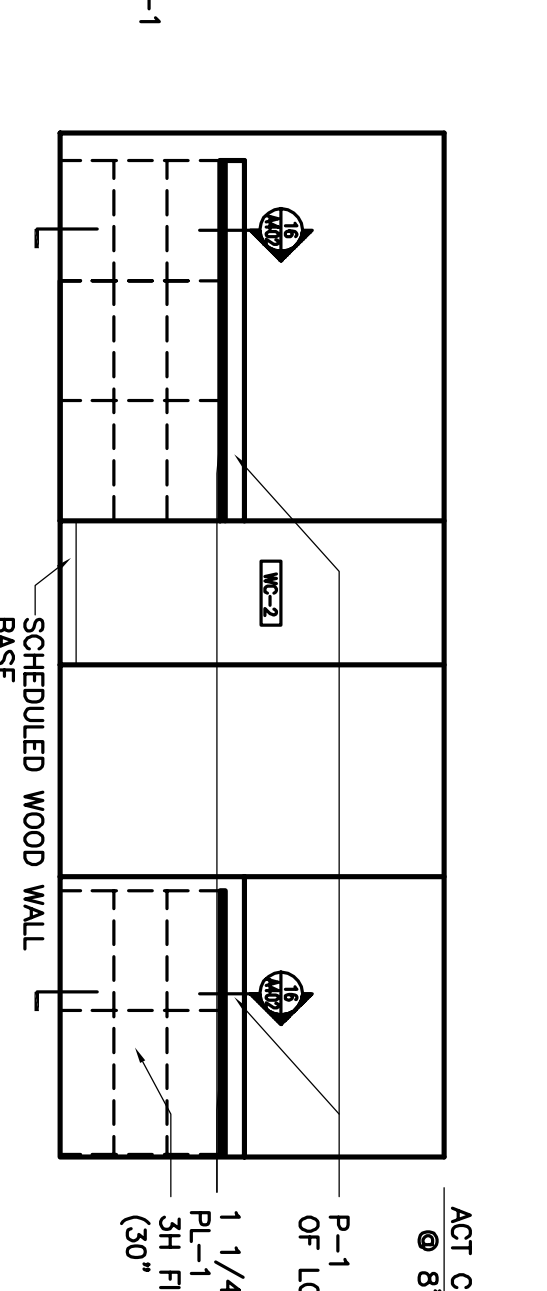
10 OPEN OFFICE 10.32
SCALE: 1/4"=1'-0"



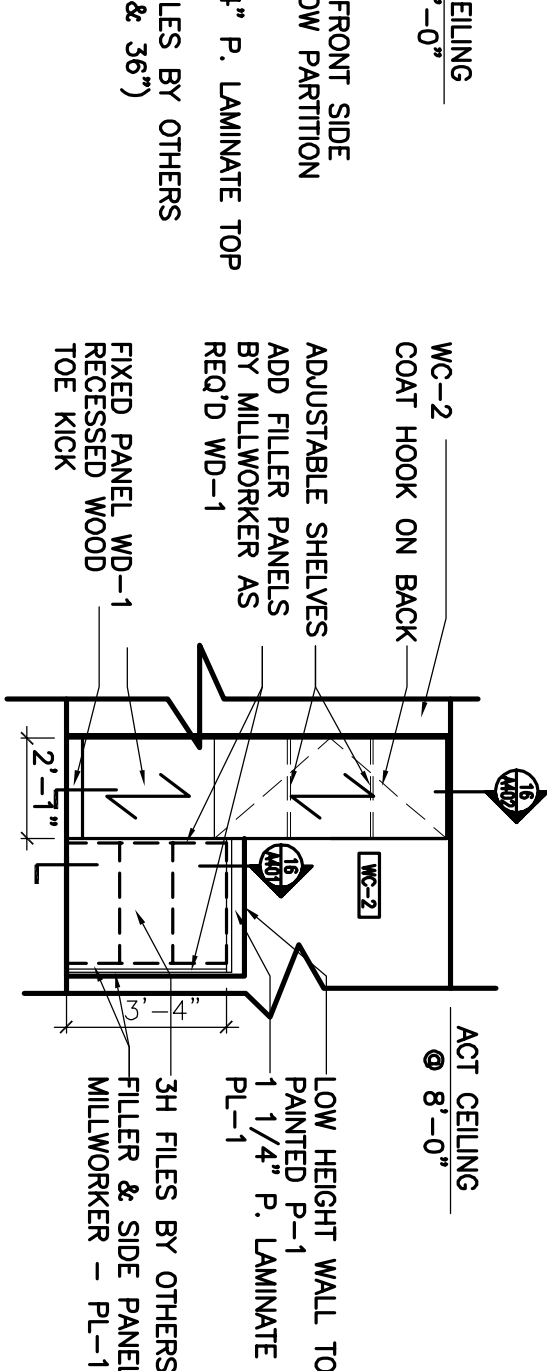
11 OPEN OFFICE 10.21
SCALE: 1/4"=1'-0"



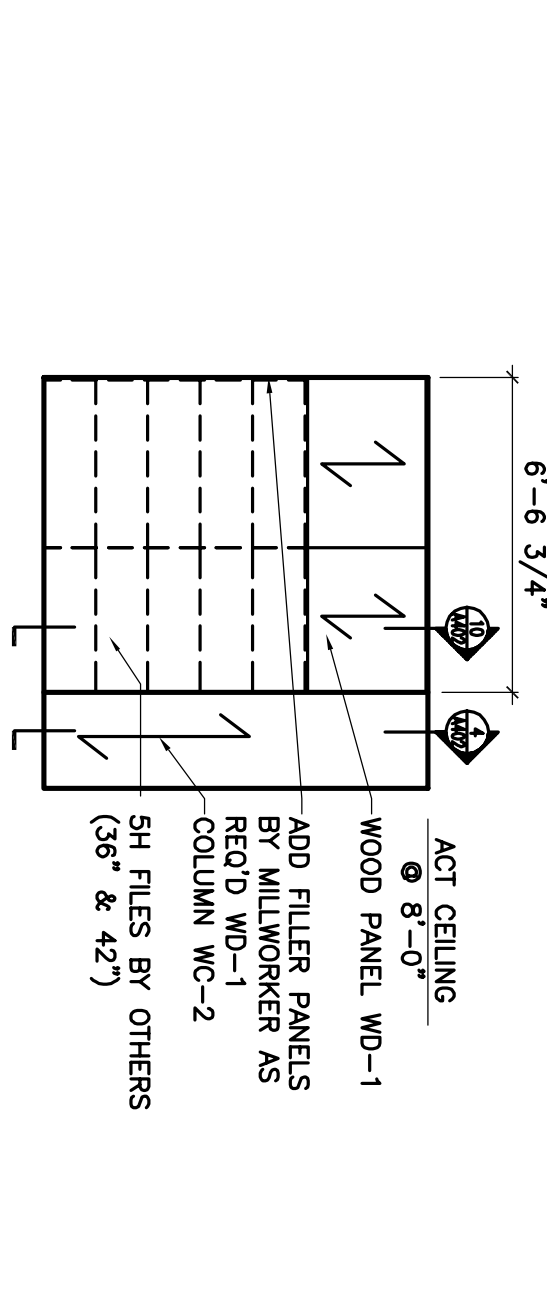
12 OPEN OFFICE 10.39
SCALE: 1/4"=1'-0"



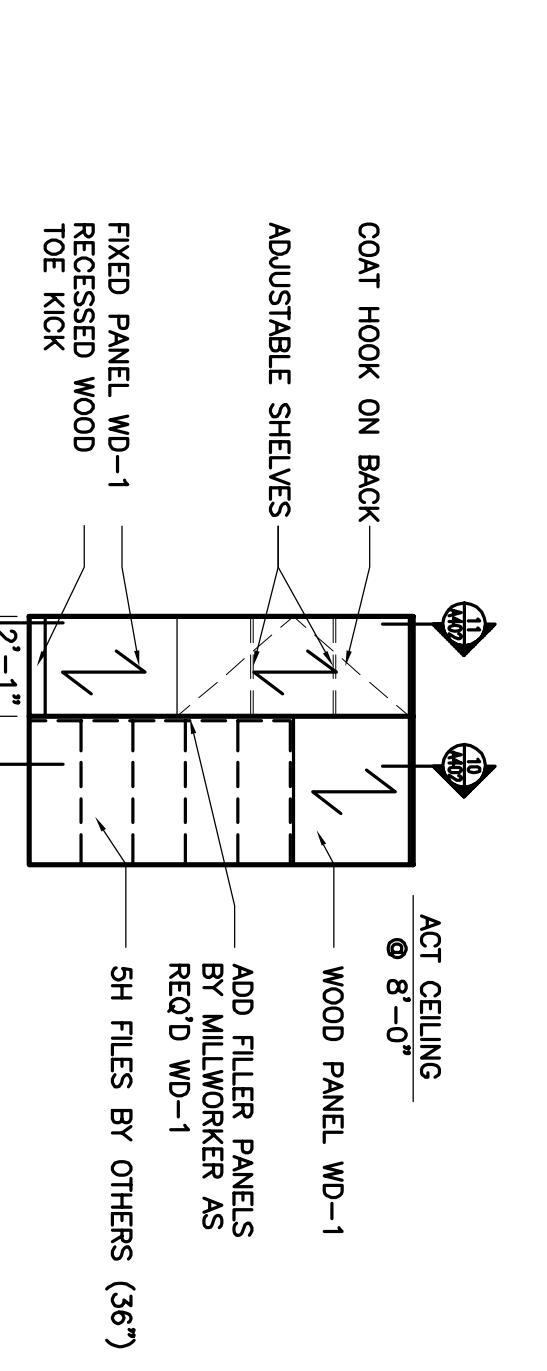
13 CORRIDOR 10.51
SCALE: 1/4"=1'-0"



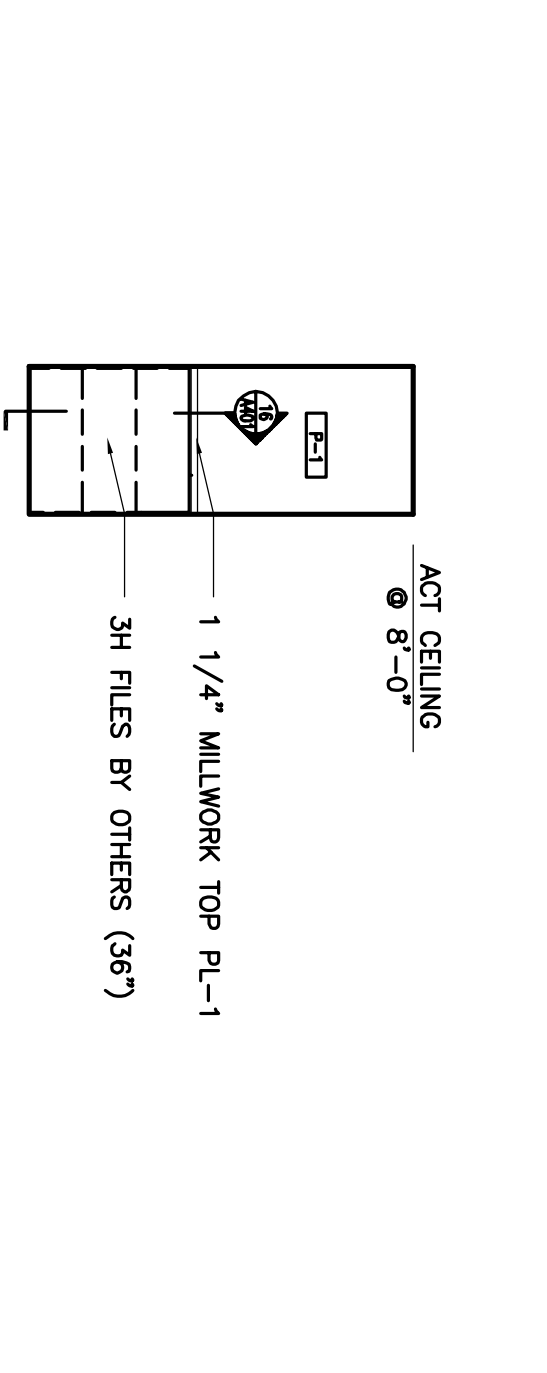
14 OPEN OFFICE 10.05
SCALE: 1/4"=1'-0"



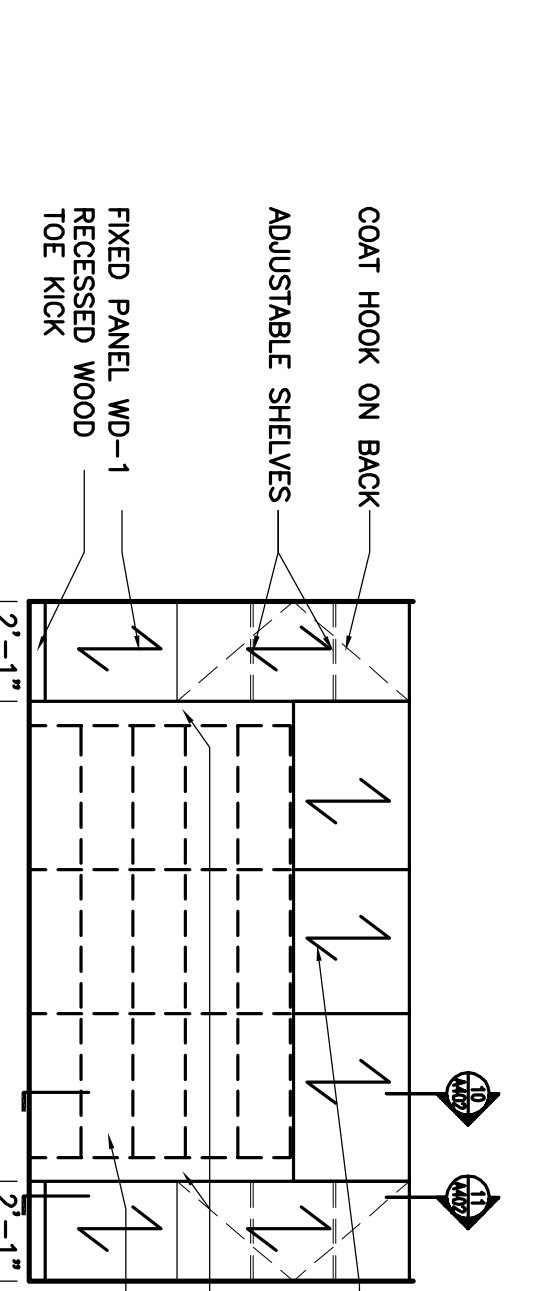
15 OPEN OFFICE 10.05
SCALE: 1/4"=1'-0"



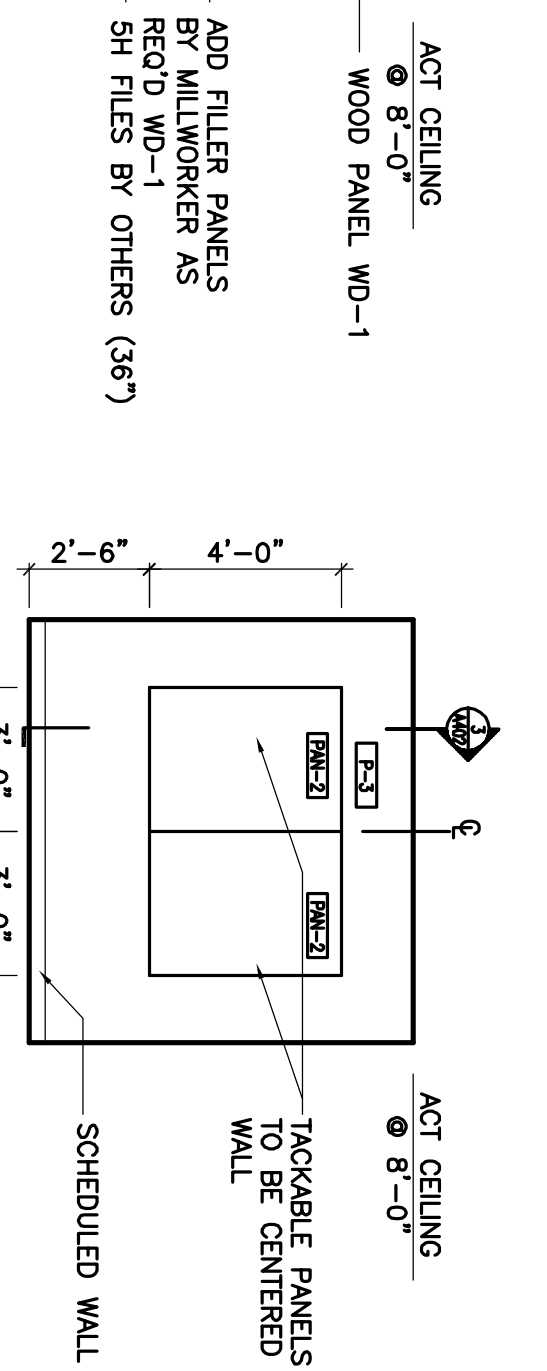
16 CORRIDOR 10.50
SCALE: 1/4"=1'-0"



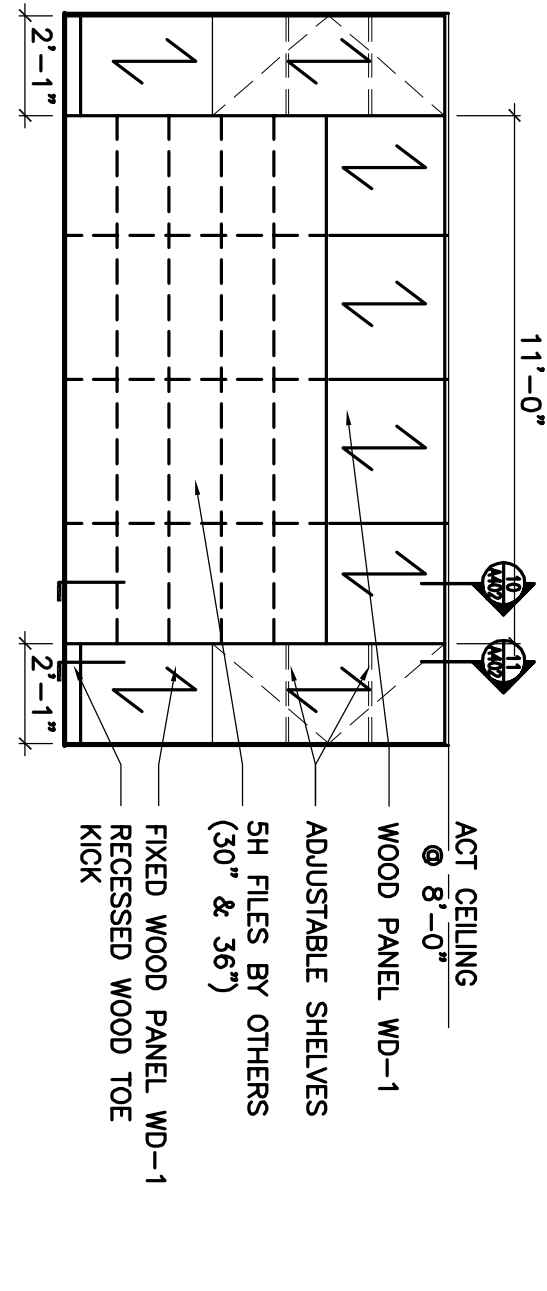
17 CORRIDOR 10.49
SCALE: 1/4"=1'-0"



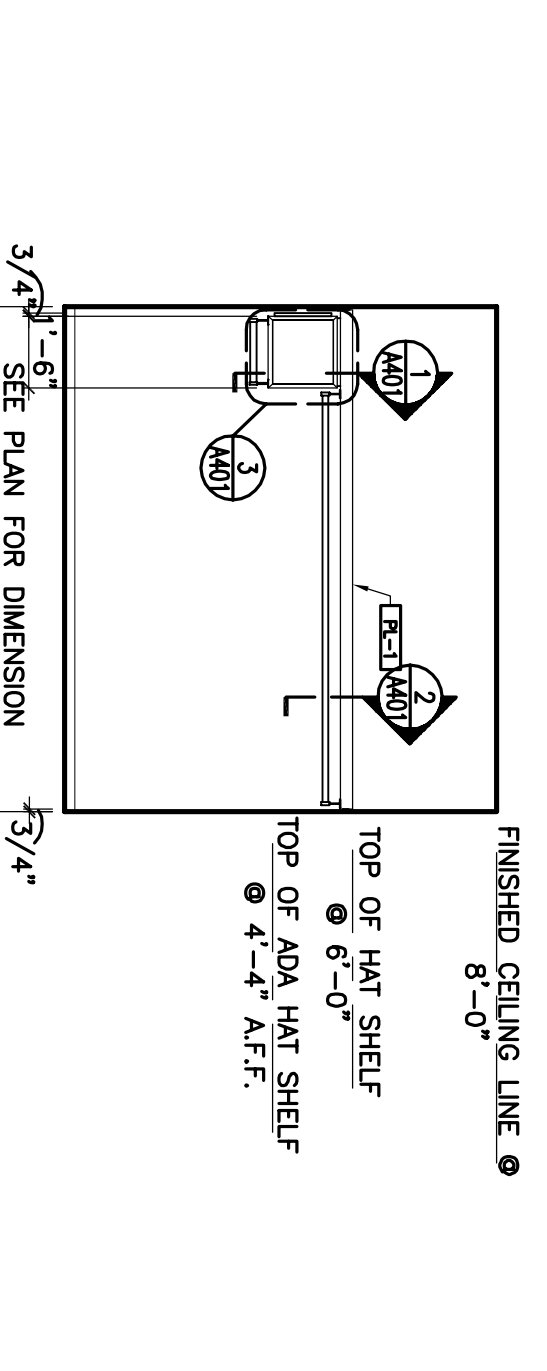
18 OPEN OFFICE 10.06
SCALE: 1/4"=1'-0"



19 PANTRY 10.03
SCALE: 1/4"=1'-0"

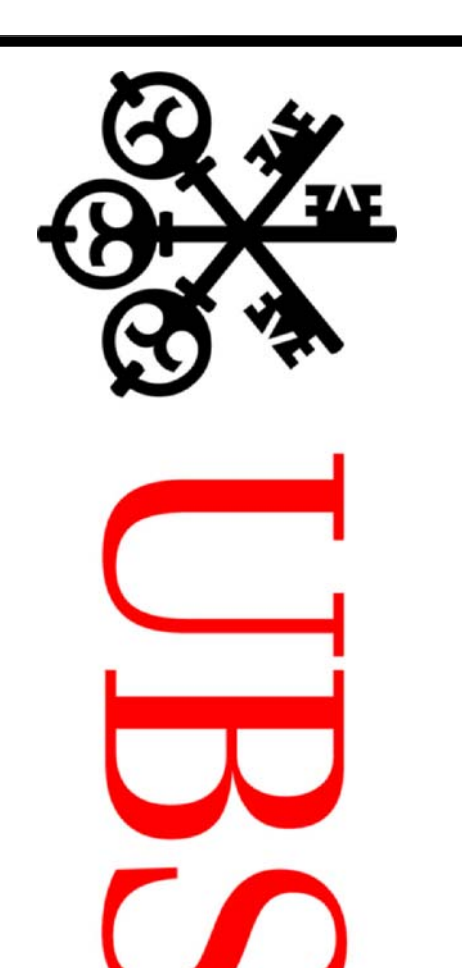


20 OPEN OFFICE 10.40
SCALE: 1/4"=1'-0"



21 TYPICAL CLOSET ELEVATION
SCALE: 1/4"=1'-0"

NO.	DATE	DESCRIPTION



NO.	DATE	COPIES	ISSUE	TO WHOM
2	07.13.07		ISSUE FOR BID	
1	07.13.07		ISSUE FOR PERMIT	
	06.26.07		ISSUE FOR CLIENT REVIEW	
	06.13.07		ISSUE TO ENGINEER	

PROJECT NUMBER	107126.01	ELEVATIONS
SCALE	1/4"=1'-0"	UBS
DATE	07.13.07	ONE CITY CENTER
PROJECT ARCHITECT	AE	PORTLAND, ME 04101

PROJECT ARCHITECT	AE
DRAWN BY	AE
CHECKED BY	
CAD FILE	R:\3007\107126\101

A-202