

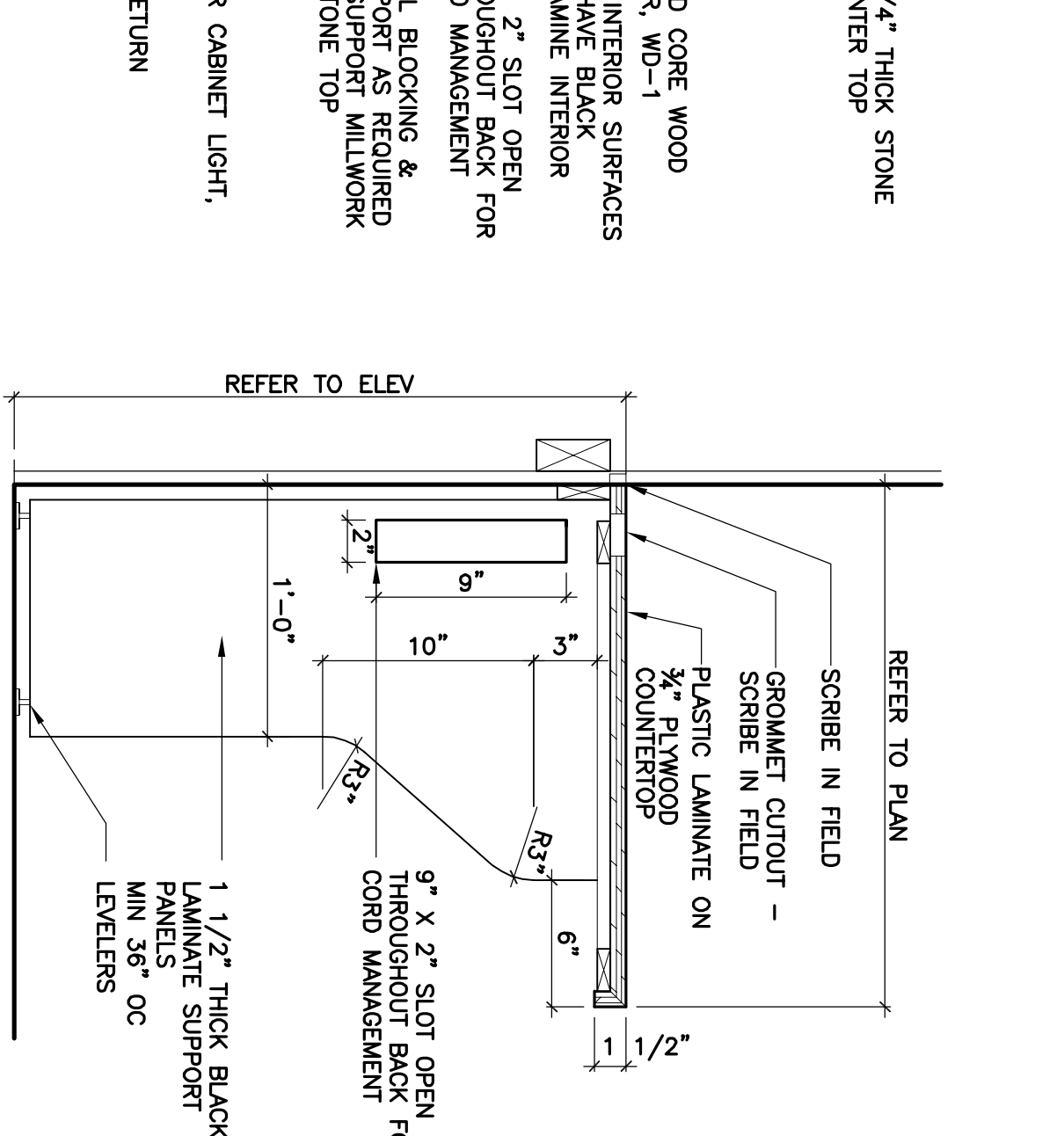
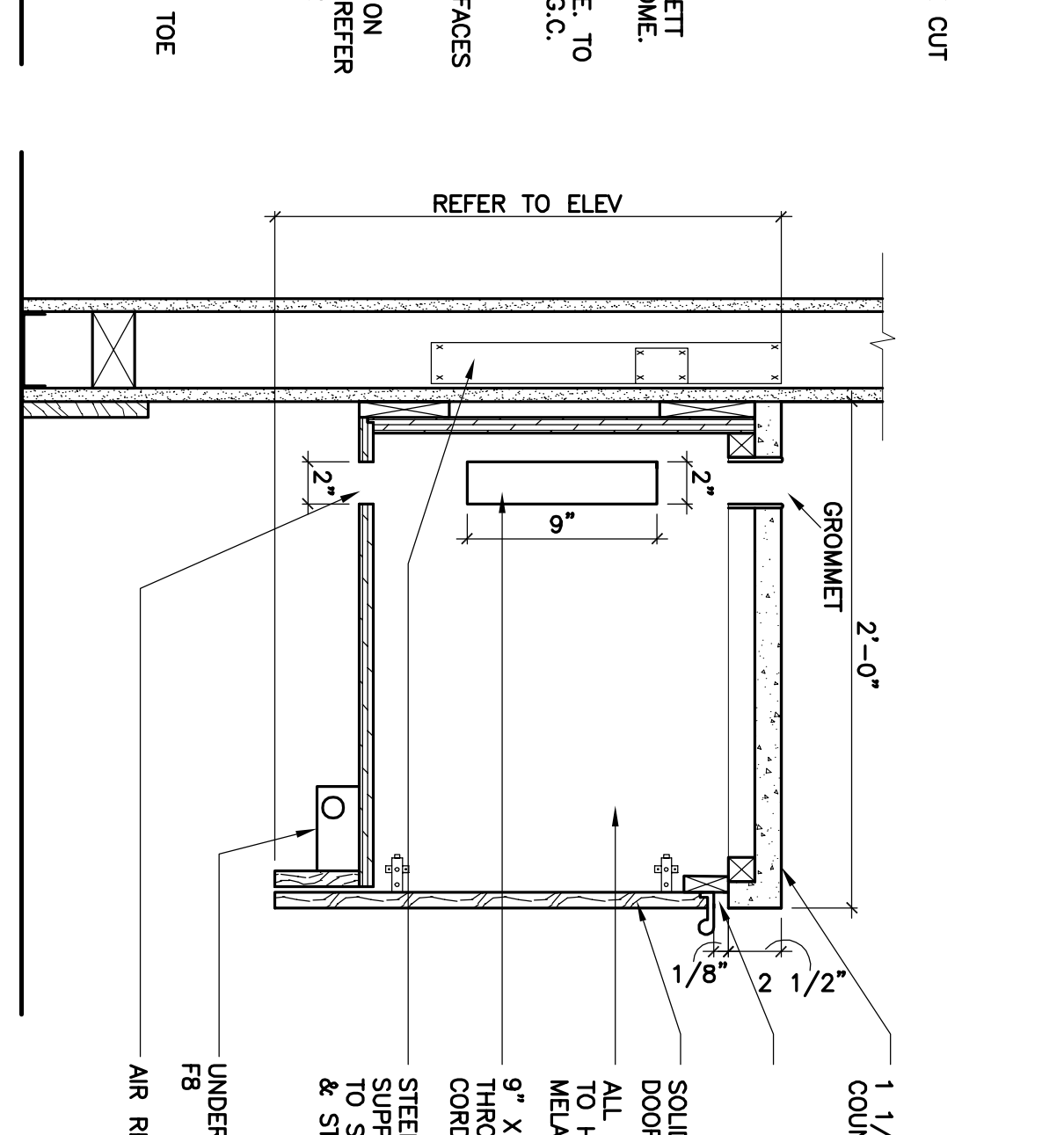
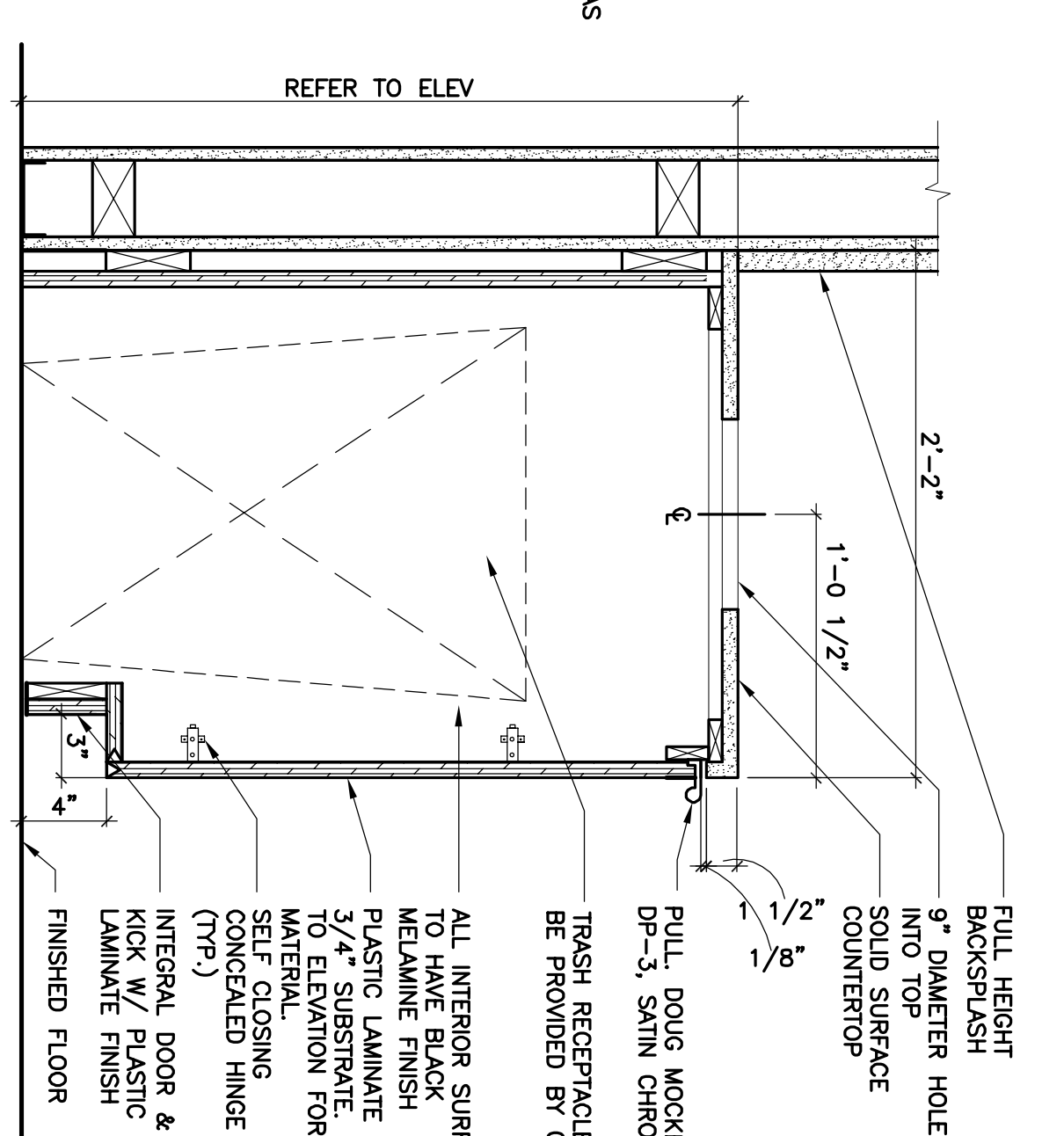
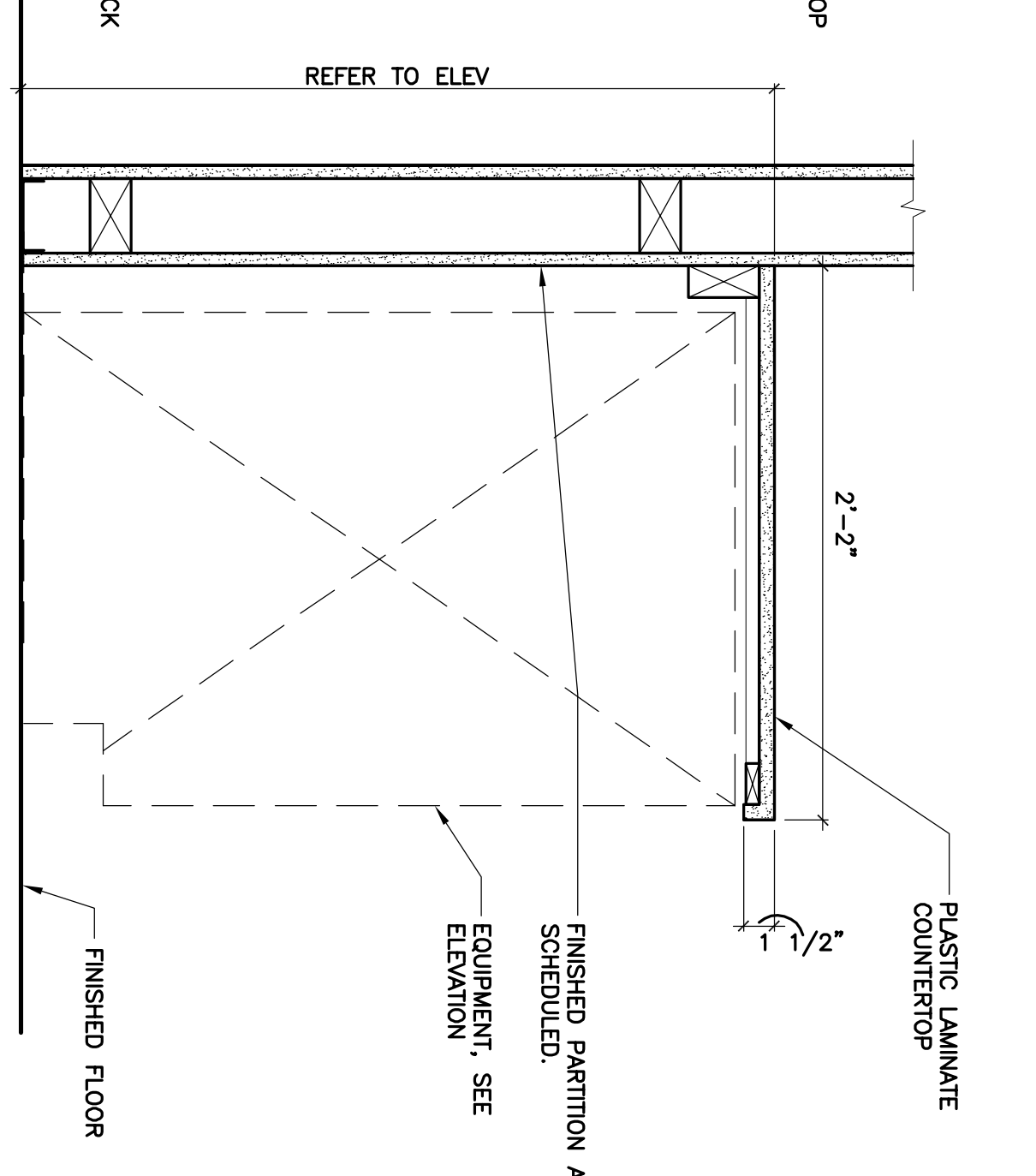
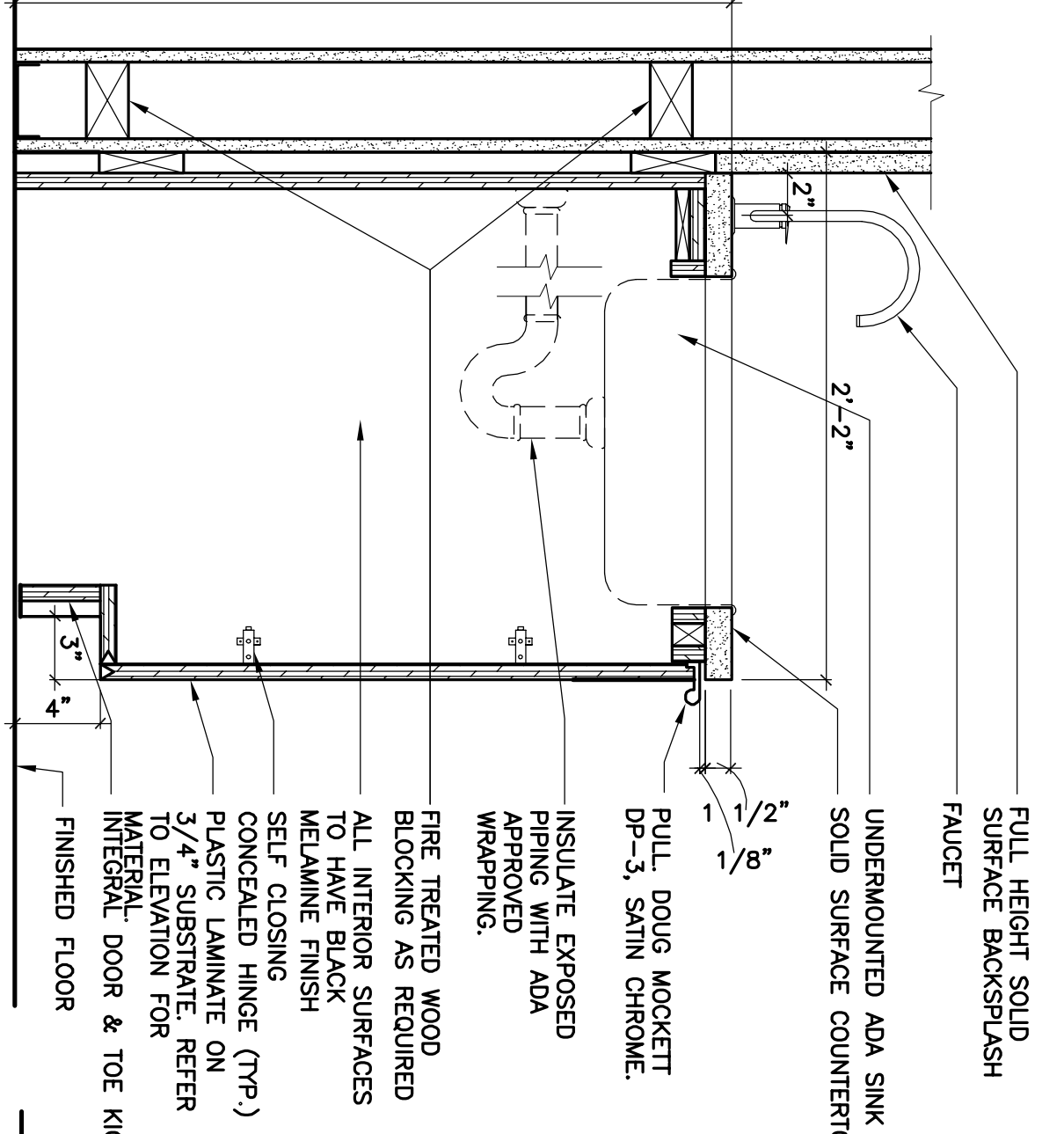
1 SECTION @ ADA SECTION OF CLOSET  
SCALE: 1/2"=1'-0"

2 SECTION @ COAT CLOSET  
SCALE: 1/2"=1'-0"

3 ELEVATION @ COAT CLOSET  
SCALE: 1/2"=1'-0"

4 EQUIPMENT CABINET  
SCALE: 1/2"=1'-0"

5 COUNTER WITHOUT BACKSPLASH  
SCALE: 1/2"=1'-0"



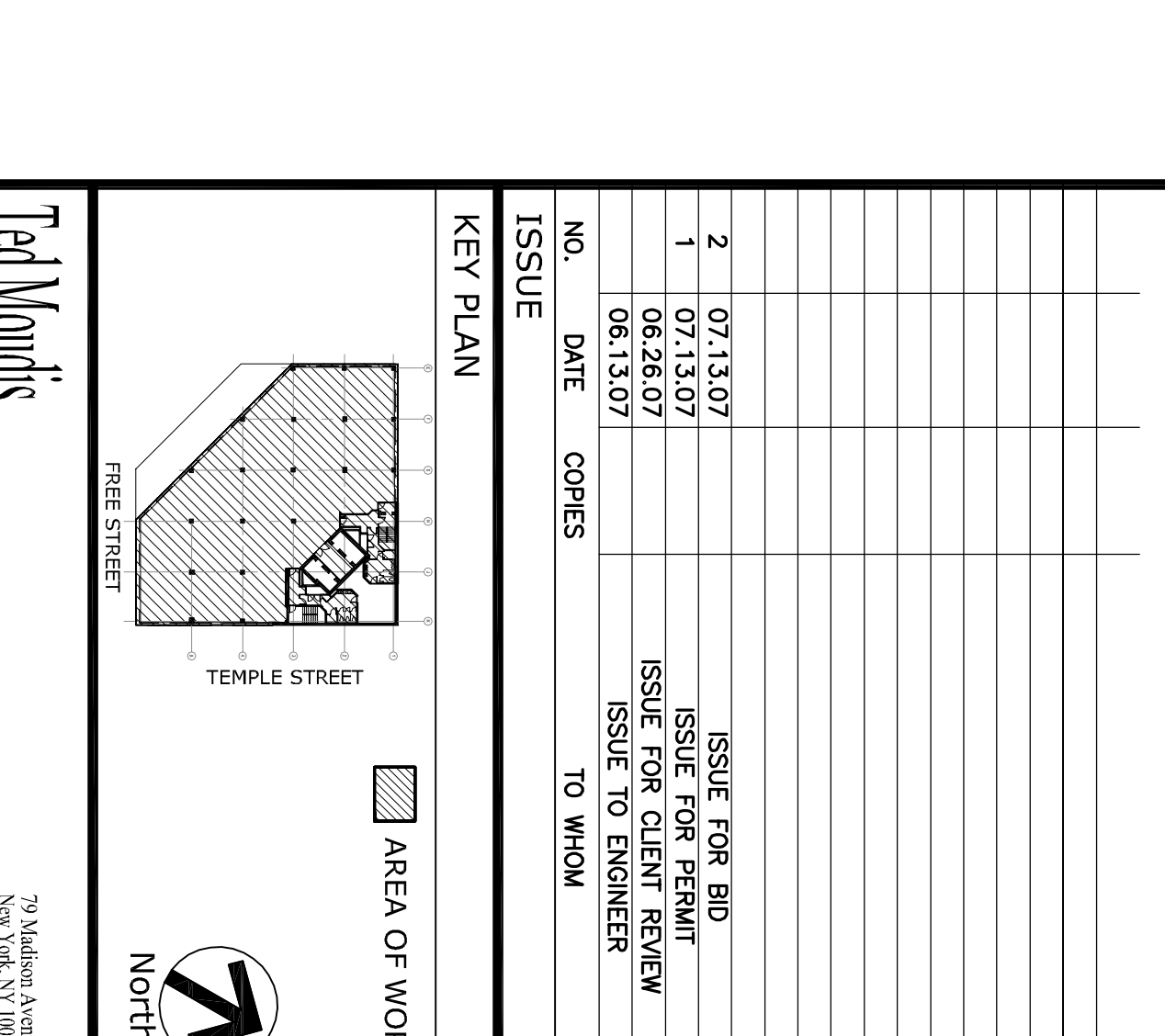
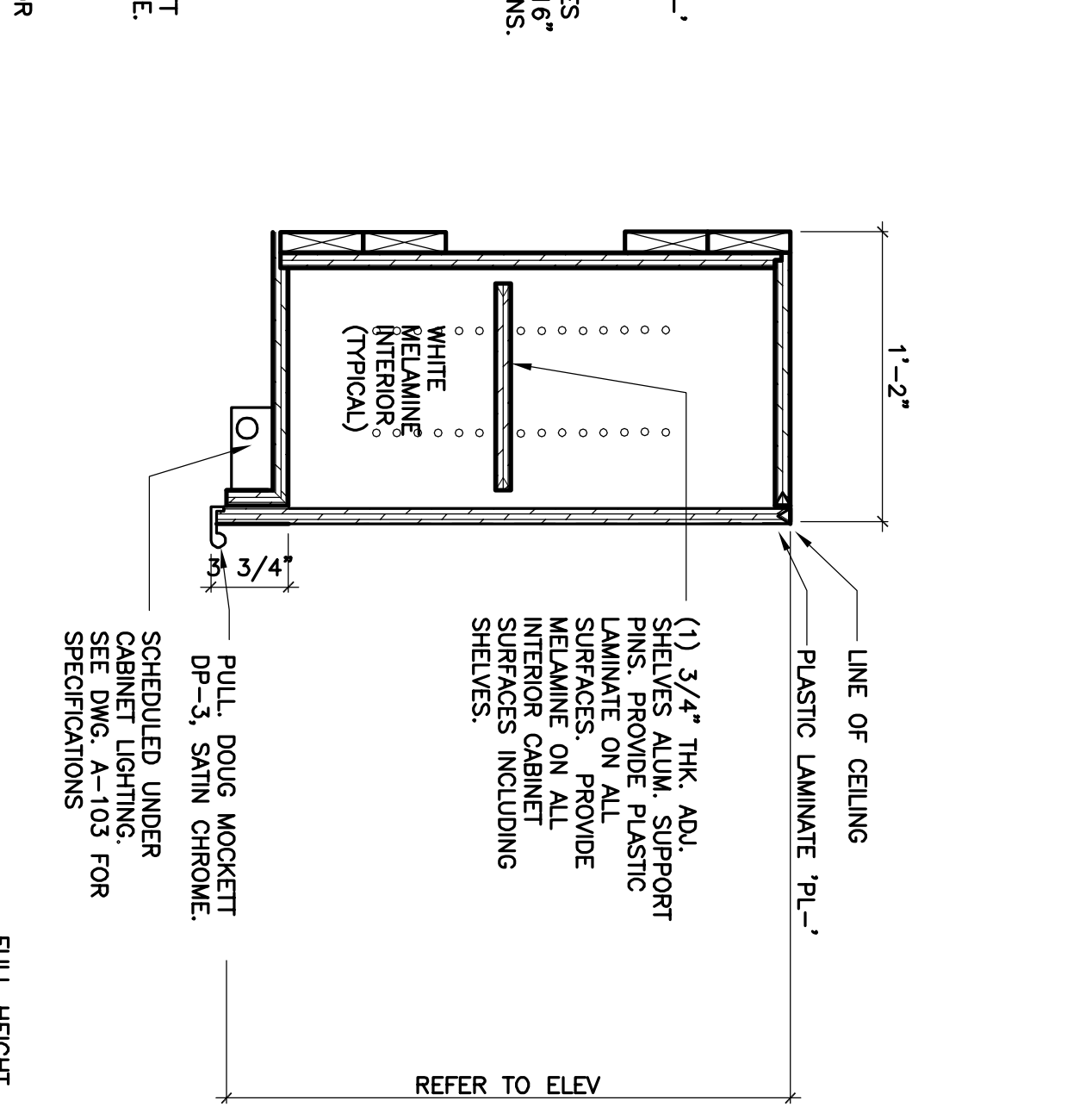
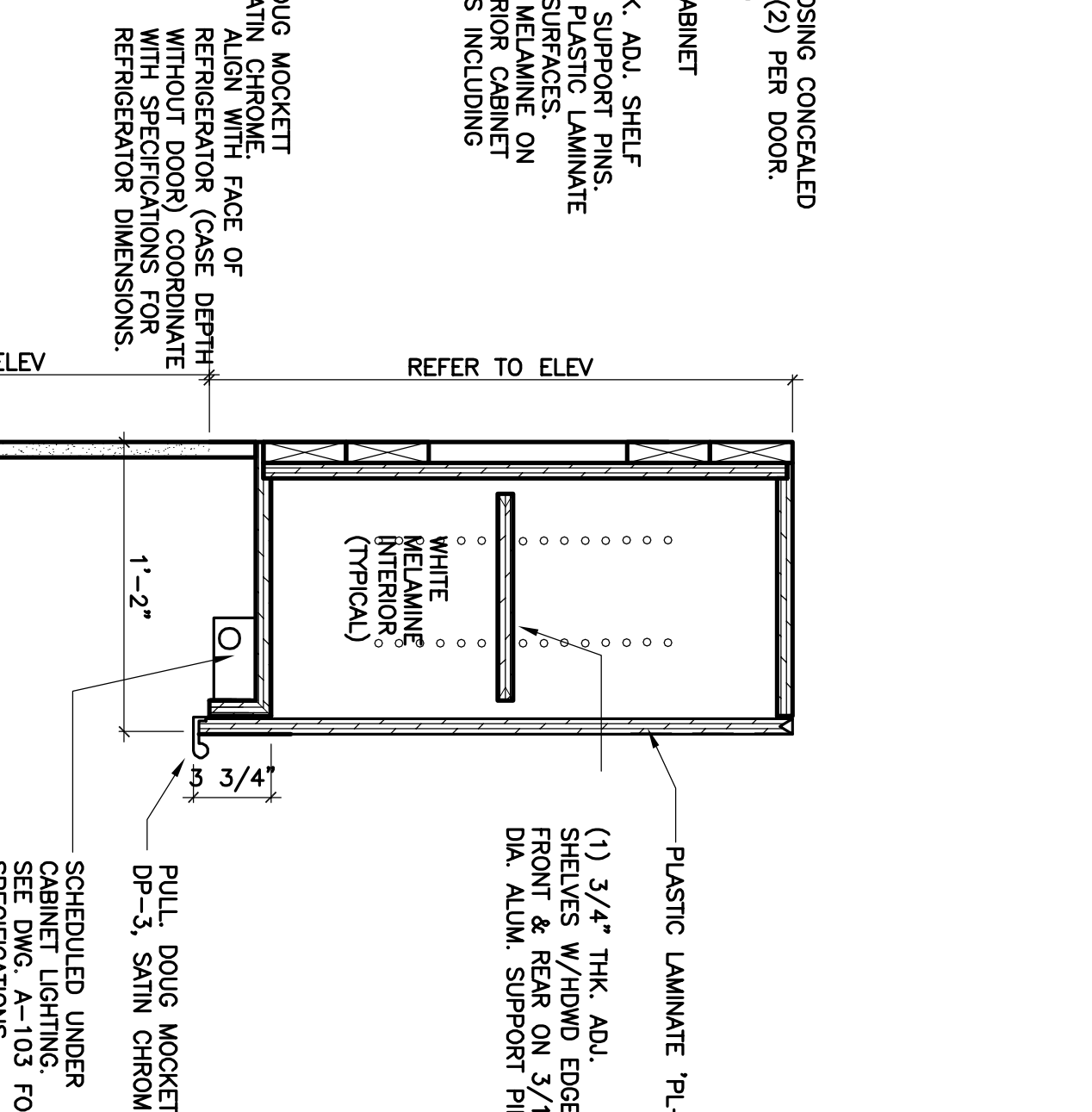
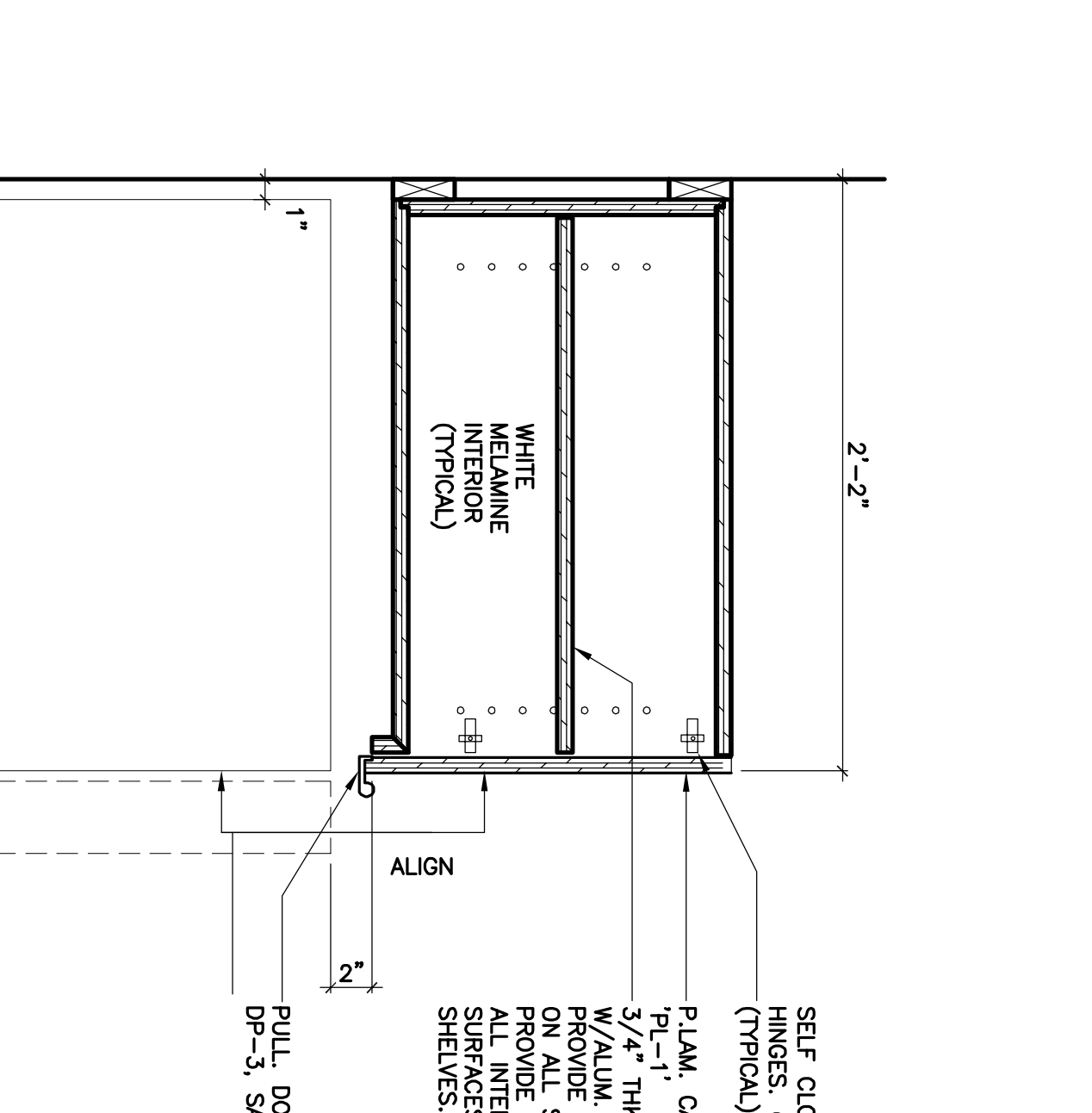
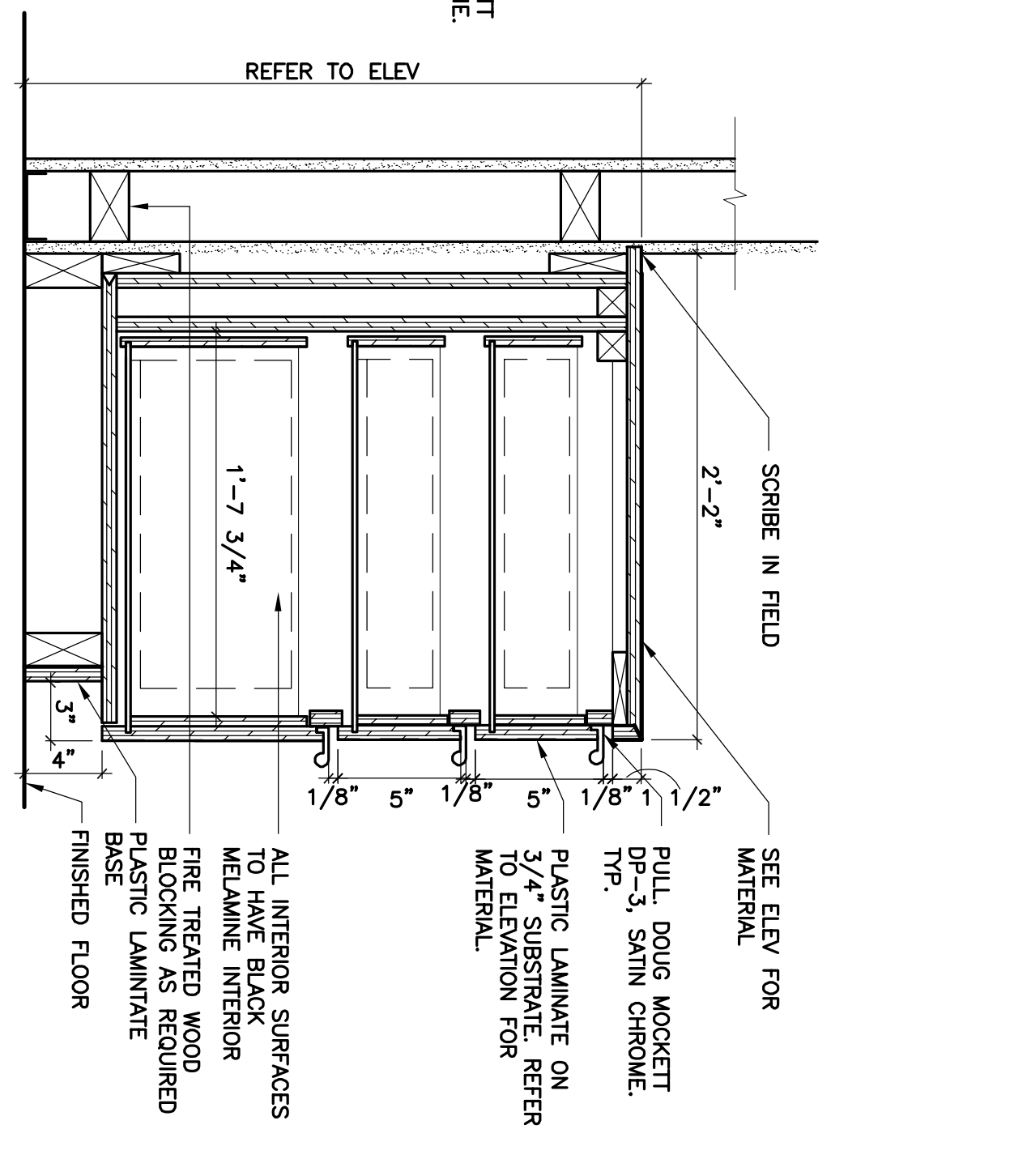
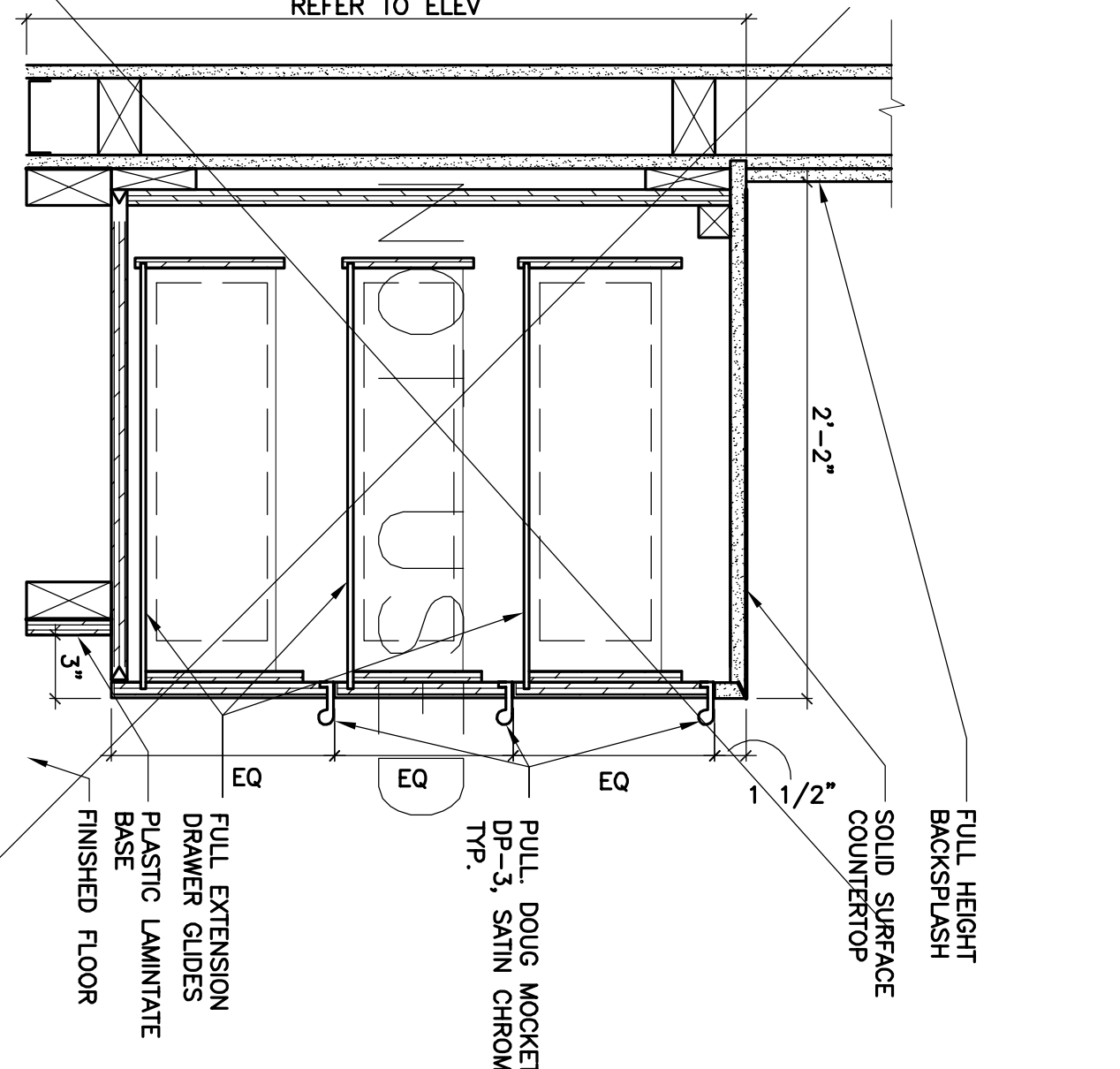
6 ADA SINK  
SCALE: 1/2"=1'-0"

7 SECTION @ UNDERCOUNTER EQUIPMENT/FILES  
SCALE: 1/2"=1'-0"

8 PANTRY TRASH DEPOSIT CABINET  
SCALE: 1/2"=1'-0"

9 CONFERENCE ROOM CREDENZA  
SCALE: 1/2"=1'-0"

10 SECTION THROUGH WORK COUNTER  
SCALE: 1/2"=1'-0"



11 THREE DRAWER CABINET IN PANTRIES  
SCALE: 1/2"=1'-0"

12 COP/ROOM/OPERATIONS BOX/BOX/FILE  
SCALE: 1/2"=1'-0"

13 SECTION @ PANTRIES  
SCALE: 1/2"=1'-0"

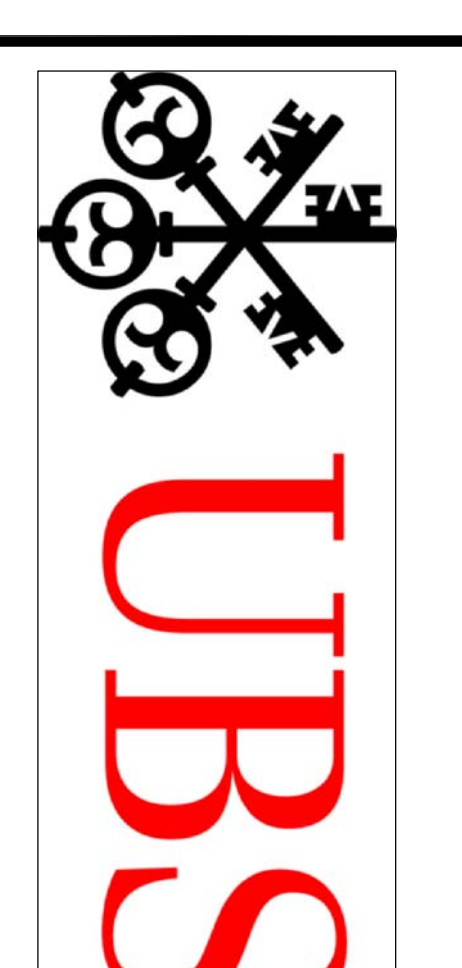
14 SECTION @ PANTRIES  
SCALE: 1/2"=1'-0"

15 SECTION @ OVERHEAD CABINETS  
SCALE: 1/2"=1'-0"

16 COUNTERTOP OVER FILE CABINETS  
SCALE: 1/2"=1'-0"

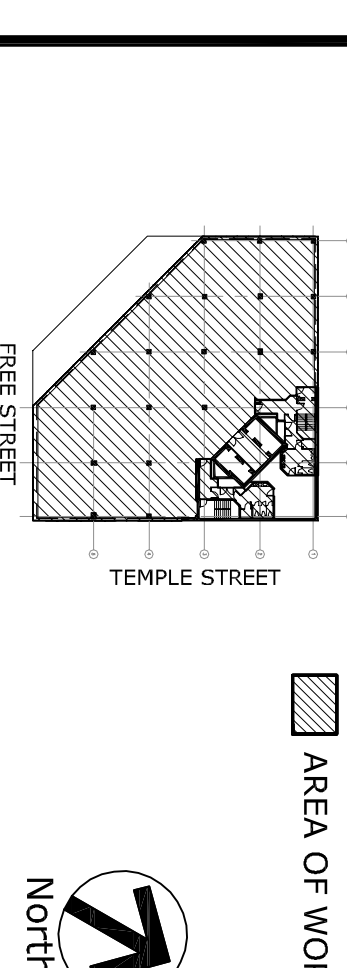
17 COUNTERTOP W/DRAWER AND EQUIPMENT SPACE  
SCALE: 1/2"=1'-0"

18 TRASH DEPOSIT CABINET - SIDE DEPOSIT  
SCALE: 1/2"=1'-0"



NO.	DATE	DESCRIPTION

NO.	DATE	COPIES	ISSUE	TO WHOM
2	07/13/07		ISSUE FOR BID	
1	07/13/07		ISSUE FOR PERMIT	
1	06/26/07		ISSUE FOR CLIENT REVIEW	
1	06/13/07		ISSUE TO ENGINEER	



**Ted Moates Associates**  
ARCHITECTURE  
INTERIOR DESIGN  
WORK (GROUP)

One Financial Place  
New York, NY 10017  
Tel: 212 261 8000  
Fax: 212 261 8000  
www.tedmoates.com

PROJECT NUMBER: 107126.01  
SCALE: AS NOTED  
DATE: 07/13/07  
PROJECT MANAGER: [Name]  
PROJECT ARCHITECT: [Name]  
DRAWN BY: AE  
CHECKED BY: [Name]  
CADD FILE: R:\A007\107126\A01

7th & 10th FL. MILLWORK DETAILS  
UBS  
ONE CITY CENTER  
PORTLAND, ME 04101

A-401