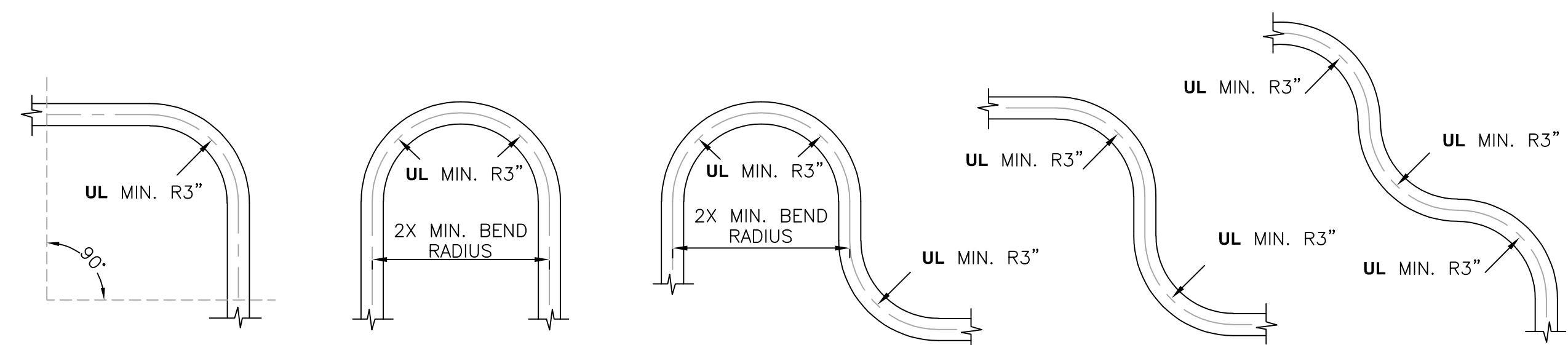
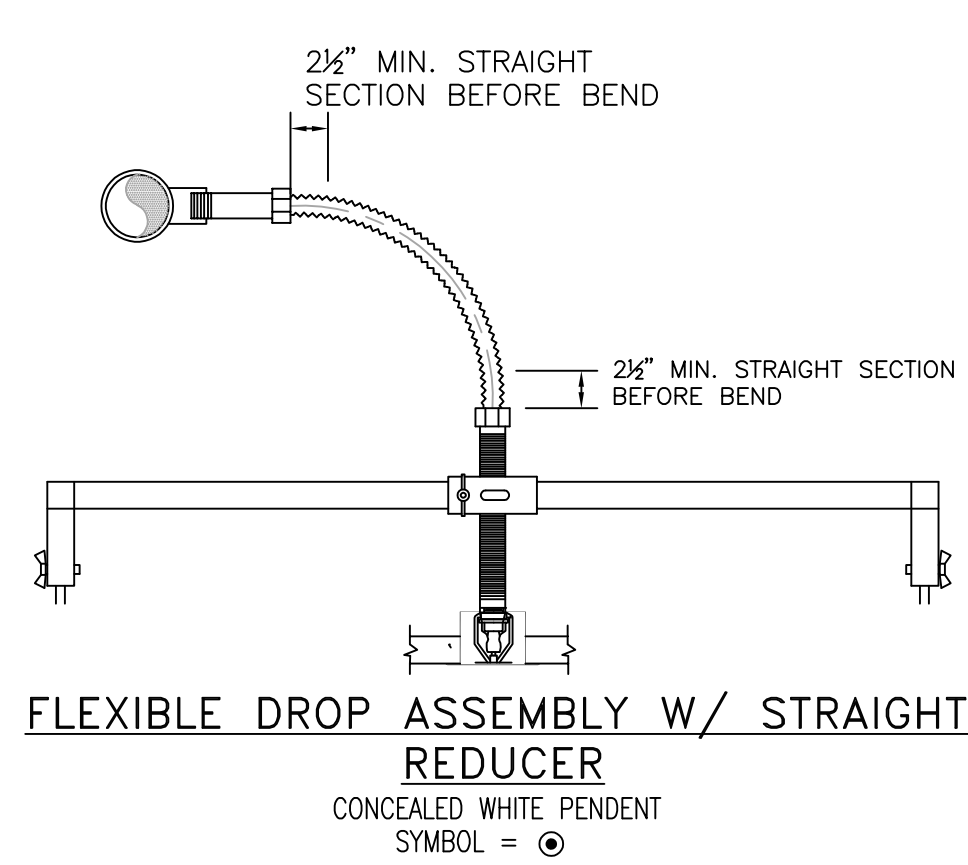


INDICATES EXISTING PIPE
 INDICATES NEW PIPE

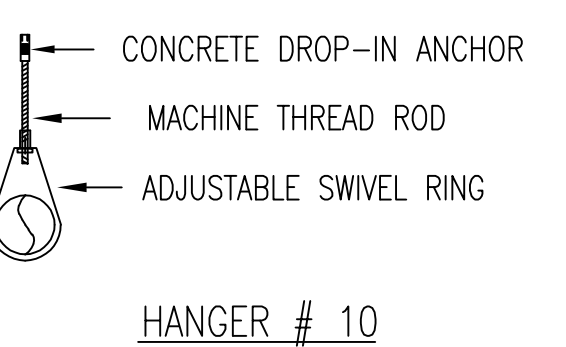


VICFLEX AH1 HOSE BEND CHARACTERISTICS
 NOTE: FOR OUT-OF-PLANE (THREE DIMENSIONAL) BENDS, CARE MUST BE TAKEN TO AVOID IMPARTING TORQUE ON THE HOSE



**FIRE SPRINKLER PLAN
 SECOND FLOOR TENANT SPACE**

SCALE: 1/4"=1'
 AREA PROTECTED: 3139 SQ.FT.
 FINISH FLOOR ELEVATION: 100.0
 COLOR CODE: WHITE



Sprinkler Head Schedule				
Symbol	Count	Thread	K-Factor	Description
⊙	35	1/2"	5.6	RELIABLE F1FR56 WHITE RECESSED PENDENT 200' RA1414
35 = Total Number of Heads 2ND FLOOR				

GENERAL NOTES	DATE	REVISIONS	REQUIRED APPROVALS	ONE CITY CENTER PORTLAND ME.	FIRE SPRINKLER PLANS & DETAILS
SPRINKLER SYSTEM INSTALLATION TO COMPLY WITH NFPA PAMPHLET # 13 BRANCH LINE PIPING TO BE BLACK SCHEDULE 40 JOINED BY THREADED DUCTILE IRON FITTINGS MAIN PIPING TO BE SCHEDULE # 10 BLACK WITH GROOVED ENDS & WELDED OUTLETS JOINED BY MECHANICAL COUPLINGS OWNER TO PROVIDE SUFFICIENT HEAT THROUGHOUT BUILDING TO PREVENT FREEZING OF WATER FILLED SPRINKLER PIPING AND EQUIPMENT. (MIN 40' F)			OWNER / ARCHITECT STATE FIRE MARSHAL PORTLAND FIRE DEPT. DRAWN BY JAF NICET LEVEL CERT.# CHECKED BY GRD NICET LEVEL III CERT.# 09388 CONTRACTOR LICENSE # 101 CONTRACTOR RMS # 291	CONTRACT WITH: DIRIGO MANAGEMENT EASTERN FIRE PROTECTION AUBURN/LEWISTON INDUSTRIAL AIRPARK, AUBURN, MAINE 04210	DWG. NO. 1 OF 1 JOB NUMBER TN 5440 SCALE AS NOTED DATE 02/23/2018