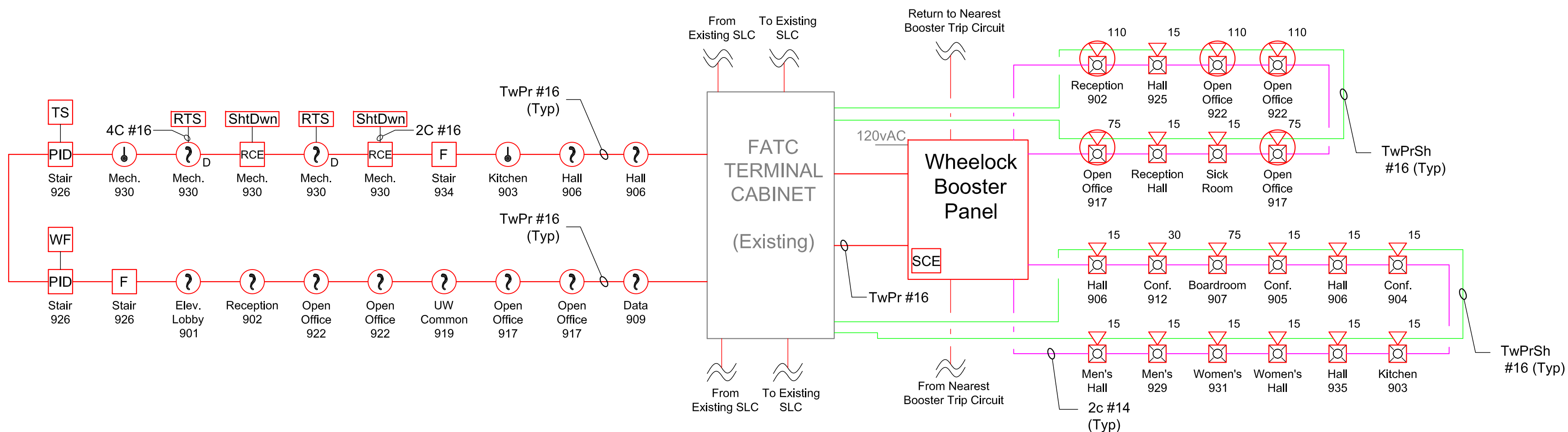
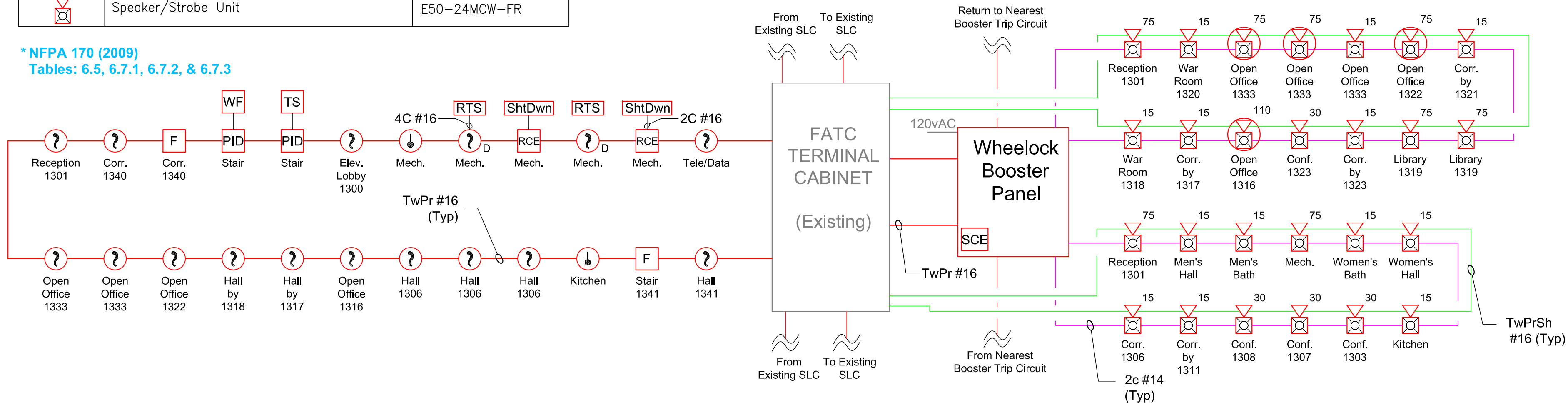


LEGEND:

RISER SYM	DESCRIPTION	CATALOG #
FATC	Fire Alarm Terminal Cabinet (existing)	
Booster	Remote Booster Panel	HPFF8
?	Smoke Detector w/Base	XP-95P XP95-B6EZ
F	Smoke Detector w/Base	MS-95T
? _D	Duct Smoke Detector w/Remote Test Switch	XP-95PD 30007-02
?	Heat Detector w/Base	XP-95T XP95-B6EZ
PID	Monitor Module	PID-95P
RCE	Control Module	RCE-95
SCE	Signal Module	SCE-95
⊗	Speaker/Strobe Unit Ceiling Mount	E60-24MCC-FR
⊗	Speaker/Strobe Unit	E50-24MCW-FR

* NFPA 170 (2009)
Tables: 6.5, 6.7.1, 6.7.2, & 6.7.3



1. ALL WIRING IN ACCORDANCE WITH NATIONAL ELECTRICAL CODE, STATE OF MAINE BUILDING CODE, AND MANUFACTURER'S REQUIREMENTS & RECOMMENDATIONS
2. ALL ADDRESSABLE DEVICES MUST BE INSTALLED IN A HEATED LOCATION.

WIRING NOTES:

1. Addressable Loop consists of: (1) 2c #16 Twisted Non-shielded from FATC to 1st device; (1) 2c #16 Twisted Non-shielded through remaining devices on circuit and return to FATC. Maintain proper separation between feeds and returns.
2. Strobe circuits consist of a minimum: 2c #14 from Booster Panel to 1st device; 2c #14 through remaining devices on circuit and return to Booster Panel. Maintain proper separation between feeds and returns.
3. Speaker circuits consist of a minimum: TwPrSh #16 from FACT to 1st device; TwPrSh #16 through remaining devices on circuit and return to FATC. Maintain proper separation between feeds and returns.

DWG NAME: **One City Center**
Floor 9 & 13 Renovation
Portland, ME
Fire Alarm Riser Diagram
DWG NAME: FA_RSR

R.B. Allen
Co., Inc.
P.O. BOX 770
131 LAVERGATE RD
NO. PORTLAND, ME
1200-252-7564

One City Center
Floor 9 & 13 Renovation
Portland, ME
Fire Alarm Riser Diagram

JOB NAME:
CONTRACTOR:

SCALE:	NTS	REV.	DESCRIPTION	DATE	10/15	CLA	TRD
0	Original Issue						

PO No.
One City Center
Floor 9 & 13 Renovation
Portland, ME
Fire Alarm Riser Diagram
DWG NO. FA_RSR