

LEGEND:

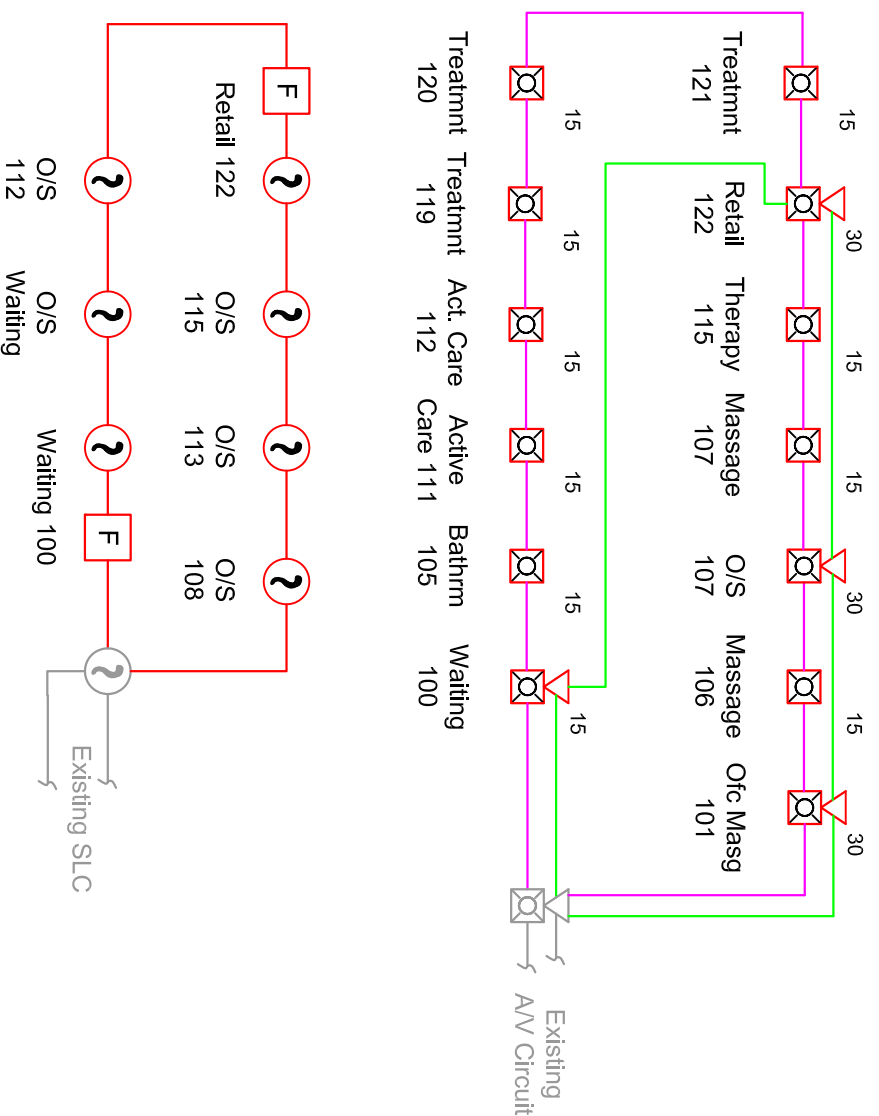
RISER SYM	DESCRIPTION	CATALOG #
②	Smoke Detector w/Base	XP-95P XP95-B6EZ
PID	Monitor Module for Remote Booster Panel	PID-95
☒	Strobe Unit	STR
☒	Speaker/Strobe Unit	ES0-24MCW-FR
F	Addressable Pull Station	MS-95T

General Notes:

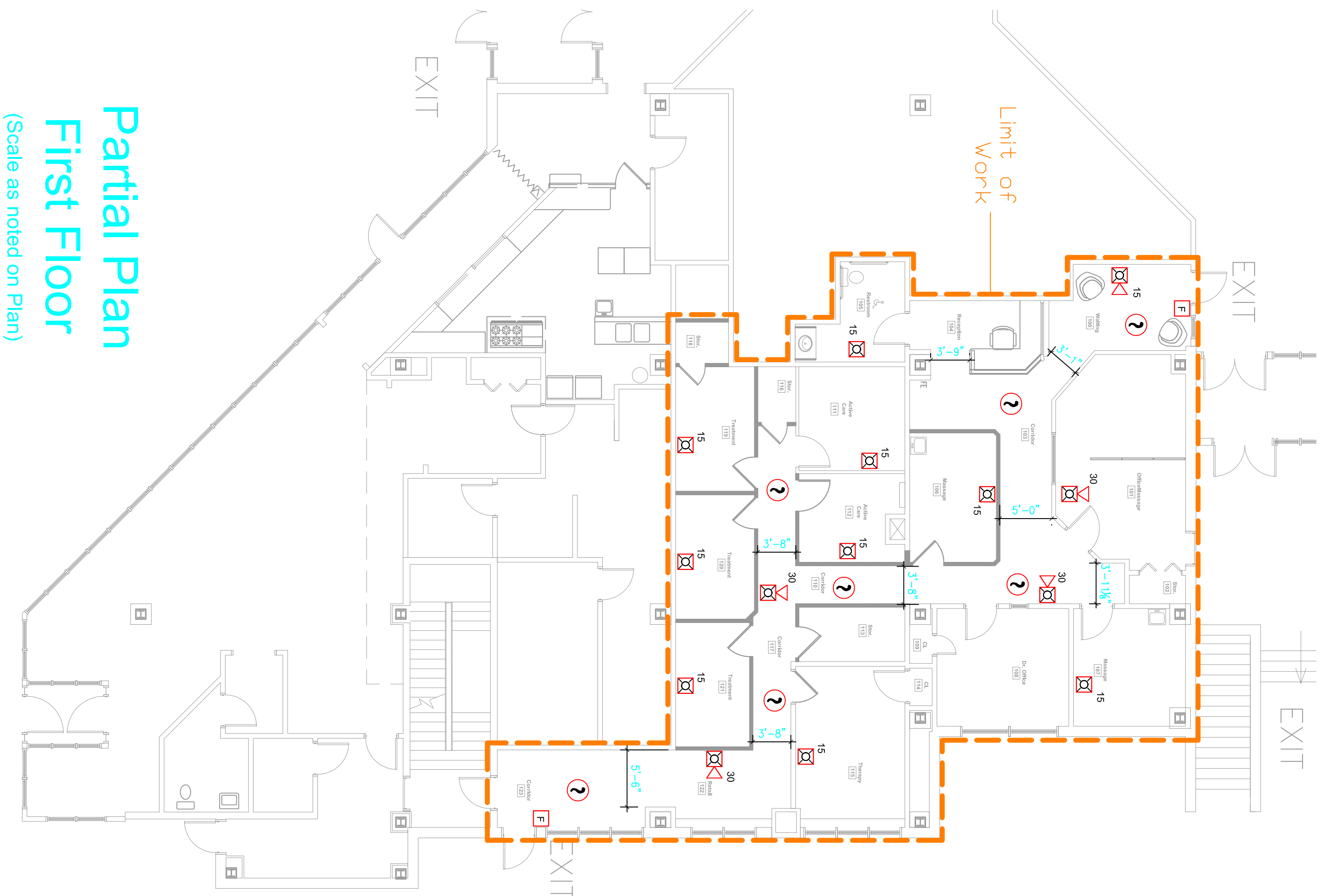
1. ALL WIRING IN ACCORDANCE WITH NATIONAL ELECTRICAL CODE, STATE OF MAINE BUILDING CODE, CITY OF PORTLAND, AND MANUFACTURERS REQUIREMENTS & RECOMMENDATIONS.
2. ALL ADDRESSABLE DEVICES MUST BE INSTALLED IN A HEATED LOCATION.

Wiring Notes:

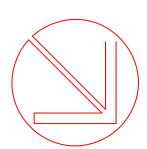
1. Addressable loop consists of (1) Twisted Pair #16 non-shielded cable from and to an existing addressable device.
2. Speaker circuit consists of (1) Twisted Pair #16 Shielded cable from and to an existing audio/visual device.
3. Strobe circuit consists of (1) 2c #14 cable from and to an existing audio/visual device.



Riser Diagram



**Partial Plan
First Floor**
(Scale as noted on Plan)



PD No. Absolute Health Chiropractic 1st Floor 1 City Center Portland, ME Fire Alarm Floor Plan DWG No. FA_1CC1	SCALE: 1/8" = 1'-0" (C Size Plot)	JOB NAME: Absolute Health Chiropractic 1st Floor 1 City Center Portland, ME Fire Alarm Floor Plan	R.B. Allen Co., Inc. <small>P.O. BOX 770 131 LAFAYETTE RD NO. HAMPTON, NH 03862 1-800-258-7264</small>	DWG NAME: Absolute Health Chiropractic 1st Floor 1 City Center Portland, ME Fire Alarm Floor Plan								
	<table border="1"> <thead> <tr> <th>REV.</th> <th>DESCRIPTION</th> <th>DATE</th> <th>DRWN:</th> <th>RW'D:</th> </tr> </thead> <tbody> <tr> <td>0</td> <td>Original Issue</td> <td>1/14</td> <td>KMB</td> <td>TRD</td> </tr> </tbody> </table>	REV.	DESCRIPTION	DATE	DRWN:	RW'D:	0	Original Issue	1/14	KMB	TRD	CONTRACTOR: Dirigo Management Company
REV.	DESCRIPTION	DATE	DRWN:	RW'D:								
0	Original Issue	1/14	KMB	TRD								