

Gawron Turgeon ARCHITECTS
 29 Black Point Road
 Scarborough, Maine 04074
 www.gawronturgeon.com
 207-883-6307 or 207-883-0361 fax

RED THREAD
 ONE CITY CENTER, FIRST FLOOR
 PORTLAND, MAINE

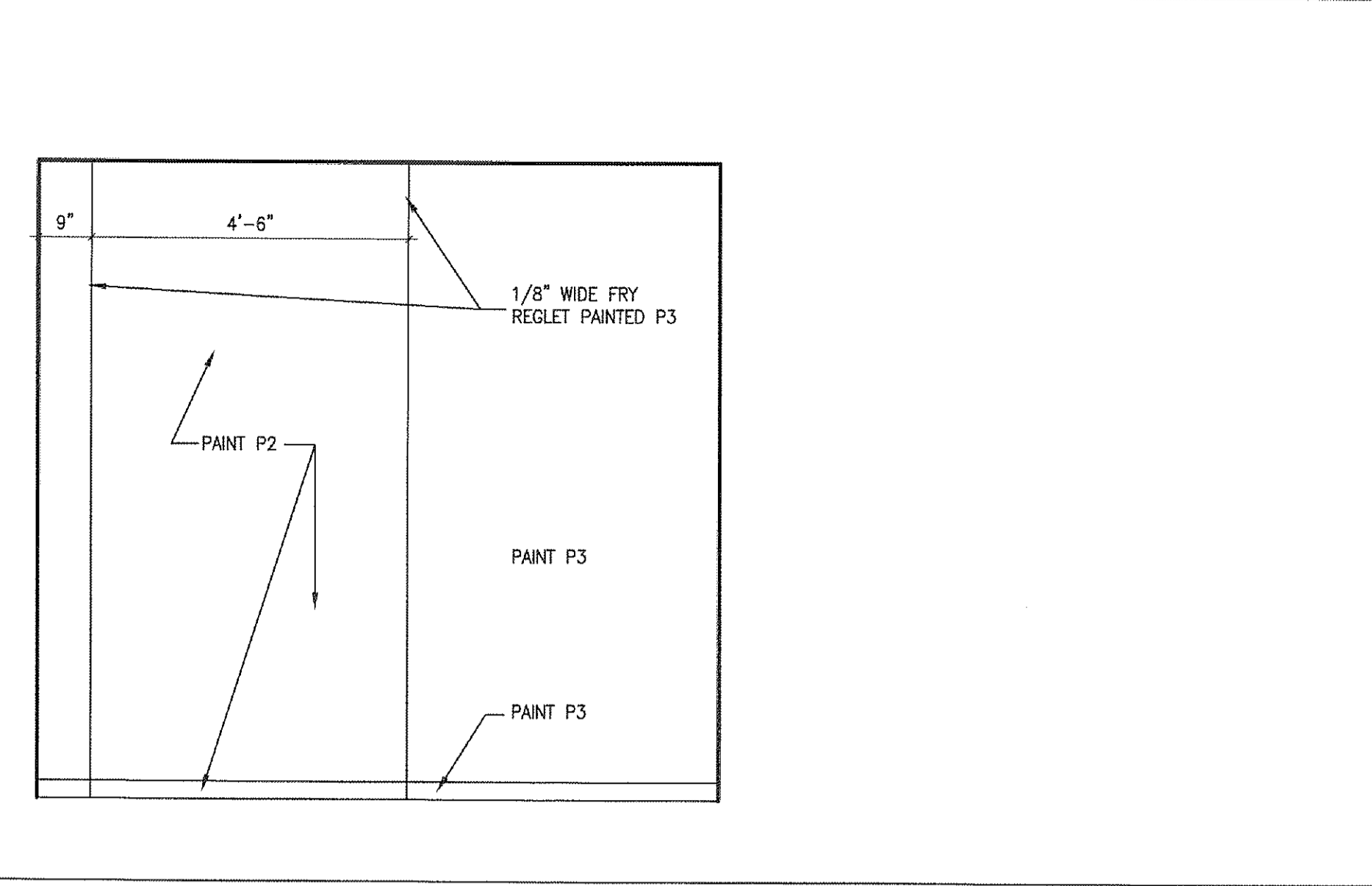
REVISIONS		
#	DATE	DESCRIPTION

DATE	08.28.13
PROJECT #	060413
DRAWN BY:	DLP
CHECKED BY:	SWG
DRAWING SCALE	AS NOTED

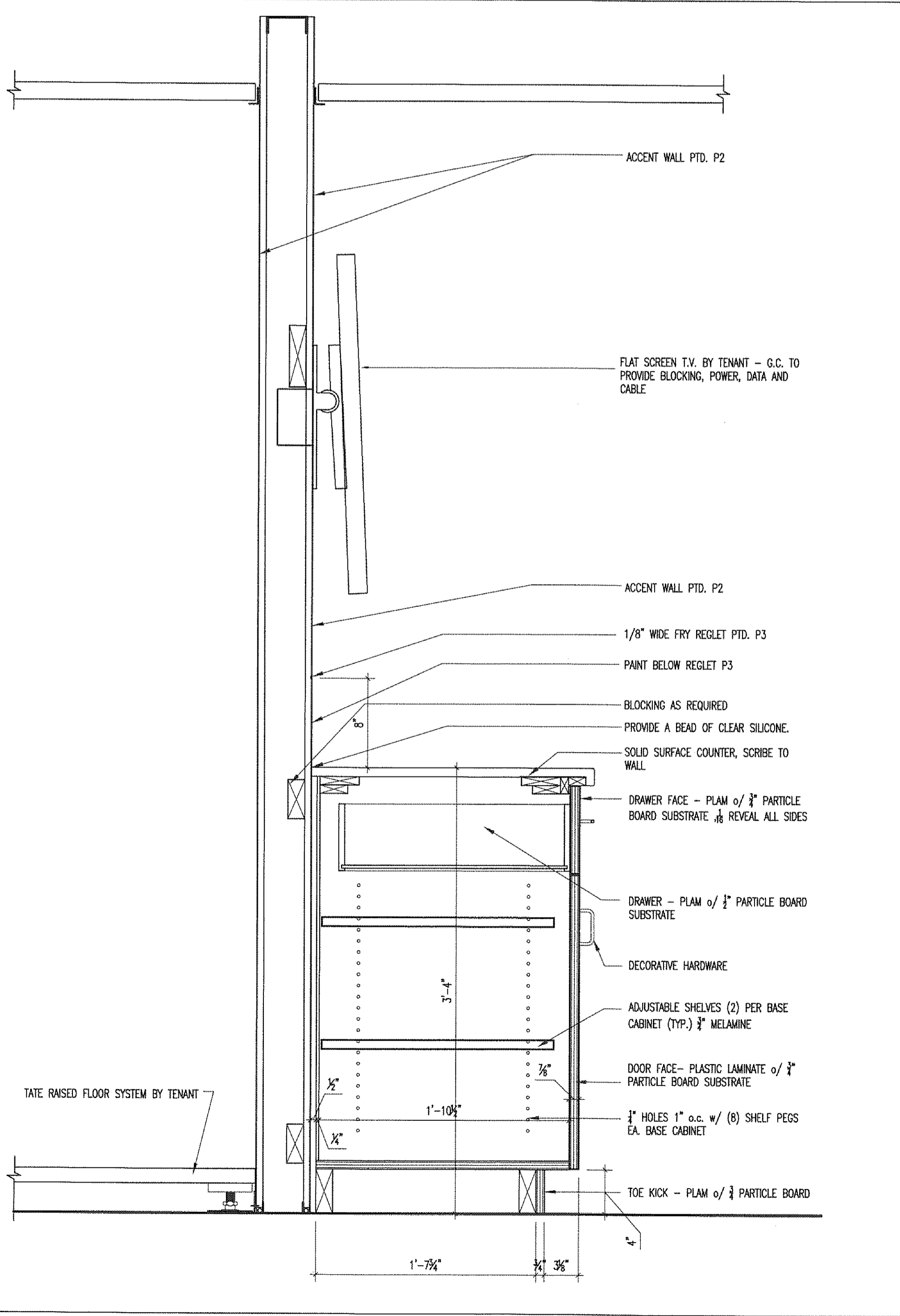
SHEET TITLE
 INTERIOR ELEVATIONS
 INTERIOR DETAILS

A910

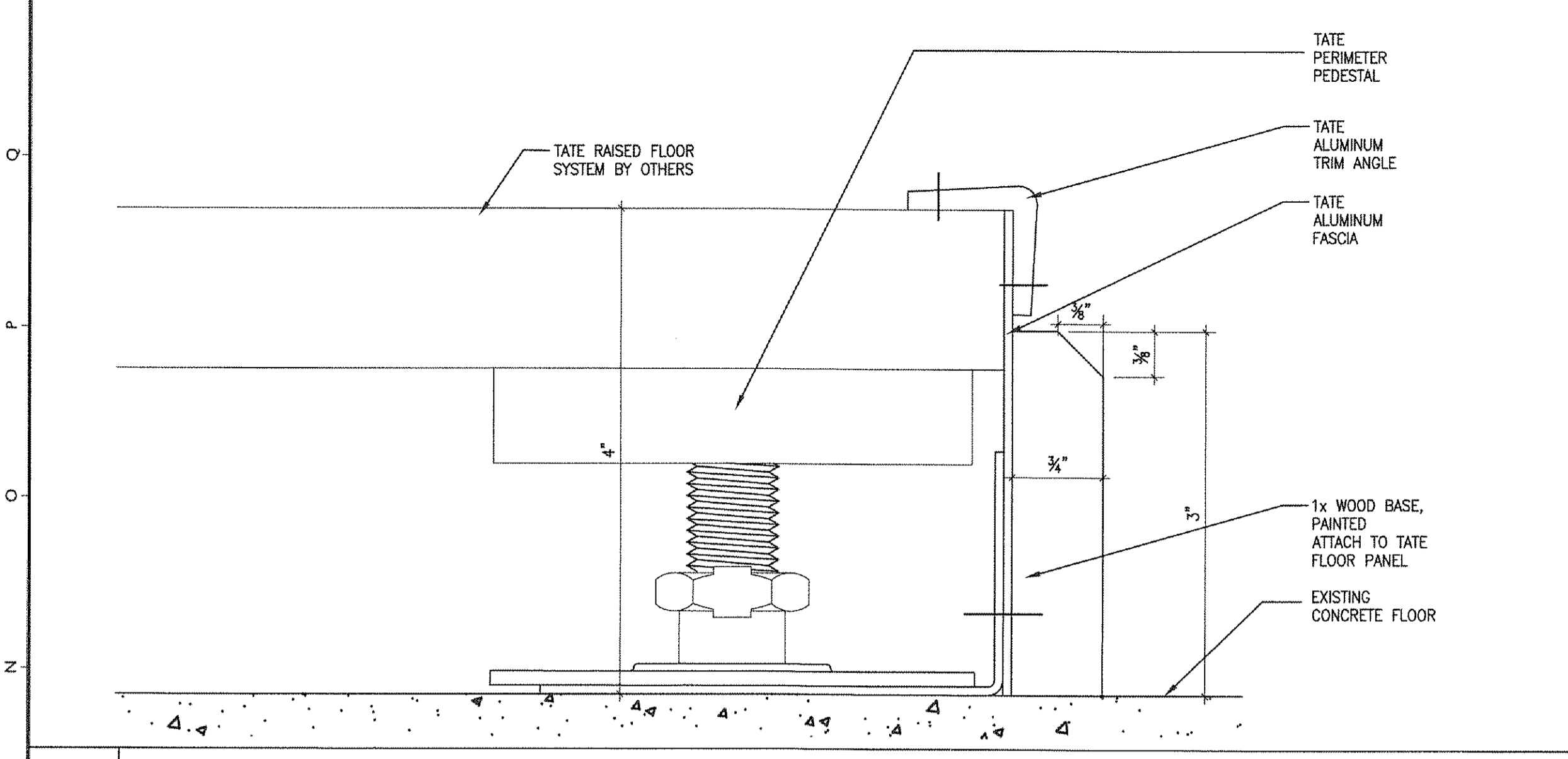
© COPYRIGHT 1985-2008
 REPRODUCTION OR RISE OF THIS
 DOCUMENT WITHOUT WRITTEN
 PERMISSION OF GAWRON TURGEON
 ARCHITECTS IS PROHIBITED.



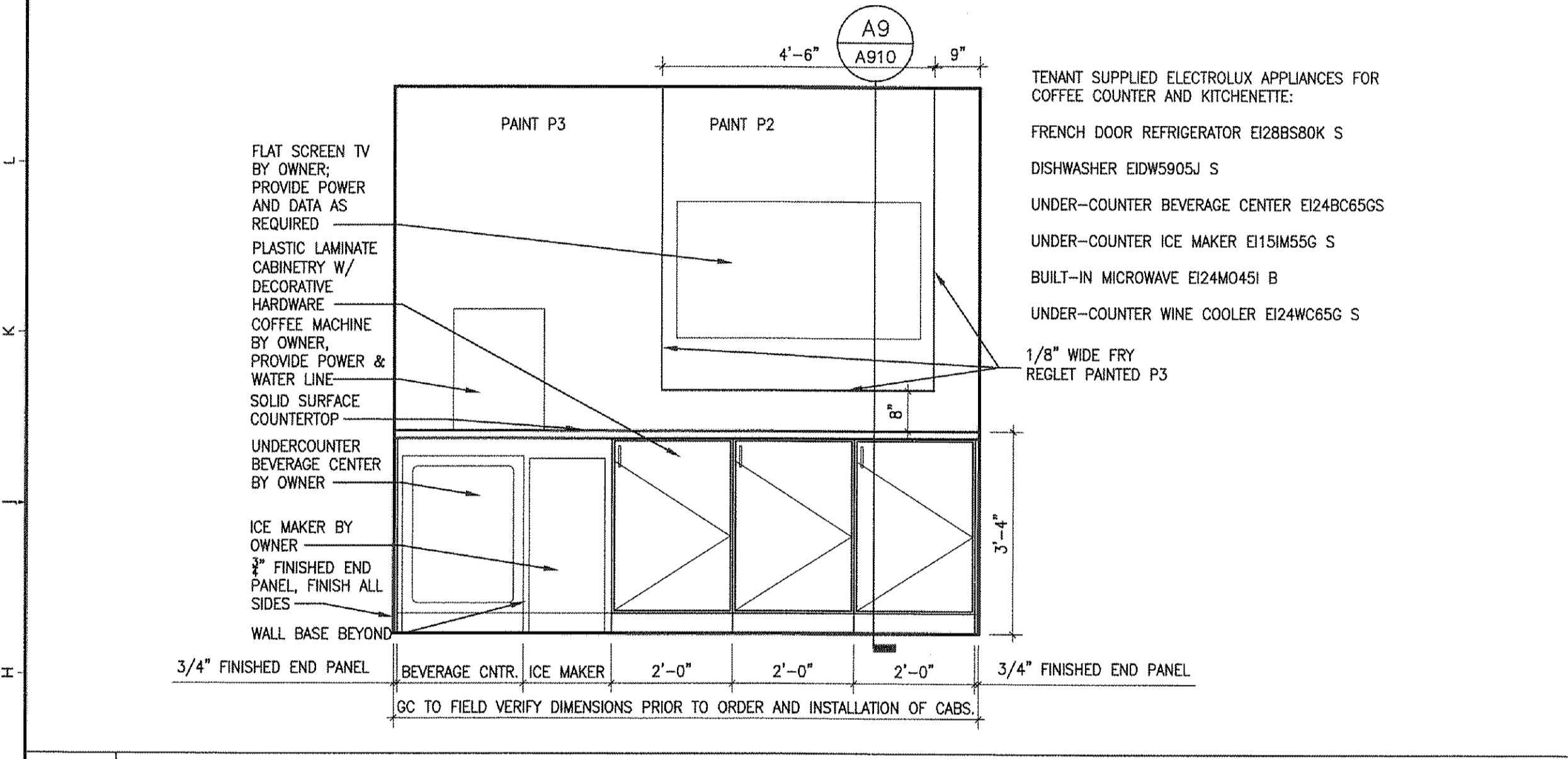
M9 SEATING/DISPLAY 112
 1/2"=1'-0"



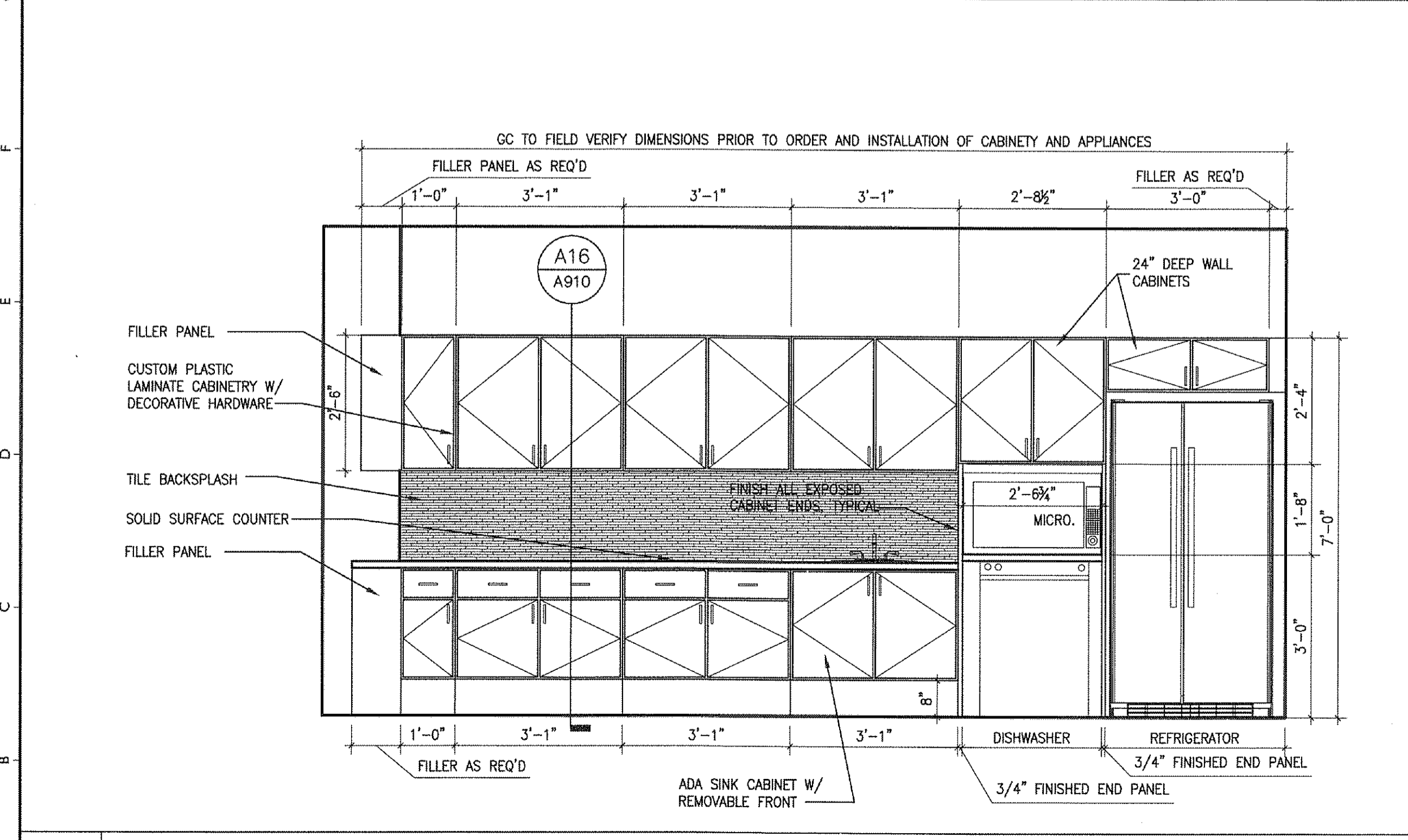
A9 COFFEE COUNTER DETAIL
 1/2"=1'-0"



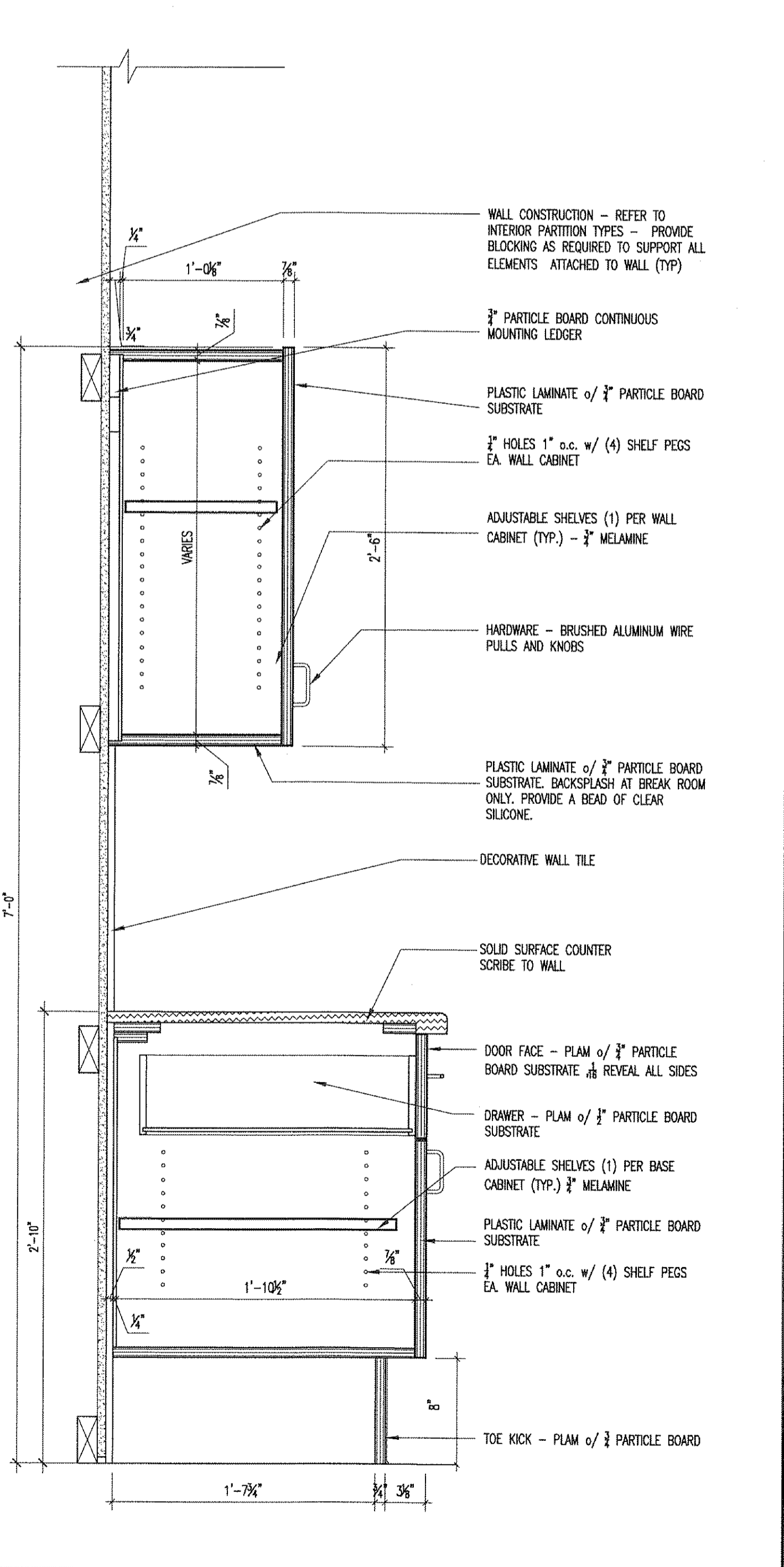
M1 WOOD BASE/RAISED FLOOR DETAIL
 FULL SCALE



G1 COFFEE COUNTER
 1/2"=1'-0"



A1 KITCHENETTE 106 ELEVATION
 1/2"=1'-0"



A16 CABINET DETAIL
 1/2"=1'-0"