

**HOOD INFORMATION - Job#1775954**

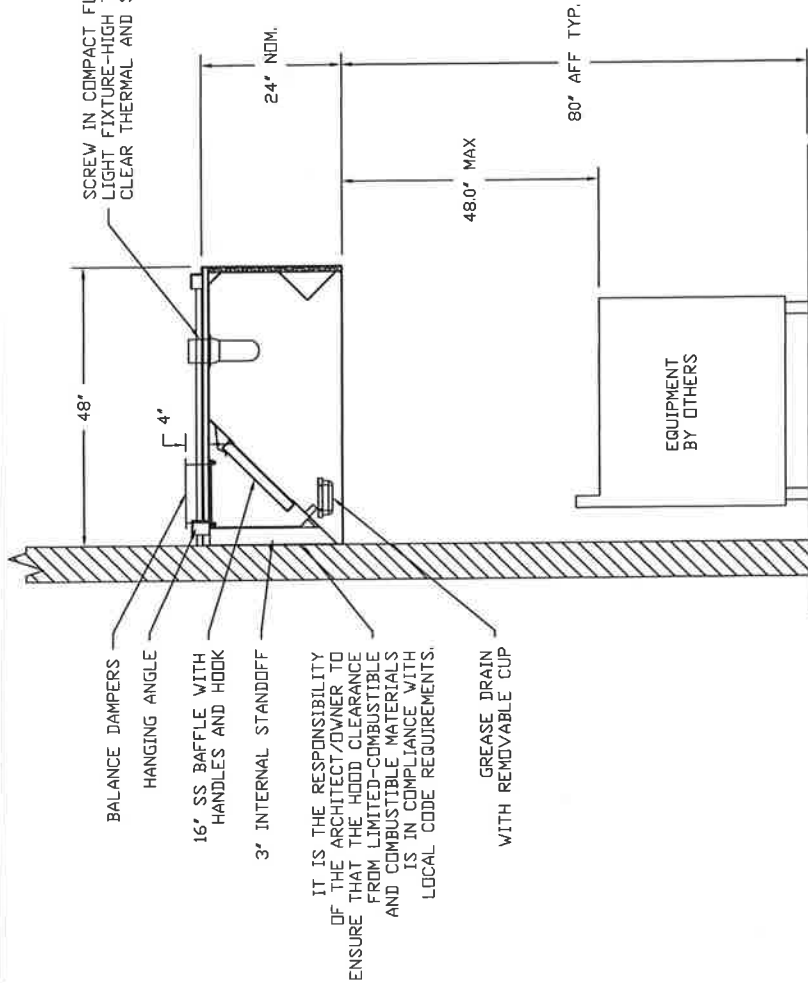
HOOD NO.	MODEL	LENGTH	MAX. COOKING TEMP.	EXHAUST PLENUM RISER(S)		HOOD CONSTRUCTION		HOOD CORNICE
				TOTAL EXH. CFM	WIDTH DIA.	CONSTRUCTION	END TO END	
1	4824 ND-2	4' 0.00'	600 Deg	1100	10"	430 SS Where Exposed	ALDNE	ALDNE

**HOOD INFORMATION**

HOOD NO.	TYPE	QTY.	HEIGHT	LENGTH	LIGHTS(S)		UTILITY CABINETS(S)		FIRE SYSTEM	FIRE SYSTEM PIPING	SWITCHES QUANTITY	HOOD HANGING WGT
					TYPE	QTY.	MODEL #	SIZE				
1	SS Baffle with Handles	3	16"	16"	2	Screw In Compact	ND	ND	ND	ND	210 LBS	

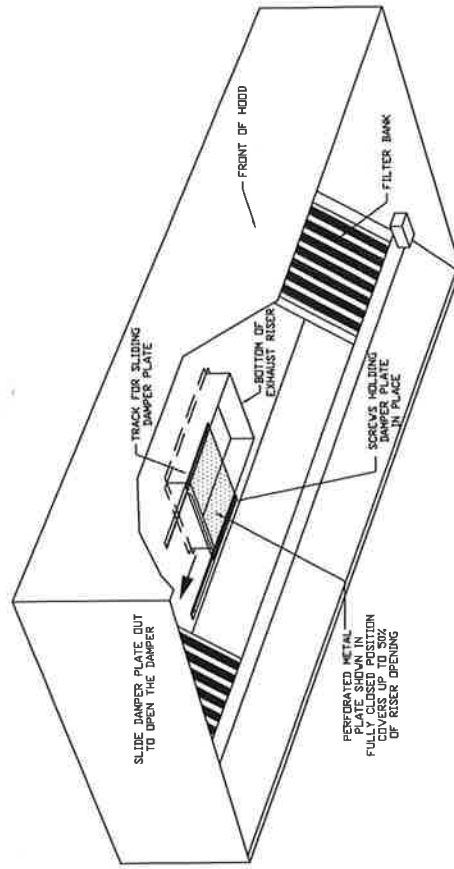
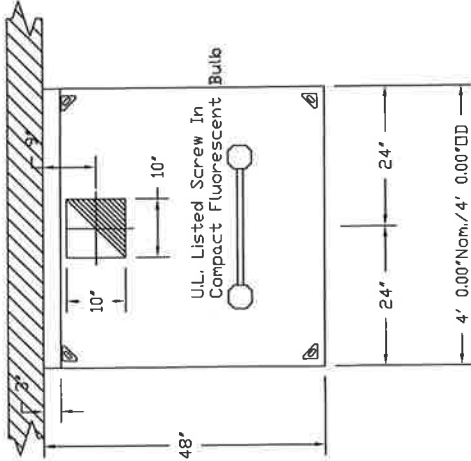
**HOOD OPTIONS**

HOOD NO.	OPTION
1	BALANCE DAMPERS



SCREW IN COMPACT FLUORESCENT BULB, INCANDESCENT LIGHT FIXTURE-HIGH TEMP ASSEMBLY, INCLUDES CLEAR THERMAL AND SHOCK RESISTANT GLOBE

PLAN VIEW - Hood #1  
4' 0.00" LONG 4824ND-2



BALANCING DAMPER DETAIL

SECTION VIEW - MODEL 4824ND-2  
HOOD - #1

CUSTOMER APPROVAL TO MANUFACTURE:

Approved as Noted

Approved with ND Exception Taken

Revise and Resubmit

SIGNATURE \_\_\_\_\_ Date \_\_\_\_\_

Your Title \_\_\_\_\_



**CAPTIVEAIRE**

JOB One City Center - City Deli	
LOCATION PORTLAND, ME	JOB # 1775954
DATE 6/13/2013	DRAWN BY BFC-21
DWG # 1	REV.
SCALE 3/8" = 1'-0"	