

29 BLACK POINT ROAD  
SCARBOROUGH, MAINE 04074  
207-883-6307  
WWW.GAWRONTURGEON.COM

**GAWRON  
TURGEON**  
ARCHITECTS

ELEVENTH FLOOR  
ONE CITY CENTER  
PORTLAND, MAINE

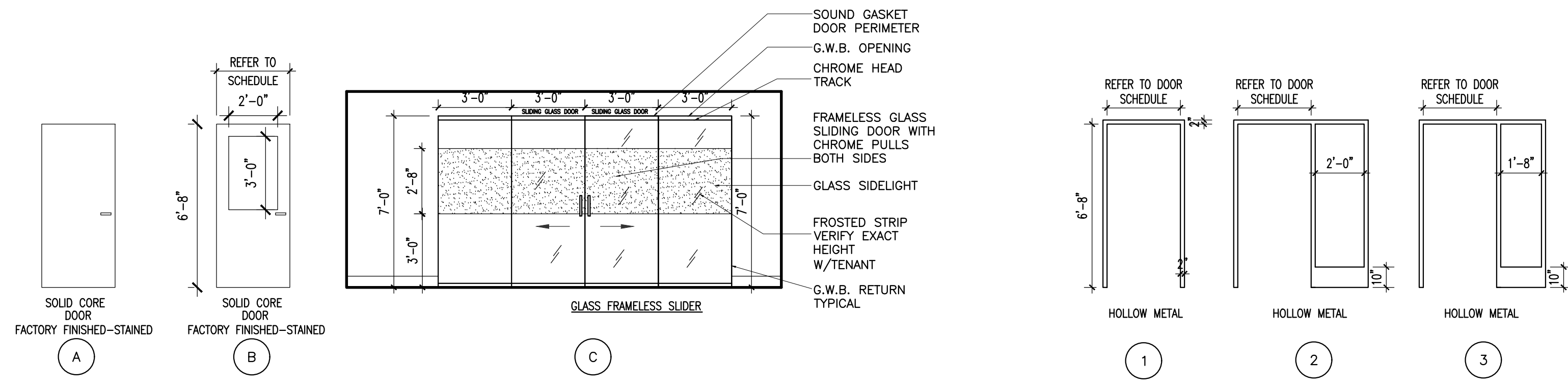
REVISIONS		
#	DATE	DESCRIPTION

DATE:	10-04-16
PROJECT #:	120715
DRAWN BY:	DLP
CHECKED BY:	MET
DRAWING SCALE:	AS NOTED

SHEET TITLE  
DOOR SCHEDULE  
DOOR/FRAME TYPES  
DETAILS

**A400**

© COPYRIGHT 1985-2008  
REPRODUCTION OR REUSE OF THIS  
DOCUMENT WITHOUT WRITTEN  
PERMISSION OF GAWRON TURGEON  
ARCHITECTS IS PROHIBITED.

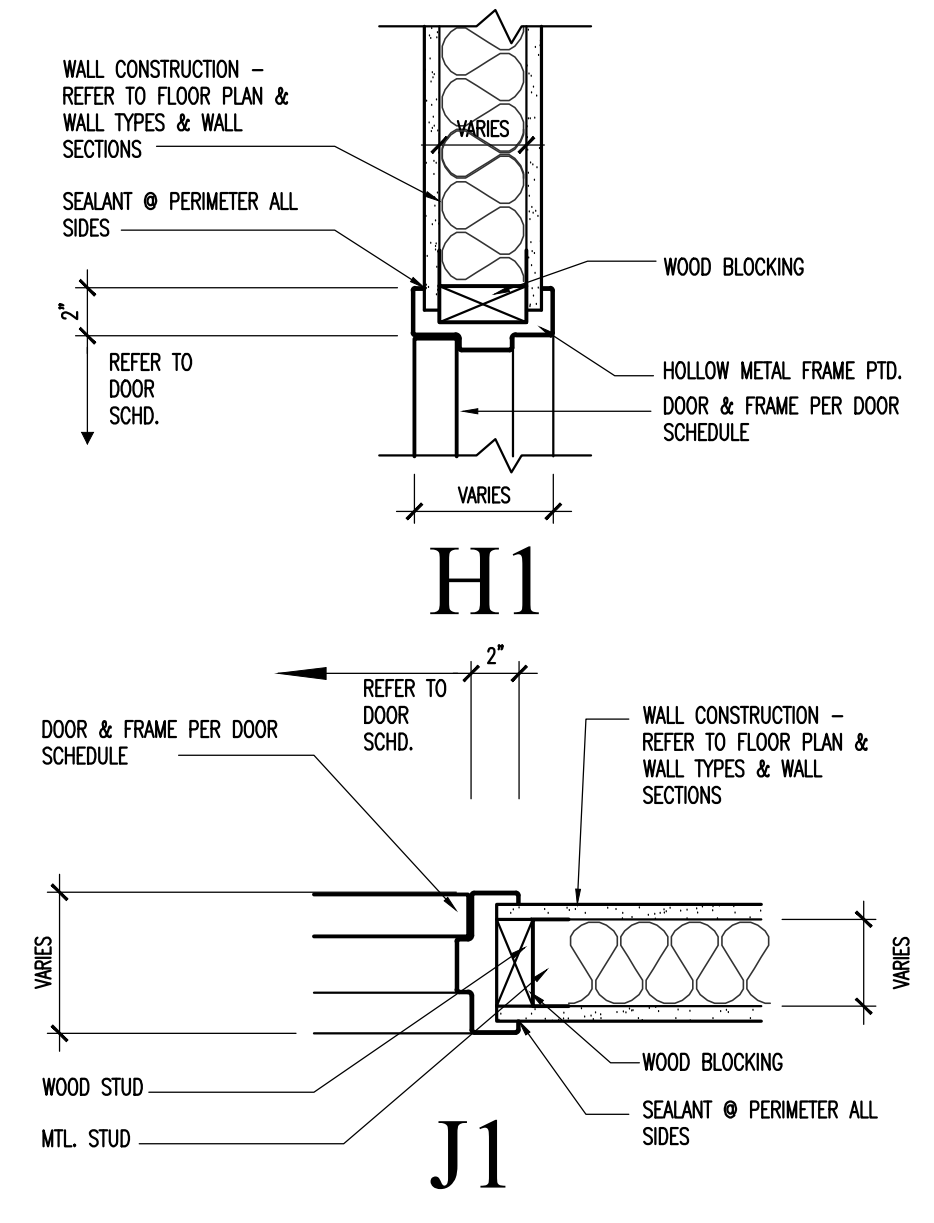


**NI DOOR / FRAME TYPES**

1/4"=1'-0"

DOOR SCHEDULE																
DOOR SCHEDULE ABBREVIATIONS																
EHO	ELECTRO. HOLD OPENER	NO	NUMBER	WD	WOOD (SOLID)											
HM	HOLLOW METAL	ES	ELECTRIC STRIKE	WG	WIRE GLASS											
INS	INSULATE	TEMP	TEMPERED	S	STAIN											
AL	ALUMINU	THK	THICKNESS	PTD	PAINT											
DOORS							FRAMES				THRESHOLD					
NO	TYPE	SIZE	THK.	HDWR SET	FINISH	MAT.	REMARKS	TYPE	MAT.	HEAD	JAMB	REMARKS	RATING	MAT.	DETAILS	NO
															SILL	HEIGHT
1100	ETR															
1101	NOT USED															
1102	A	3'-0"x6'-8"	1 3/4"	-	S	WD	CLOSER, KICK PLATE, DOOR PULL	1	HM	H1	J1					
1103	C	SEE ELEVATION	1"	-	TEMP.	GLASS	TEMPERED GLASS DOOR PULLS BOTH SIDES, SOUND GASKET DOOR PERIMETER	SEE ELEV	AL							
1104	NOT USED															
1105	NOT USED															
1106	A	3'-0"x6'-8"	1 3/4"	-	S	WD		3	HM	H1	J1					
1107	A	3'-0"x6'-8"	1 3/4"	-	S	WD		2	HM	H1	J1					
1108	A	3'-0"x6'-8"	1 3/4"	-	S	WD		2	HM	H1	J1					
1109	A	3'-0"x6'-8"	1 3/4"	-	S	WD		2	HM	H1	J1					
1100	A	3'-0"x6'-8"	1 3/4"	-	S	WD		3	HM	H1	J1					
1111	A	3'-0"x6'-8"	1 3/4"	-	S	WD		2	HM	H1	J1					
1112	A	3'-0"x6'-8"	1 3/4"	-	S	WD		2	HM	H1	J1					
1113	A	3'-0"x6'-8"	1 3/4"	-	S	WD		2	HM	H1	J1					
1114	A	3'-0"x6'-8"	1 3/4"	-	S	WD		2	HM	H1	J1					
1115	A	3'-0"x6'-8"	1 3/4"	-	S	WD		2	HM	H1	J1					
1116	A	3'-0"x6'-8"	1 3/4"	-	S	WD		2	HM	H1	J1					
1117	A	3'-0"x6'-8"	1 3/4"	-	S	WD		2	HM	H1	J1					
1118	A	3'-0"x6'-8"	1 3/4"	-	S	WD		2	HM	H1	J1					
1119	A	3'-0"x6'-8"	1 3/4"	-	S	WD		2	HM	H1	J1					
1120	A	3'-0"x6'-8"	1 3/4"	-	S	WD		2	HM	H1	J1					
1121	A	3'-0"x6'-8"	1 3/4"	-	S	WD		2	HM	H1	J1					
1122	NOT USED															
1123	NOT USED															
1124	NOT USED															
1125	NOT USED															
1126	B	3'-0"x6'-8"	1 3/4"	-	S	WD		1	HM	H1	J1					
1127	A	3'-0"x6'-8"	1 3/4"	-	S	WD		1	HM	H1	J1					
1128	A	3'-0"x6'-8"	1 3/4"	-	S	WD		1	HM	H1	J1					
1129	A	3'-0"x6'-8"	1 3/4"	-	S	WD		1	HM	H1	J1					

- ALL HARDWARE TO MATCH EXISTING - W/ LEVER TYPE HANDLE
- PROVIDE BLOCKING FOR ALL HARDWARE
- ALL WOOD DOORS TO HAVE FACTORY FINISH - COLOR SELECTED BY TENANT
- COORDINATE HARDWARE WITH TENANT



**AI DOOR SCHEDULE**

**AI3 HEAD/JAMB DETAIL**

1 1/2"=1'-0"