

29 BLACK POINT ROAD  
SCARBOROUGH, MAINE 04074  
207-883-6307  
WWW.GAWRONTURGEON.COM

**GAWRON  
TURGEON**  
ARCHITECTS

**ELEVENTH FLOOR  
ONE CITY CENTER  
PORTLAND, MAINE**

**REVISIONS**

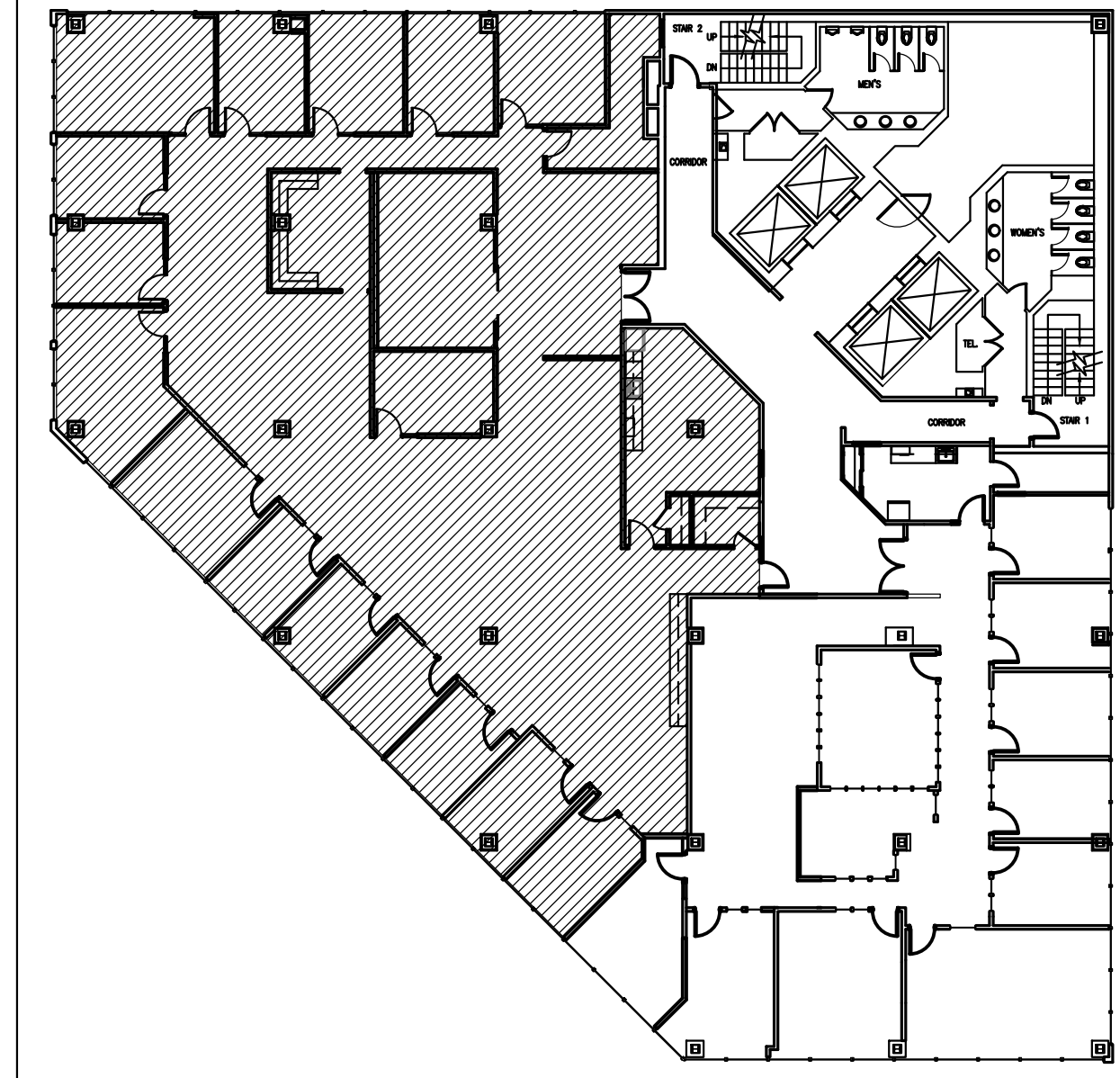
#	DATE	DESCRIPTION

DATE:	10-04-16
PROJECT #:	120715
DRAWN BY:	DLP
CHECKED BY:	MET
DRAWING SCALE:	AS NOTED

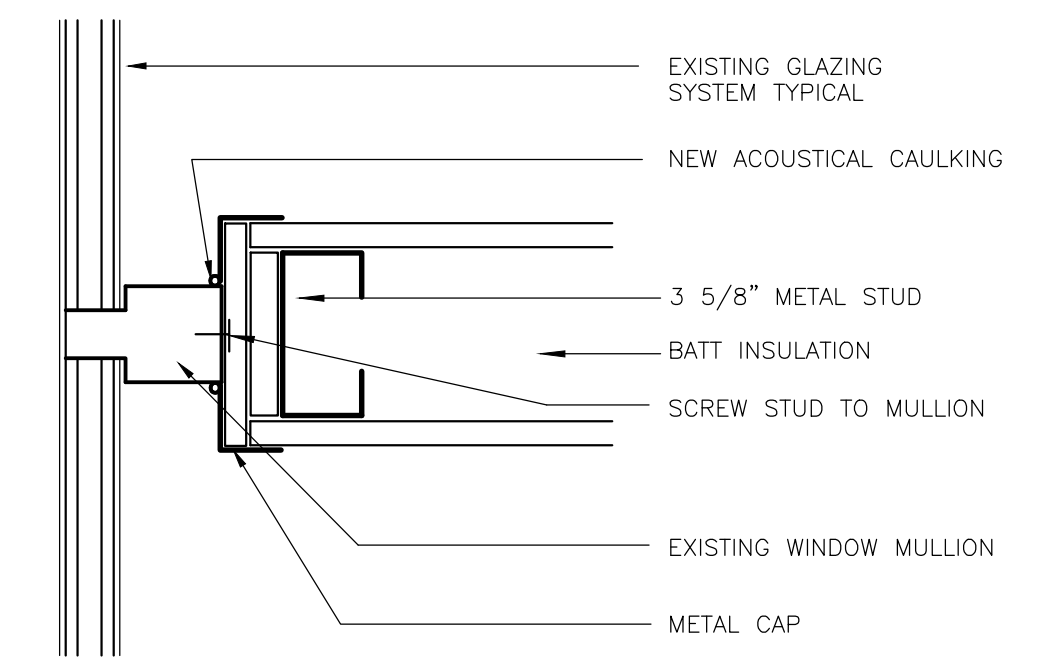
**SHEET TITLE**  
ELEVENTH FLOOR  
PLAN / PARTITION TYPES  
KEY PLAN  
DETAIL

**A100**

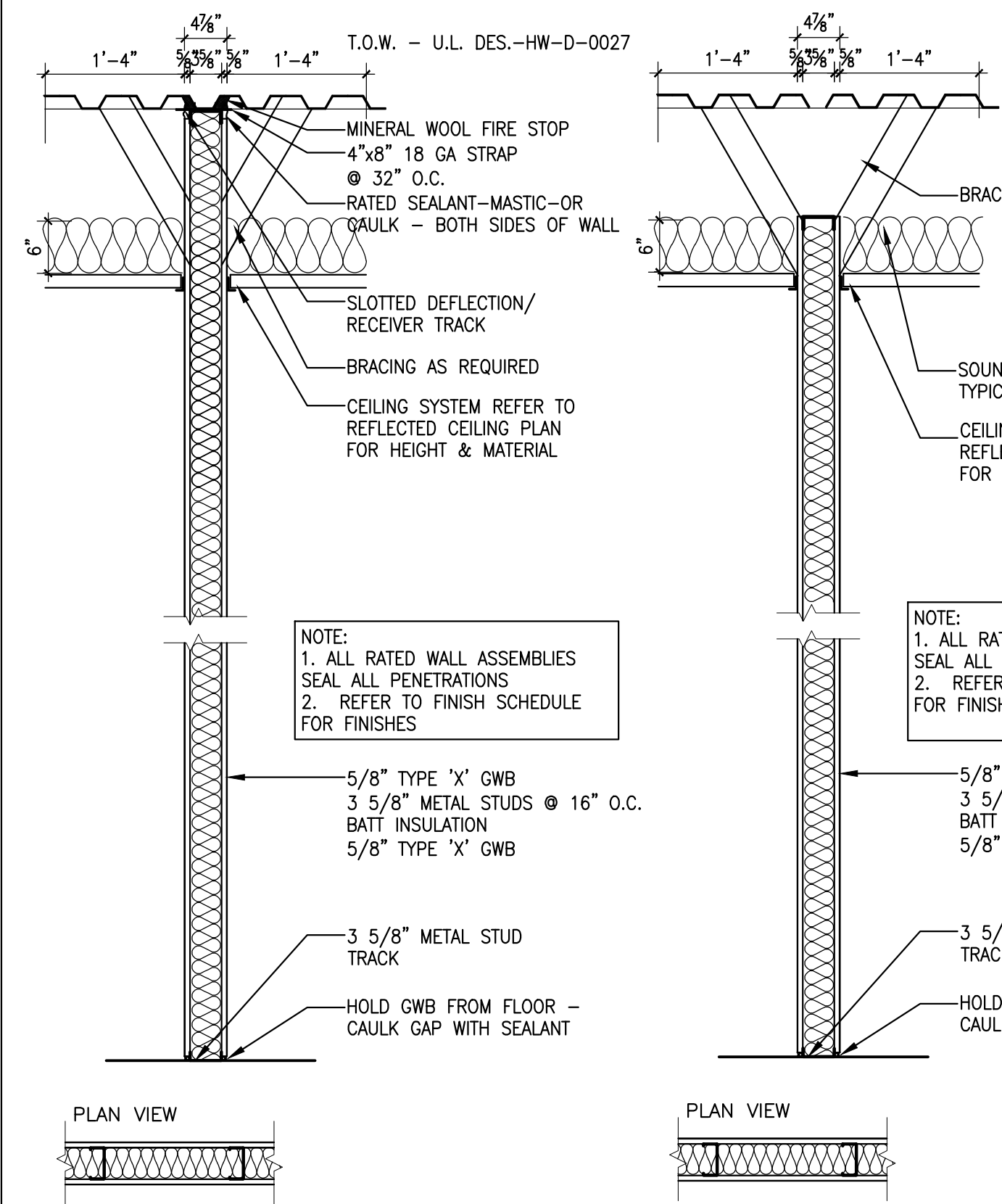
© COPYRIGHT 1985-2008  
REPRODUCTION OR USE OF THIS  
DOCUMENT WITHOUT WRITTEN  
PERMISSION OF GAWRON TURGEON  
ARCHITECTS IS PROHIBITED.



**K17 KEY PLAN - EXTENT OF WORK**  
NTS

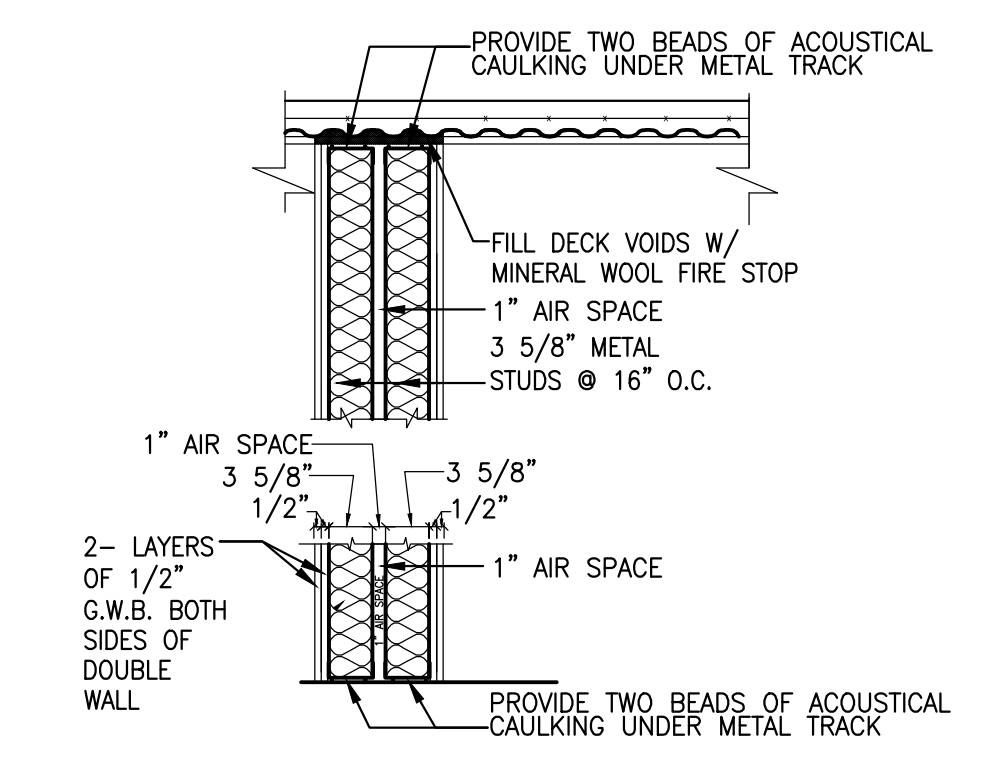


**K12 WALL/MULLION DETAIL**  
3/4"=1'-0"

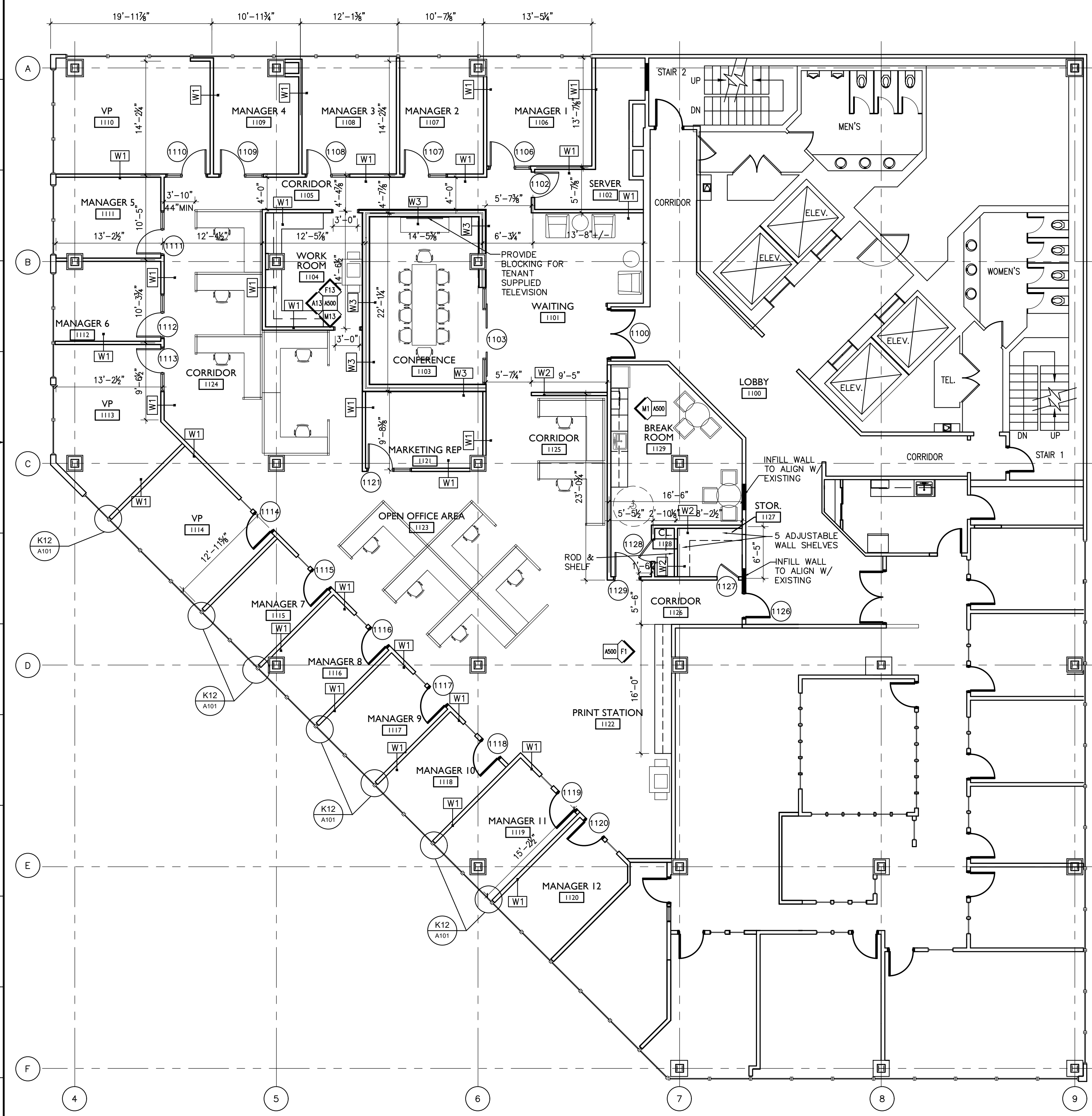


**W1 WALL DETAIL (1HR RATED)**  
U.L. DES: U465 SCALE 3/4"=1'-0"

**W2 WALL DETAIL (NON RATED)**  
SCALE 3/4"=1'-0"



**W3 WALL DETAIL (NON RATED)**  
SCALE 3/4"=1'-0"



**A1 ELEVENTH FLOOR PLAN - LINCOLN FINANCIAL**  
1/8"=1'-0"

**A12 PARTITION TYPES**  
3/4"=1'-0"