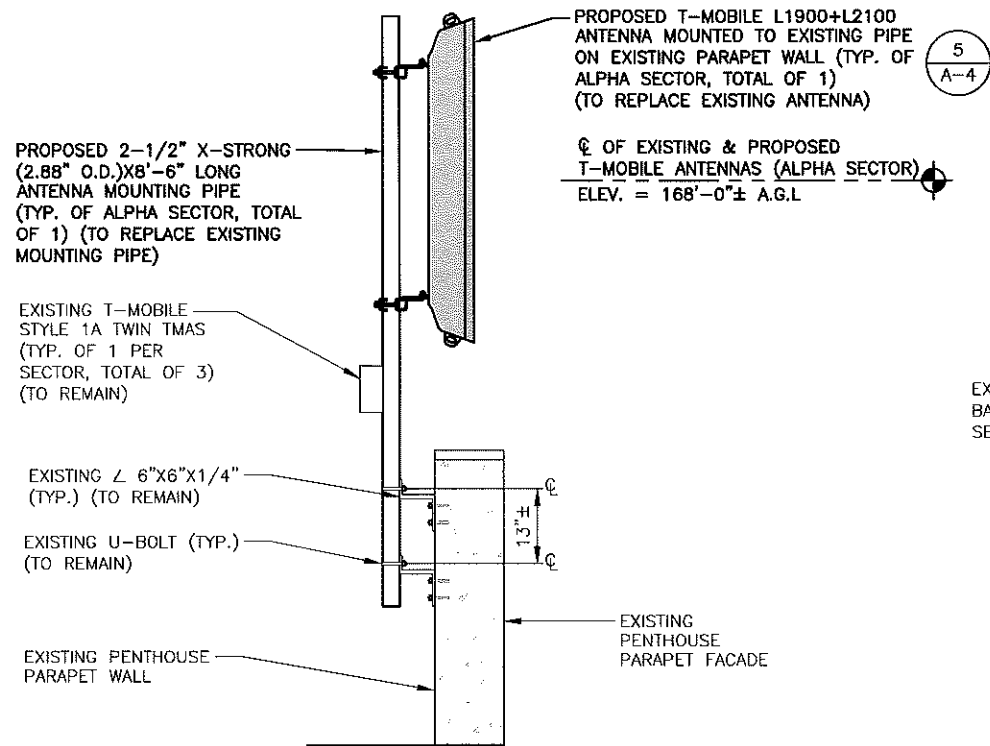


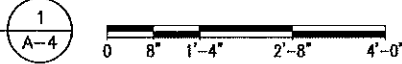
STRUCTURAL NOTES:
 PRIOR TO COMMENCING CONSTRUCTION, GC SHALL REFER TO STRUCTURAL ANALYSIS PROVIDED BY HDG, DATED: OCTOBER 11, 2016 TO DETERMINE IF THERE ANY SUPPLEMENTAL OR SPECIAL INSTALLATION REQUIREMENTS, OR RELOCATION ARRANGEMENTS.

NOTE:
 REFER TO THE FINAL RF DATA SHEET FOR FINAL ANTENNA SETTINGS.



**L1900+L2100 ANTENNA MOUNTING
 DETAIL (ALPHA SECTOR)**

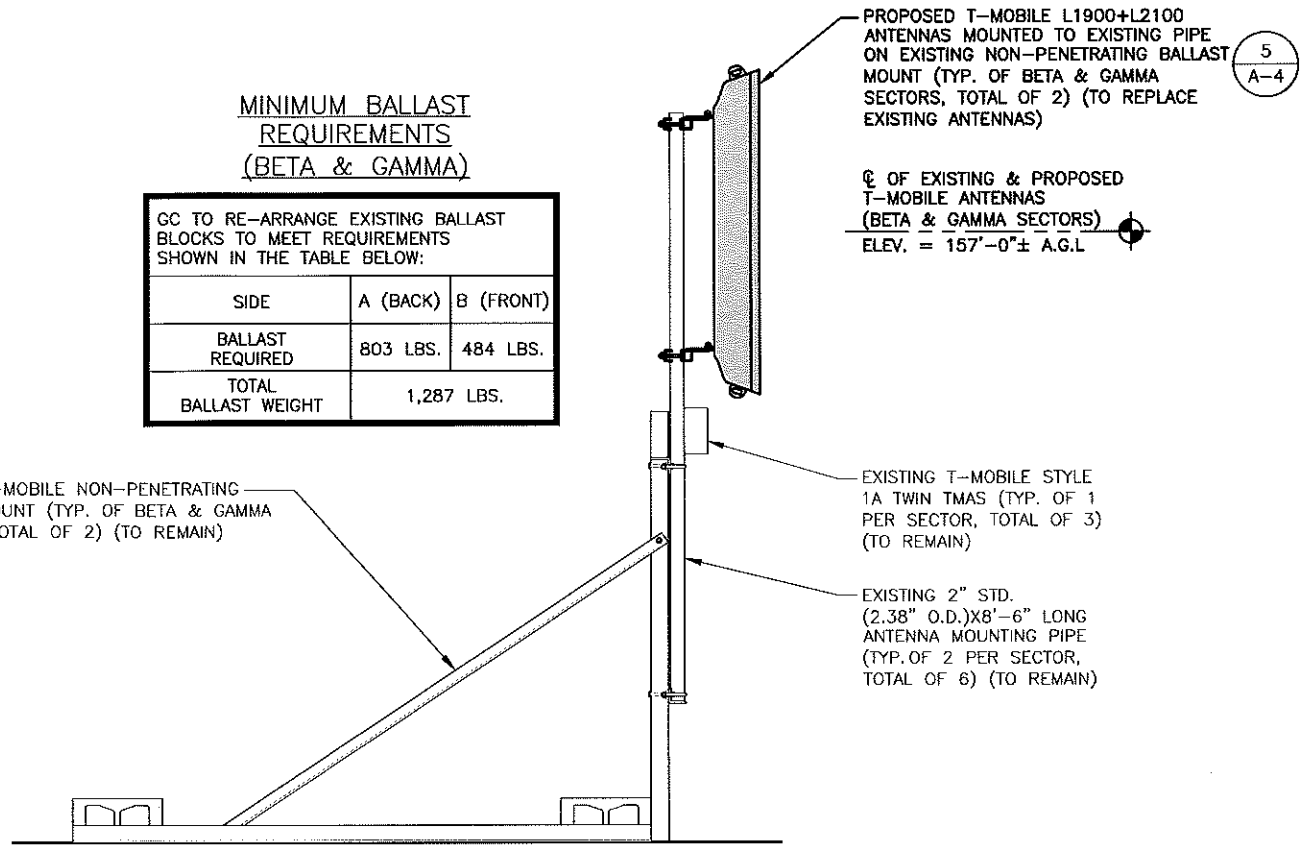
22x34 SCALE: 3/4"=1'-0"
 11x17 SCALE: 3/8"=1'-0"



**MINIMUM BALLAST REQUIREMENTS
 (BETA & GAMMA)**

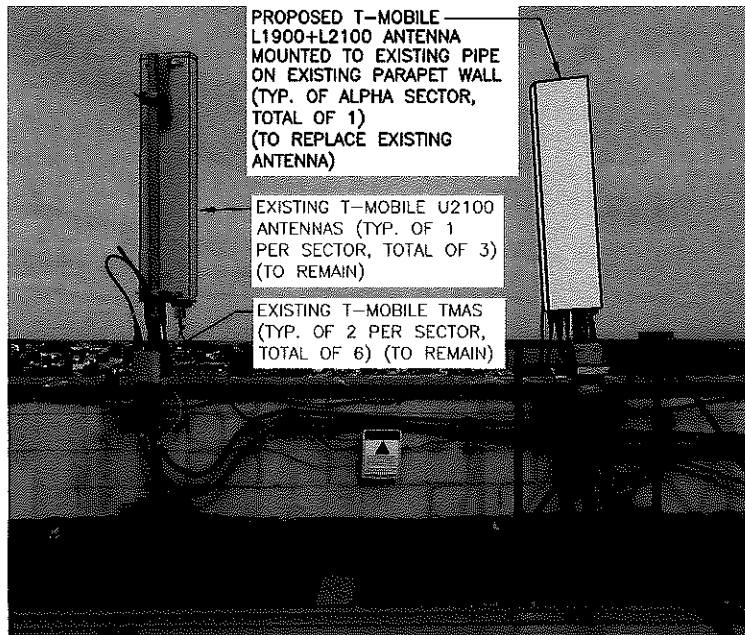
GC TO RE-ARRANGE EXISTING BALLAST BLOCKS TO MEET REQUIREMENTS SHOWN IN THE TABLE BELOW:		
SIDE	A (BACK)	B (FRONT)
BALLAST REQUIRED	803 LBS.	484 LBS.
TOTAL BALLAST WEIGHT	1,287 LBS.	

EXISTING T-MOBILE NON-PENETRATING BALLAST MOUNT (TYP. OF BETA & GAMMA SECTORS, TOTAL OF 2) (TO REMAIN)



**L1900+L2100 ANTENNA MOUNTING
 DETAIL (BETA & GAMMA SECTORS)**

22x34 SCALE: 3/4"=1'-0"
 11x17 SCALE: 3/8"=1'-0"



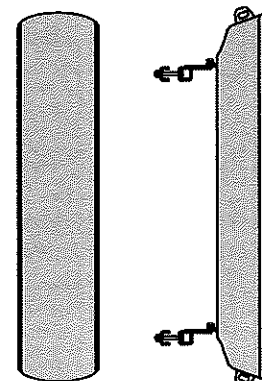
**T-MOBILE ELEVATION PHOTO
 DETAIL (ALPHA SECTOR)**

SCALE: N.T.S.



**T-MOBILE ELEVATION PHOTO
 DETAIL (BETA & GAMMA SECTORS)**

SCALE: N.T.S.



L2100 ANTENNA DETAIL

SCALE: N.T.S.

**L2100 ANTENNA
 DIMENSIONS**

MODEL #	AIR21 B4A/B2P
MANUF.	ERICSSON
WIDTH	12.1"
DEPTH	7.9"
HEIGHT	56"
WEIGHT	96 LBS

**T-MOBILE
 NORTHEAST LLC**

15 COMMERCE WAY, SUITE 8
 NORCON, MA 02766
 OFFICE: (508) 286-2700
 FAX: (508) 286-2893

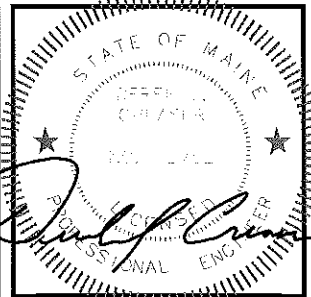


95 RYAN DRIVE #1
 RAYNHAM, MA 02767

**Hudson
 Design Group**

1600 OSGOOD STREET
 BUILDING 20 NORTH, SUITE 309D
 N. ANDOVER, MA 01845

TEL: (978) 557-5553
 FAX: (978) 336-5585



CHECKED BY: RP

APPROVED BY: DJC

SUBMITTALS

REV.	DATE	DESCRIPTION	BY
1	10/17/16	ISSUED FOR CONSTRUCTION	VP
0	10/07/16	ISSUED FOR REVIEW	VP

SITE NUMBER:
 4DN2284B
 SITE NAME:
 ME284/1 CITY
 CENTER
 SITE ADDRESS:
 1 CITY CENTER
 PORTLAND, ME 04101
 CUMBERLAND COUNTY

SHEET TITLE
 DETAILS
 (L2100)

SHEET NUMBER
A-4